



ronde™

Ronde Series Direct LED Luminaire

Client: _____
Project Name: _____

Order #: _____
Type: _____ Qty: _____

Performance Data

CRI
80+

CCT
3000K, 3500K, 4000K, 5000K

Projected Lifetime

133,000 Hours (L70);
84,000 Hours (L80)

Dimming

0-10V Dimming Standard

Operating Temperature

-30° to +45°C Ambient



10 Yr Warranty Including Labor	USA Buy American Act Compliant
---	---

Description

The Ronde Direct interior architectural luminaire gives you the choice of form and mounting. Surface or pendant mounted, the Ronde will create an effect that will enhance the aesthetic of any space. The Ronde features a minimalist, modern design and is best suited for offices, lobbies, retail, schools, libraries, and themed spaces.

Features

PERFORMANCE

- Delivers up to 21,000 lumens
- Up to 90 lumens per watt
- 120-277V Universal Driver
- Power Factor > 0.90; THD < 20%

PHYSICAL

- Available in 14" to 5' diameters
- White acrylic diffuser lens provides soft, ambient illumination
- Housing is two-piece, die-formed, spun aluminum
- Gloss or Textured White finishes standard, custom colors available
- Fixture is to be suspended by aircraft cables, top-swivel stems or surface-mounted



Ordering Information

A FIXTURE SERIES

RND Ronde Direct Series

B SIZE

1	14"
2	2'
3	3'
4	4'
5	5'

C OUTPUT⁴

L	Low
M	Mid
H	High

D CCT

30	3000K
35	3500K
40	4000K
50	5000K

E VOLTAGE

U 120-277V

F LENS TYPE

W White Acrylic Diffuser

G MOUNTING STYLE

SU	Surface
Cx ^{2,3}	Straight Cable
Px ²	Mono-Point Cable
Sx ²	Stem

H FINISH

M	Matte White
G	Gloss White
C	Custom ¹

I OPTIONS

E	Emergency
K	Control Scope Connected

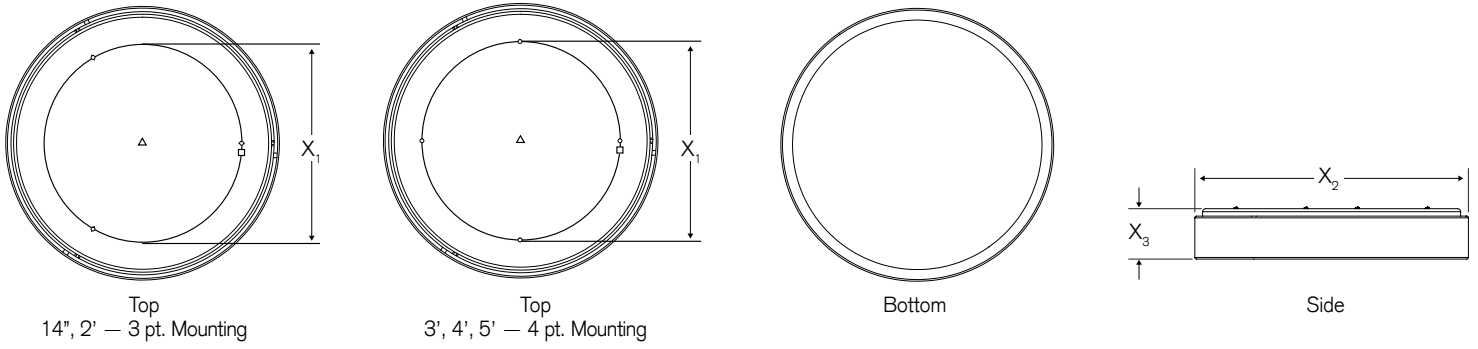
¹ Contact factory regarding custom finishes and lead times

² "x" is a variable, see mounting abbreviation on Page 3

³ Not available on 14" size, consult factory for more info

⁴ Please reference Page 3 for list of output abbreviations for each fixture size

Dimensions



	14"	2'	3'	4'	5'
Mounting, X₁	10.3"	19.0"	26.0"	36.0"	47.0"
Diameter, X₂	14.0"	26.3"	36.2"	47.2"	59.0"
Height, X₃	3.7"	4.8"	4.8"	5.1"	5.2"
Weight (lbs)	10	45	70	90	110

Key	
△	Power Feed for Mono, Surface, Stem
□	Power Feed for Straight Cable
○	Mounting

Photometrics

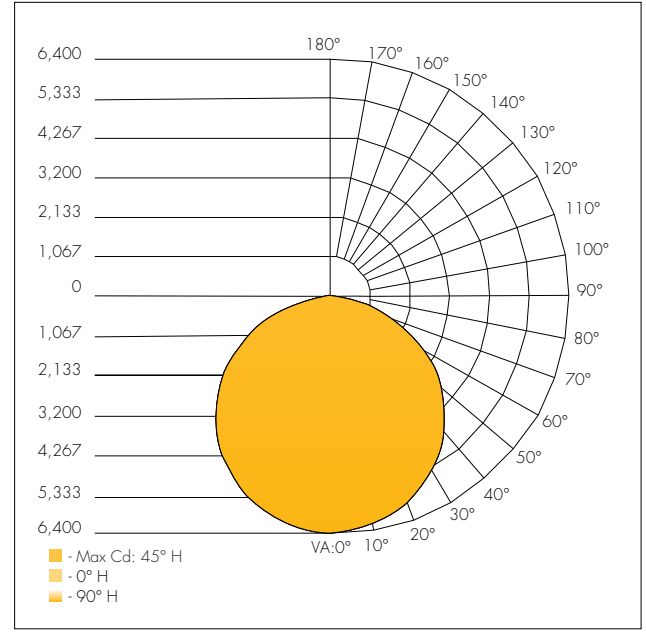
Coefficients of Utilization
 Effective Floor Cavity Reflectance: 20%
 RCC %:

RW %:	80				70				50				30				10				0
RCR: 0	1.19	1.19	1.19	1.19	1.16	1.16	1.16	1.00	1.11	1.11	1.11	1.06	1.06	1.06	1.02	1.02	1.02	1.00	1.00		
1	1.09	1.04	1.00	.96	1.06	1.02	.98	.85	.97	.94	.91	.94	.91	.89	.90	.88	.86	.84	.84		
2	.99	.91	.84	.78	.96	.89	.82	.71	.85	.80	.75	.82	.77	.73	.79	.75	.72	.70	.70		
3	.90	.79	.71	.65	.87	.78	.70	.60	.75	.68	.63	.72	.66	.62	.69	.65	.61	.58	.58		
4	.82	.70	.61	.55	.80	.69	.61	.52	.66	.59	.53	.64	.58	.53	.62	.56	.52	.50	.50		
5	.76	.63	.54	.47	.73	.61	.53	.45	.59	.52	.46	.57	.51	.46	.56	.50	.45	.43	.43		
6	.70	.56	.47	.41	.68	.55	.47	.39	.54	.46	.40	.52	.45	.40	.50	.44	.40	.37	.37		
7	.65	.51	.42	.36	.63	.50	.42	.35	.49	.41	.36	.47	.40	.35	.46	.40	.35	.33	.33		
8	.60	.47	.38	.32	.59	.46	.38	.31	.44	.37	.32	.43	.36	.32	.42	.36	.31	.29	.29		
9	.56	.43	.34	.29	.55	.42	.34	.28	.41	.34	.29	.40	.33	.28	.39	.33	.28	.26	.26		
10	.53	.39	.31	.26	.51	.39	.31	.26	.38	.31	.26	.37	.30	.26	.36	.30	.26	.24	.24		

Zonal Lumen Summary

Zone	Lumens	%Luminaire
0-30	4,952.6	26.9%
0-40	8,142.7	44.2%
0-60	14,526.0	78.9%
50-90	3,893.0	21.1%
70-100	1,573.7	8.5%
90-120	0.000	0.5%
0-90	18,419.1	100%
90-180	0.000	0.5%
0-180	18,419.1	100%

RND: 5', High Output, 3500K



Delivered Lumens: 18,419
 CRI: 82

Wattage/Lumen Output Chart:

OUTPUT SELECTION	LOW	MID	HIGH
14"			
Abbreviation	AW	A1	BG
Nominal Wattage	20	25	40
Actual Wattage	19	25	40
Delivered Lumens	1520	2000	3200

2'			
Abbreviation	BG	BX	CN
Nominal Wattage	40	55	80
Actual Wattage	39	55	81
Delivered Lumens	3120	4400	6480

3'			
Abbreviation	CN	C8	DU
Nominal Wattage	80	100	120
Actual Wattage	80	101	119
Delivered Lumens	6400	8080	9520

OUTPUT SELECTION	LOW	MID	HIGH
4'			
Abbreviation	DP	E0	GG
Nominal Wattage	115	160	210
Actual Wattage	115	157	211
Delivered Lumens	9200	12560	16880

5'			
Abbreviation	F6	G7	HY
Nominal Wattage	200	235	260
Actual Wattage	203	235	259
Delivered Lumens	16240	18800	20720

Lumen outputs shown are for 4000K. For other color temps, use the lumen factors below:

- 5000K: 1.10
- 4000K: 1.00
- 3500K: 0.90
- 3000K: 0.85

Mounting Length Options:

STRAIGHT CABLE

ABBREV.	LENGTH
CA	24"
CB	48"
CD	60"
CF	72"
CG	96"
CH	120"
CJ	150"
CK	180"
CL	240"

MONO-POINT CABLE

ABBREV.	LENGTH
PA	24"
PB	48"
PD	60"
PF	72"
PG	96"
PH	120"
PJ	150"
PK	180"
PL	240"

STEM

ABBREV.	LENGTH
SF	12"
SH	18"
SK	24"
SN	36"
SQ	48"
SS	60"
SV	72"
SZ	96"

Mounting Options



Straight Cable

Mono-Point Cable

Stem