



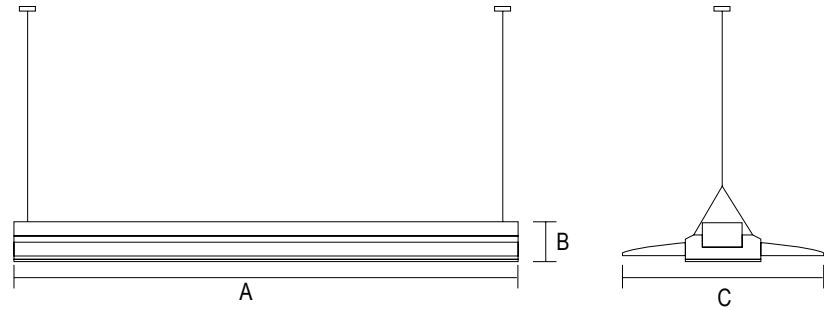
DECO LIGHTING

ARES-LED

Ares Direct/Indirect LED Lighting

Job Information

Type:	
Catalog #:	
Project:	
Comments:	
Prepared by:	



A	B	C
48"	2"	13.62"



Description

The Ares series suspended direct/indirect LED luminaire features a smooth, flat profile with dual lensed light panels, aluminum construction, with an open space. The aesthetically pleasing Ares is best suited for open offices, conference rooms, reception areas, educational facilities and public spaces. Delivering a 60% direct/40% indirect distribution, the Ares will enhance and upgrade the look and feel of any interior space.

Ordering Information

Example: (ARES-LED-50-35-UNV-CF-DM)

ARES-LED

Series	Wattage/ Lumen	Color Temp.	Voltage	Mounting	Options
Ares Direct/Indirect LED Lighting	50 50W/2764 ¹	30 3000K 35 3500K 40 4000K	UNV 120-277V	Cx Mounting Cable (x= see page 2 for length)	DM 0-10V Dimming

¹Delivered Lumens (4000K)



Deco Lighting practices a program of continuous product development, and as a result product specifications change frequently. We reserve the right to change product specifications without notice. Contact Deco for the latest product information.

©2017 Deco Lighting, www.getdeco.com T: (800) 613-DECO F: (310) 366-6855
Rev Date: 7/17/17 #2

Digitize your light.®

Features

- Construction**
 Aluminum construction, with dual lensed light panels and a smooth flat profile. The end caps are made of aluminum die casted alloy.
- Reflectors**
 99% pure aluminum inside reflector, up to 60% of uplight and 40% of down light are emitted.
- Diffuser**
 Semitransparent linear prismatic PMMA diffuser.
- Mounting**
 A square power entry canopy, featuring a suspension system with coated steel wires and a safe height adjustment system—optimal for all types of ceiling options.
- Electrical**
 0-10V dimming optional

Performance Data

CRI:	82
CCT:	3000K, 3500K, 4000K
Warranty:	10 yr. Limited Warranty
Dimming:	Available with 0-10V inputs dimming down to 10%
Operating Temperature:	-30° to +50°C Max Ambient
L70 Rating @ 25°C Ambient Temp:	100,000+ Hours
Power Factor:	>0.95
Total Harmonic Distortion (THD):	<10%

Mounting Cable Lengths

CA	24" Cable
CB	48" Cable
CD	60" Cable
CF	72" Cable
CG	96" Cable
CH	120" Cable
CJ	150" Cable
CK	180" Cable
CL	240" Cable