



Bullet

IP65 Bullet Highbay

Client: _____
Project Name: _____

Order #: _____
Type: _____ Qty: _____

Performance Data

CRI
80+

CCT
3000K, 3500K, 4000K, 5000K

Projected Lifetime
100,000+ Hours (L70)

Dimming
Available with 0-10V inputs
dimming down to 10%

Operating Temperature
-30°C to +50°C Ambient

UL Listed
Approved for dry and damp
locations



UL Listed	10 Yr Warranty Including Labor	USA Buy American Act Compliant
---------------------	---	---

Description

Dramatic design, innovative new Bullet High Bay luminaire is sealed and weatherproof, IP65 rated for indoor and outdoor applications, including hosed down areas. Bullet is a distinctive architectural solution for commercial interiors with high open ceilings, including atriums, lobbies, auto dealership showrooms, convention centers, supermarkets, retail stores, restaurants, and airport terminals. With a sealed weatherproof design, the Bullet is suitable for exterior entrances of office buildings, hotels, condos and apartments, movie theaters, airport departure areas, canopies, outdoor markets and shopping centers.

Features

- High efficiency specular aluminum reflector for uniform symmetrical light distribution.
- Provides 100,000 hrs life, 50% energy savings, excellent color and system efficiency.
- Precision die-cast aluminum hosing with integral fins for efficient heat dissipation and long service life.
- Full gasketed die-cast aluminum lens frame with tamper proof fasteners.
- Clear impact resistant tempered glass lens.
- Integral O-ring for power hook or chain mounting.



Ordering Information

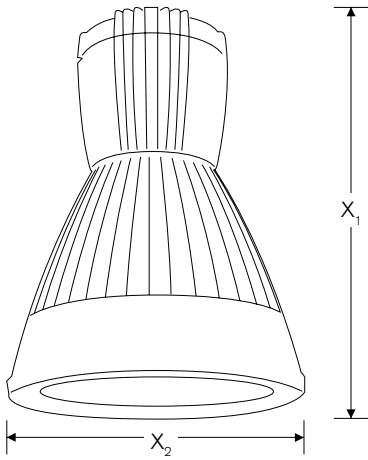
A FIXTURE SERIES	BLLT-LED	IP65 Bullet Highbay
B WATTAGE LUMENS	40	40W 4060 ¹
C CCT	30	3000K
	35	3500K
	40	4000K
	50	5000K

D VOLTAGE	UNV	120-277V
E MOUNTING	—	Standard
	P	Pendant
	A	Aircraft Cable

F OPTIONS	WSF	Wired Single Fuse
	WDF	Wired Double Fuse
	DM	Dimmable (0-10V)

¹ Delivered Lumens (5000K)

Dimensions

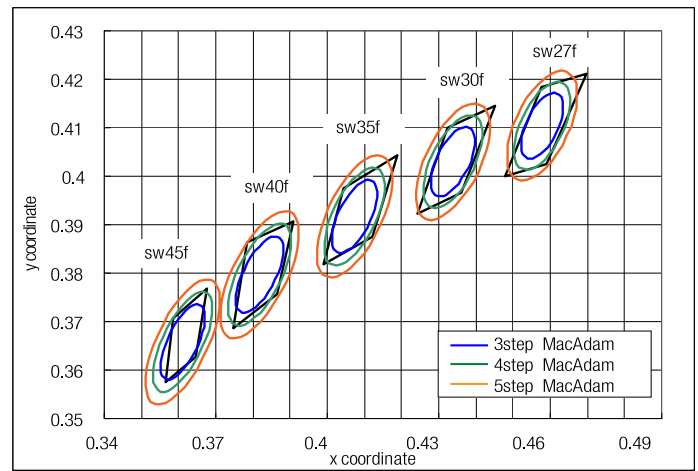


	Inches
X ₁	17.50
X ₂	13.25

MacAdam Ellipse

A MacAdam ellipse is a region on a chromaticity diagram which contains all colors which are indistinguishable, to the average human eye, from the color at the center of the ellipse. This measure helps to establish the variability in color a light source can exhibit before a general observer will notice the shift in color. Each standard deviation out from the target center is referred to as a MacAdam step, with ANSI recommending that lamp manufacturers stay within a “4-step” ellipse. This 4-step MacAdam minimum requirement means that lamp manufacturers are given a great deal of allowance regarding the perceptible differences in color properties of their fixtures versus what they advertise.

Deco Lighting uses only the finest LEDs made by Nichia, the world’s largest LED manufacturer. The Nichia LED is considered the Rolls Royce of LEDs. Featuring a 3-step MacAdam ellipse, the tightest binning in the industry, Nichia LEDs are held to a higher standard than minimum industry requirement and don’t color-shift like fixtures utilizing lower quality LEDs.



sw27f

X	Y
0.4478	0.3999
0.4576	0.4183
0.4698	0.4212
0.4591	0.4025

sw30f

X	Y
0.4244	0.3923
0.4325	0.4101
0.4452	0.4146
0.4362	0.3965

sw35f

X	Y
0.3989	0.3819
0.4045	0.3975
0.4452	0.4044
0.4362	0.3875

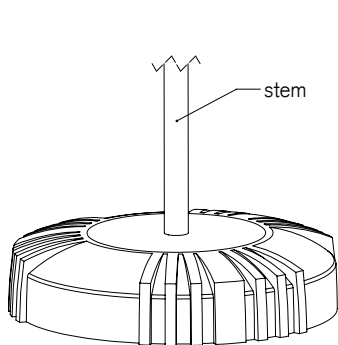
sw40f

X	Y
0.3746	0.3687
0.3783	0.3836
0.3909	0.3906
0.3864	0.3757

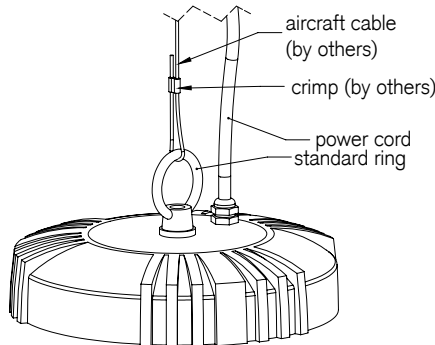
sw45f

X	Y
0.3565	0.3576
0.3585	0.3706
0.3675	0.3769
0.3646	0.3627

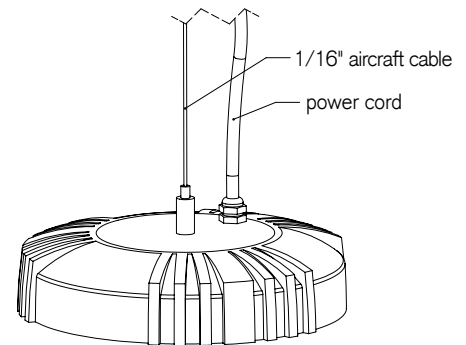
Mounting Options



Pendant Stem Mount



Standard Mount



Aircraft Cable Mount