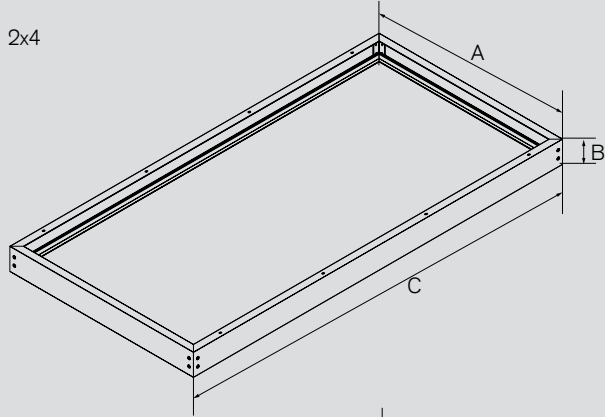




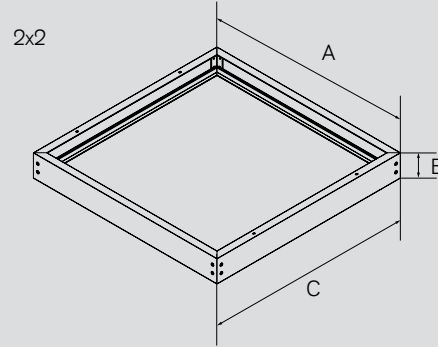
CFP-LED

Surface Mount Kit

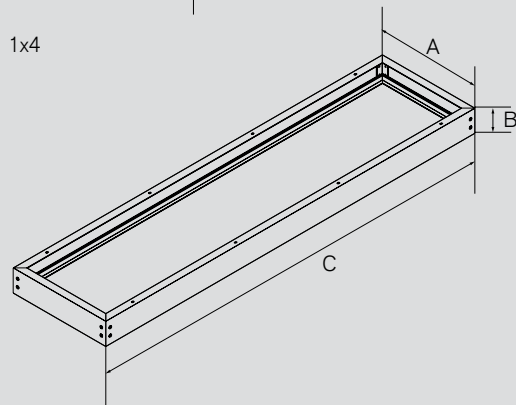
Client: _____ Order #: _____
Project Name: _____ Type: _____ Qty: _____



Dimensions	
A	23.90"
B	2.83"
C	47.91"



Dimensions	
A	23.90"
B	2.83"
C	23.90"



Dimensions	
A	12.00"
B	2.83"
C	47.91"



Ordering Information

A FIXTURE

CFP Contractor Select Flat Panel

B SIZE

1X4	1 x 4'
2X2	2 x 2'
2X4	2 x 4'

C MOUNT

SM Surface Mount Kit