



Client: \_\_\_\_\_  
Project Name: \_\_\_\_\_

Order #: \_\_\_\_\_  
Type: \_\_\_\_\_ Qty: \_\_\_\_\_

## Surface Mount Luminaire featuring UGR < 19

### Performance Data

CRI

80+

CCT

2700K, 3000K, 3500K, 4000K

### Projected Lifetime

155,000 Hours (L70)

97,000 Hours (L80)

### Dimming

0-10V Dimming Standard,  
100% down to 1%

### Operating Temperature

-40°C to +50°C



### Description

The Circa Surface is a unique round flat panel luminaire designed to provide smooth, dispersed illumination for modern interior spaces. Featuring a low-profile aluminum construction, the Circa is sleek and easily fits into the aesthetics of modern spaces. The Circa incorporates innovative Flat Optix™ that are engineered to eliminate glare issues that have become increasingly prevalent among LED luminaires as efficacy has increased over time. Featuring a Unified Glare Rating (UGR) of less than 19, Flat Optix™ refracts light to eliminate glare and improve comfort for occupants. Constructed with high efficacy LED chipsets and an edge-lit design, the Circa delivers well-balanced light output with a frosted acrylic lens and is ideal for specification across a variety of commercial and institutional spaces including open offices, classrooms, themed areas, retail spaces and healthcare facilities.

### Features

#### PERFORMANCE

- Delivers up to 6500 lumens
- 109 lumens per watt at 4000K

#### PHYSICAL

- Sizes: 18", 24", and 36" diameter
- Driver box: White, CRS cylinder that mounts directly to a 4" Octagonal and 3" Octagonal junction box. Dimensions: 8" Dia. x 1.5" high

- Luminaire: Die cast aluminum body with powder coat finish. Powder Coated CRS top plate. Flat Optix™ lens with micro prismatic conical structure. UGR<19
- Mounting: surface mounted
- Electrical: 120V-277V AC
- Weight: 11lbs (18"), 13lbs (24"), and 20lbs (36")



### Ordering Information

#### A FIXTURE SERIES

CR Circa Luminaire

#### B DIAMETER

|    |                        |
|----|------------------------|
| 18 | 18" (30W) <sup>1</sup> |
| 24 | 24" (40W) <sup>1</sup> |
| 36 | 36" (60W) <sup>1</sup> |

#### C MOUNTING STYLE

S Surface Mount

#### D CCT

|    |       |
|----|-------|
| 27 | 2700K |
| 30 | 3000K |
| 35 | 3500K |
| 40 | 4000K |

#### E VOLTAGE

U 120-277V

#### F FINISH

W White

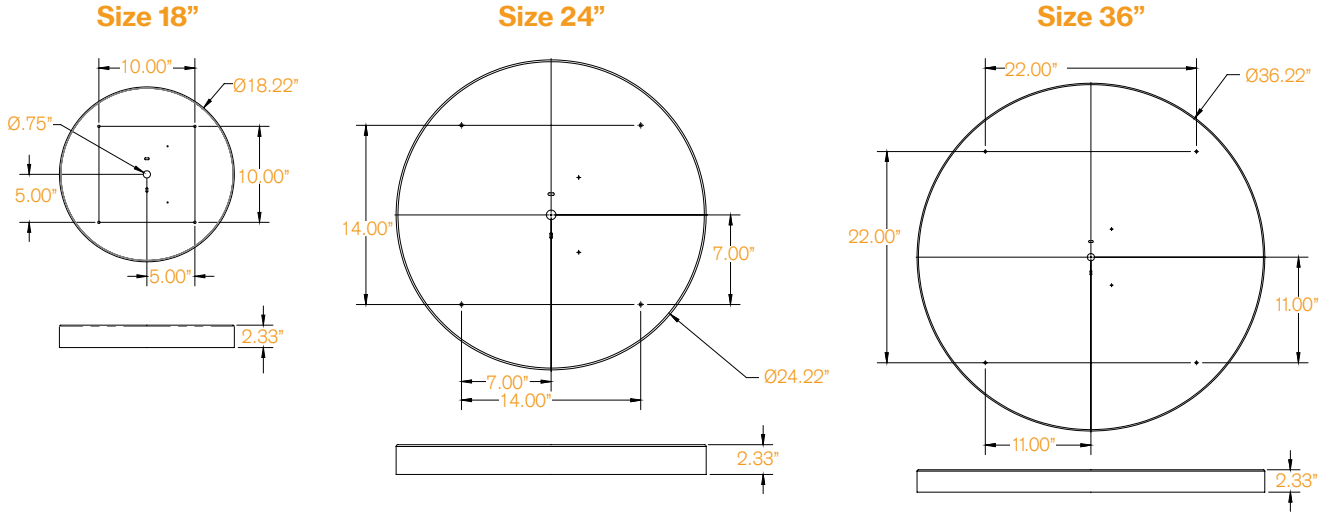
#### G OPTIONS

ES1 Lutron LDE1 Series  
EcoSystem 1% Dimming with  
Soft On Fade to Black<sup>2</sup>

<sup>1</sup> For lumen information see page 2

<sup>2</sup> Not available for 36"

**Dimensions**

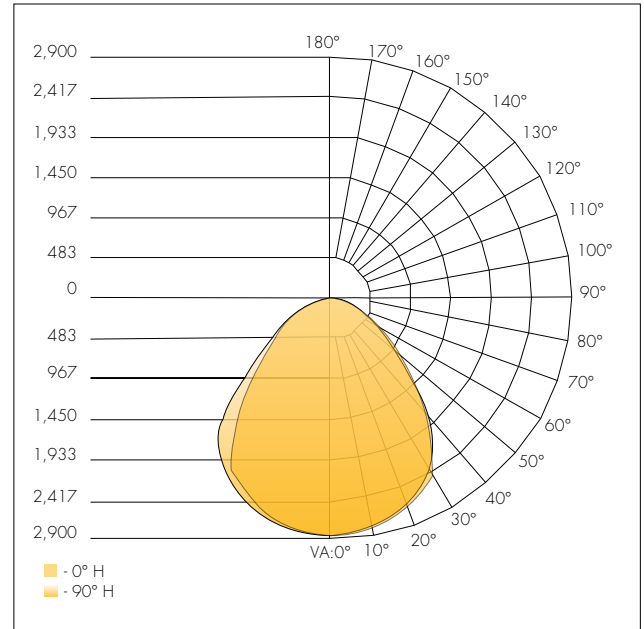


**Photometrics**

Coefficients of Utilization  
Effective Floor Cavity Reflectance: 20%

| RCC %: | 80   |      |      |      | 70   |      |      |      | 50   |      |      |      | 30   |      |      |      | 10   |      |      |      | 0    |      |      |      |
|--------|------|------|------|------|------|------|------|------|------|------|------|------|------|------|------|------|------|------|------|------|------|------|------|------|
| RW %:  | 70   | 50   | 30   | 0    | 70   | 50   | 30   | 0    | 50   | 30   | 20   | 0    | 50   | 30   | 20   | 0    | 50   | 30   | 20   | 0    | 50   | 30   | 20   | 0    |
| RCR: 0 | 1.19 | 1.19 | 1.19 | 1.19 | 1.16 | 1.16 | 1.16 | 1.00 | 1.11 | 1.11 | 1.11 | 1.00 | 1.06 | 1.06 | 1.06 | 1.00 | 1.02 | 1.02 | 1.02 | 1.00 | 1.00 | 1.00 | 1.00 | 1.00 |
| 1      | 1.10 | 1.06 | 1.03 | 1.00 | 1.08 | 1.04 | 1.01 | .88  | 1.00 | .97  | .95  | .88  | .96  | .94  | .92  | .88  | .93  | .91  | .89  | .87  | .87  | .85  | .83  | .81  |
| 2      | 1.02 | .95  | .89  | .84  | .99  | .93  | .87  | .77  | .89  | .85  | .81  | .77  | .86  | .82  | .79  | .77  | .83  | .80  | .77  | .75  | .75  | .73  | .71  | .68  |
| 3      | .94  | .85  | .77  | .72  | .92  | .83  | .76  | .67  | .80  | .75  | .70  | .67  | .78  | .73  | .69  | .67  | .75  | .71  | .68  | .66  | .66  | .63  | .61  | .59  |
| 4      | .87  | .76  | .68  | .62  | .85  | .75  | .67  | .59  | .72  | .66  | .61  | .59  | .70  | .65  | .60  | .59  | .68  | .63  | .59  | .57  | .57  | .53  | .51  | .49  |
| 5      | .80  | .69  | .61  | .55  | .78  | .68  | .60  | .52  | .66  | .59  | .54  | .54  | .64  | .58  | .53  | .53  | .62  | .57  | .53  | .51  | .51  | .47  | .45  | .44  |
| 6      | .75  | .63  | .54  | .48  | .73  | .62  | .54  | .47  | .60  | .53  | .48  | .48  | .58  | .52  | .47  | .47  | .57  | .51  | .47  | .45  | .45  | .41  | .39  | .38  |
| 7      | .70  | .57  | .49  | .43  | .68  | .56  | .49  | .42  | .55  | .48  | .43  | .43  | .53  | .47  | .43  | .43  | .52  | .47  | .42  | .41  | .41  | .37  | .35  | .34  |
| 8      | .65  | .52  | .45  | .39  | .64  | .52  | .44  | .38  | .51  | .44  | .39  | .39  | .49  | .43  | .39  | .39  | .48  | .43  | .38  | .37  | .37  | .33  | .31  | .30  |
| 9      | .61  | .48  | .41  | .36  | .60  | .48  | .40  | .35  | .47  | .40  | .35  | .35  | .46  | .40  | .35  | .35  | .45  | .39  | .35  | .33  | .33  | .29  | .27  | .26  |
| 10     | .57  | .45  | .37  | .32  | .56  | .44  | .37  | .32  | .43  | .37  | .32  | .32  | .43  | .36  | .32  | .32  | .42  | .36  | .32  | .30  | .30  | .26  | .24  | .23  |

Model 36" 60W 3500K



Delivered Lumens: 6,116  
CRI: 85

**Zonal Lumen Summary**

| Zone  | Lumens  | %Lamp | %Luminaire |
|-------|---------|-------|------------|
| 0-30  | 2,205.9 | 36.1% | 36.1%      |
| 0-40  | 3,544.4 | 57.9% | 57.9%      |
| 0-60  | 5,365.6 | 87.7% | 87.7%      |
| 60-90 | 750.8   | 12.3% | 12.3%      |
| 0-90  | 6,116.4 | 100%  | 100%       |

**Lumen Chart:**

| 4000K Outputs       | HIGH       | MID        | LOW        |
|---------------------|------------|------------|------------|
| <b>18" DIAMETER</b> |            |            |            |
| Set at 30W default  | N/A        | 30W / 3150 | 20W / 2120 |
| <b>24" DIAMETER</b> |            |            |            |
| Set at 40W default  | 40W / 4160 | 30W / 3150 | 20W / 2120 |
| <b>36" DIAMETER</b> |            |            |            |
| Set at 60W default  | 60W / 6240 | 50W / 5250 | 40W / 4240 |

For other CCT outputs, multiply by below factors  
3500K: 0.98  
3000K: 0.94  
2700K: 0.93

## Unified Glare Rating (UGR)

### DECO LED Flat Panel with Flat Optix™ Lens:

- Light is redirected from 60° to 90° degrees of luminaire, UGR <19
- Conical structures built into the lens minimize high angle glare
- Allows for increased efficacy, rather than lumen output glaring at occupants
- High efficiency and energy saving
- Protection class: IP44 Damp Location Rated
- Increased productivity



□ = Volumetric flat panel with micro-prismatic lens will reduce glare going into the occupant's eyes  
 — = 90°    ..... = 60°

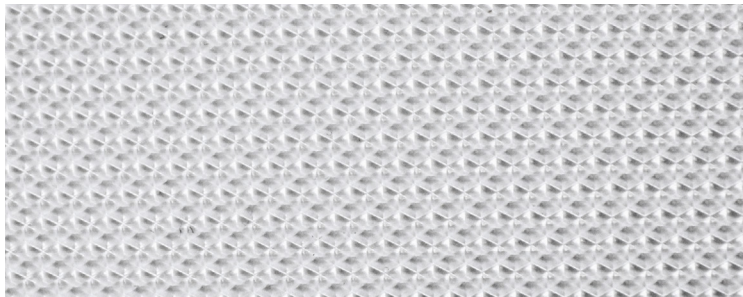
### Standard LED Flat Panel:

- Harsh glare at viewing angles above 60°, UGR >24
- Wide beam angle at 120°
- Uncomfortable glare
- Reduction in visibility caused by intense light source in field of view
- Protection class: IP22 protects only from objects greater than 12 millimeters
- Loss of productivity



■ = High glare flat panel makes occupant's eyes feel uncomfortable  
 — = 90°    ..... = 60°

## Flat Optics™ Detail



Micro-prismatic technology redirects high-angle light, reducing visual glare. The light above 60° is suppressed to improve the Unified Glare Rating (UGR). This allows for the luminaire to be IESNA RP1-04 & EN12464 compliant, which are standards for office and indoor lighting.

## UGR Criteria

| UGR: | Hopkinson's Criterion: |
|------|------------------------|
| <10  | Imperceptible          |
| <13  | Just Perceptible       |
| <16  | Perceptible            |
| <19  | Acceptable             |
| >22  | Unacceptable           |
| >25  | Just Uncomfortable     |
| >28  | Uncomfortable          |

Micro-prismatic conical structures provide the most optimal luminance of a fixture from any viewing angle. The UGR rating of less than 19 provides the most acceptable glare for task lighting.

## Lutron Options

- ES1** EcoSystem digital control, Hi-lume 1% EcoSystem LED driver with Soft-on, Fade-to- Black. Ideal for conference rooms, restaurants, lobbies, ballrooms, and lecture halls. Benefits include: All benefits of the ES5 series plus beautiful, smooth flicker-free dimming down to 1% and a Soft-on, Fade-to- Black™ feature, which provides an incandescent-like experience when transitioning from off to 1% and vice versa.