



Client: _____
Project Name: _____

Order #: _____
Type: _____ Qty: _____

Recessed T-Bar Luminaire featuring UGR < 19

Performance Data

CRI

80+

CCT

2700K, 3000K, 3500K, 4000K

Projected Lifetime

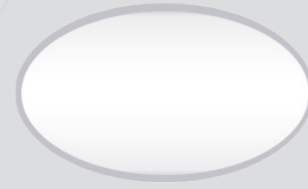
155,000 Hours (L70)
97,000 Hours (L80)

Dimming

0-10V Dimming Standard,
100% down to 1%

Operating Temperature

-40°C to +50°C



Select A
Watt
Technology

FLAT
OPTIX™

1% DIMMING

10 Yr
Warranty
Including Labor

USA
Buy American
Act Compliant

Description

The Circa Recessed T-Bar is a unique round flat panel luminaire designed to provide smooth, dispersed illumination for modern interior spaces. Featuring a low-profile aluminum construction, the Circa is convenient and durable for installation in ceilings with a low plenum space. The Circa incorporates innovative Flat Optix™ that are engineered to eliminate glare issues that have become increasingly prevalent among LED luminaires as efficacy has increased over time. Featuring a Unified Glare Rating (UGR) of less than 19, Flat Optix™ refract light to eliminate glare and improve comfort for inhabitants. Constructed with high efficacy LED chipsets and an edge-lit design, the Circa delivers well-balanced light output with a frosted acrylic lens and is ideal for specification across a variety of commercial and institutional spaces including open offices, classrooms, themed areas, retail spaces and healthcare facilities.

Features

PERFORMANCE

- Delivers up to 3250 lumens
- 109 lumens per watt at 4000K

PHYSICAL

- Driver box: White, CRS cylinder that mounts directly to an 4" Octagonal and 3" Octagonal junction box. Dimensions: 8" Dia. x 1.5" high

- Size: 18" diameter
- Luminaire: Die cast aluminum body with powder coat finish. Powder Coated CRS top plate. Flat Optix™ lens with micro prismatic conical structure. UGR<19
- Mounting Style: Recessed luminaire in T-bar ceiling
- Electrical: 120V-277V AC
- Weight: 11lbs



Ordering Information

A FIXTURE SERIES

CR Circa Luminaire

B DIAMETER

18 18" (30W)¹

C STYLE

T Recessed T-Bar

D CCT

27	2700K
30	3000K
35	3500K
40	4000K

E VOLTAGE

U 120-277V

F FINISH

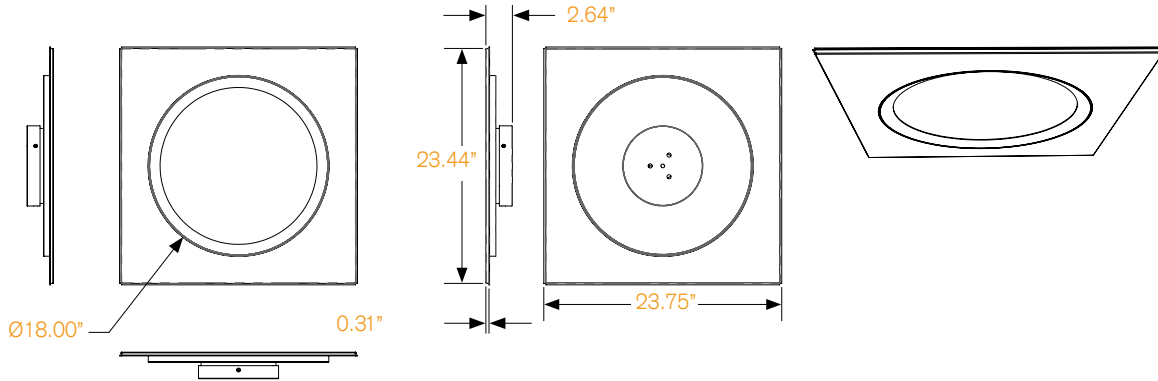
W White

G OPTIONS

ES1 Lutron LDE1 Series
EcoSystem 1% Dimming with
Soft On Fade to Black

¹ For lumen information see page 2

Dimensions

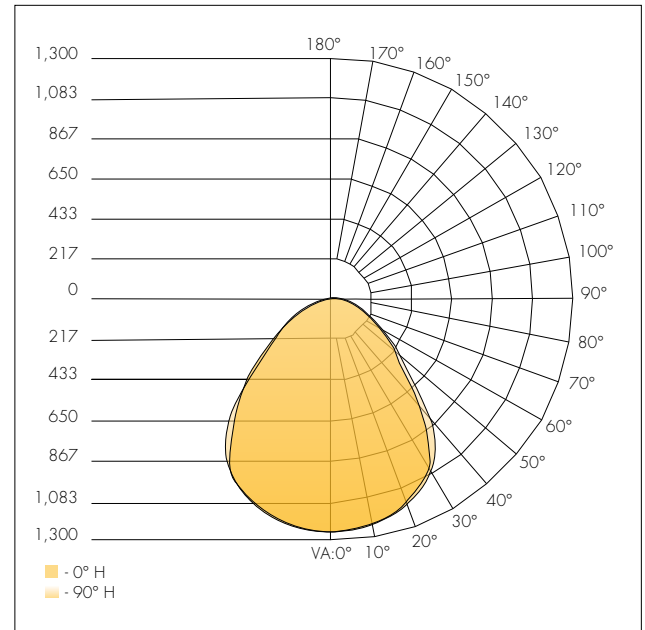


Photometrics

Coefficients of Utilization
Effective Floor Cavity Reflectance: 20%

RCC %:	80				70				50				30				10				0			
RW %:	70	50	30	0	70	50	30	0	50	30	20	0	50	30	20	0	50	30	20	0	50	30	20	0
RCR: 0	1.19	1.19	1.19	1.19	1.16	1.16	1.16	1.00	1.11	1.11	1.11	1.00	1.06	1.06	1.06	1.00	1.02	1.02	1.02	1.00	1.00	1.00	1.00	1.00
1	1.11	1.07	1.03	1.00	1.08	1.04	1.01	.88	1.00	.97	.95	.87	.96	.94	.92	.86	.93	.91	.89	.87	.87	.87	.87	.87
2	1.02	.95	.89	.84	.99	.93	.88	.77	.90	.85	.81	.76	.86	.83	.79	.83	.80	.78	.78	.76	.76	.76	.76	.76
3	.94	.85	.78	.72	.92	.83	.77	.67	.80	.75	.70	.66	.78	.73	.69	.75	.71	.68	.68	.66	.66	.66	.66	.66
4	.87	.76	.68	.63	.85	.75	.68	.59	.73	.66	.61	.57	.70	.65	.60	.68	.64	.60	.60	.58	.58	.58	.58	.58
5	.81	.69	.61	.55	.79	.68	.60	.53	.66	.59	.54	.50	.64	.58	.54	.62	.57	.53	.53	.51	.51	.51	.51	.51
6	.75	.63	.55	.49	.73	.62	.54	.47	.60	.53	.48	.44	.59	.52	.48	.57	.52	.47	.47	.46	.46	.46	.46	.46
7	.70	.57	.49	.44	.68	.57	.49	.43	.55	.48	.43	.39	.54	.48	.43	.52	.47	.43	.43	.41	.41	.41	.41	.41
8	.65	.53	.45	.39	.64	.52	.45	.39	.51	.44	.39	.35	.50	.43	.39	.48	.43	.39	.39	.37	.37	.37	.37	.37
9	.61	.49	.41	.36	.60	.48	.41	.35	.47	.40	.36	.32	.46	.40	.35	.45	.39	.35	.35	.34	.34	.34	.34	.34
10	.57	.45	.38	.33	.56	.45	.37	.32	.44	.37	.33	.29	.43	.37	.32	.42	.36	.32	.32	.31	.31	.31	.31	.31

Model 18" 30W 2700K



Zonal Lumen Summary

Zone	Lumens	%Lamp	%Luminaire
0-30	983.9	36.4%	36.4%
0-40	1,577.8	58.4%	58.4%
0-60	2,384.8	88.3%	88.3%
60-90	316.0	11.7%	11.7%
0-90	2,700.8	100%	100%

Lumen Chart:

4000K Outputs	HIGH	MID	LOW
18" DIAMETER			
Set at 30W default	N/A	30W / 3150	20W / 2120

For other CCT outputs, multiply by below factors
 3500K: 0.98
 3000K: 0.94
 2700K: 0.93

Unified Glare Rating (UGR)

DECO LED Flat Panel with Flat Optix™ Lens:

- Light is redirected from 60° to 90° degrees of luminaire, UGR <19
- Conical structures built into the lens minimize high angle glare
- Allows for increased efficacy, rather than lumen output glaring at occupants
- High efficiency and energy saving
- Protection class: IP44 Damp Location Rated
- Increased productivity



□ = Volumetric flat panel with micro-prismatic lens will reduce glare going into the occupant's eyes
 — = 90° = 60°

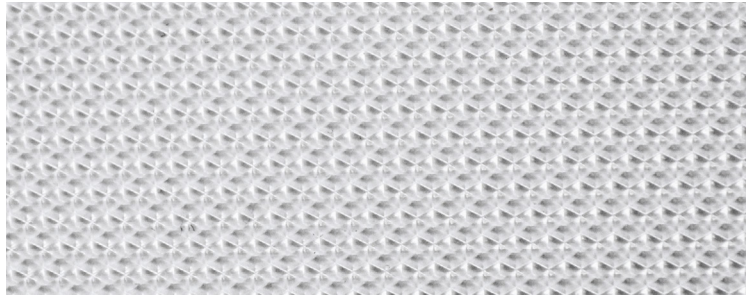
Standard LED Flat Panel:

- Harsh glare at viewing angles above 60°, UGR >24
- Wide beam angle at 120°
- Uncomfortable glare
- Reduction in visibility caused by intense light source in field of view
- Protection class: IP22 protects only from objects greater than 12 millimeters
- Loss of productivity



■ = High glare flat panel makes occupant's eyes feel uncomfortable
 — = 90° = 60°

Flat Optics™ Detail



Micro-prismatic technology redirects high-angle light, reducing visual glare. The light above 60° is suppressed to improve the Unified Glare Rating (UGR). This allows for the luminaire to be IESNA RP1-04 & EN12464 compliant, which are standards for office and indoor lighting.

UGR Criteria

UGR:	Hopkinson's Criterion:
<10	Imperceptible
<13	Just Perceptible
<16	Perceptible
<19	Acceptable
>22	Unacceptable
>25	Just Uncomfortable
>28	Uncomfortable

Micro-prismatic conical structures provide the most optimal luminance of a fixture from any viewing angle. The UGR rating of less than 19 provides the most acceptable glare for task lighting.