



VECTOR™ CUBE PENDANT

Ambient Linear LED

Performance Data

CRI

95 min with R9 of 69 or better

CCT

2700K, 3000K, 3500K, 4000K,
5 Channel Color Tuning

Projected Lifetime

159,000 Hours (L70)
98,000 Hours (L80)

Dimming

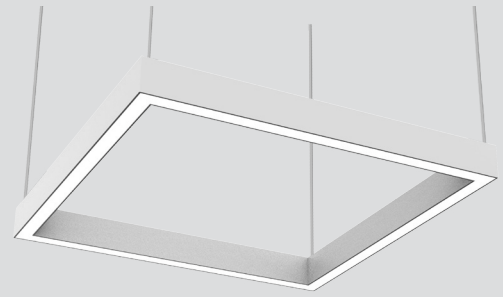
0-10V dimming standard

Operating Temperature

-30°C to +55°C (-22°F to +13°F)

ETL Listed

Approved for dry and damp locations



Description

The redesigned Cube Pendant luminaire, part of the Vector series, is an indoor architectural LED fixture featuring a 2 7/16" wide by 5" tall overall profile. The Vector Cube merges a sleek, minimalist design with high performance functionality to deliver a unique luminaire that complements the aesthetics of any interior space all while providing high efficacy, glare-free illumination for the space's inhabitants. The Cube Pendant is available in standard lengths of 2', 3', and 4' with direct or direct/indirect light output.

Features

PERFORMANCE

- Selected by IES for the 2017 Progress Report
- Up to 1200 lm/ft direct, 1,400 lm/ft indirect at 4000K
- Independently-adjustable direct and indirect lumen outputs

PHYSICAL

- Profile Dimensions: 2.44" wide x 5" high
- Housing: Extruded Aluminum with powder coat finish
- Direct Lens: Extruded Satin Acrylic
- Indirect Lens: Extruded clear Acrylic
- Light Engine: Aluminum core LED board mounted to a white extruded chassis with integral driver & quick electrical disconnects for rapid tool-less servicing

CU2P

UC

Ordering Information

A FIXTURE SERIES

CU2P Vector Cube 2 Pendant

B DISTRIBUTION

I Direct/Indirect
D Direct

C LENGTH

2 2'
3 3'
4 4'

D WIDTH

2 2'
3 3'
4 4'

E OUTPUT DOWN

L 7.5W/ft
M 10W/ft
H 15W/ft

F OUTPUT UP*

L 7.5W/ft
M 10W/ft
H 15W/ft

G CCT DOWN

27 2700K
30 3000K
35 3500K
40 4000K
5W 5 Channel Color Tuning¹

H CCT UP*

27 2700K
30 3000K
35 3500K
40 4000K
5W 5 Channel Color Tuning¹

I VOLTAGE

U 120-277V

J MOUNTING STYLE

C Cable in Corner

K CABLE LENGTH

A 24" Cable
B 48" Cable
D 60" Cable
F 72" Cable
G 96" Cable

L FINISH⁴

W Textured White
S Textured Silver
B Textured Black
Specialized Colors^{2,3}
C Textured Custom Color

M OPTIONS

E Emergency
T Daylight Sensor
U Occupancy Sensor
V Daylight/Occupancy Sensor
VW0 Lutron Vive System Enabled Fixture (External RF only) Standard 0-10V X% Driver (also available with FCJS-ECO module for ES1, ES5 options)
VWS0 Lutron Vive System Enabled Fixture (External RF w/Occ & Daylight Sensor) Standard 0-10V X% Driver (also available with FCJS-ECO module for ES1, ES5 options)
ES1 Lutron LDE1 Series EcoSystem 1% Dimming with Soft On Fade to Black
ES5 Lutron LDE5 Series EcoSystem 5% Dimming

*Only available when direct/indirect distribution is selected

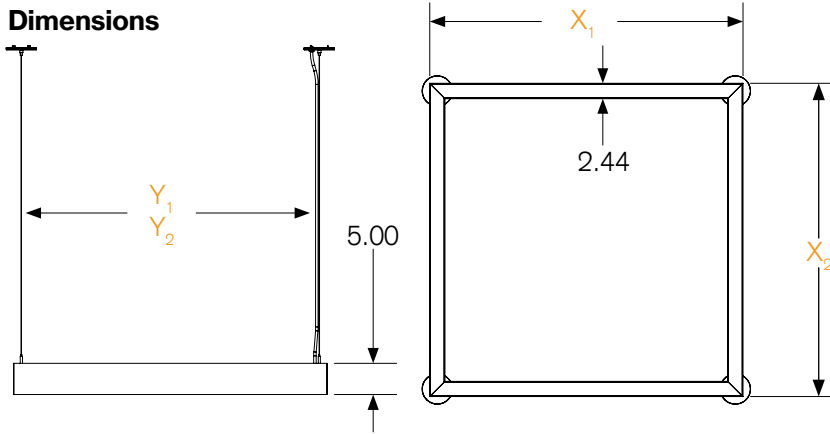
¹5 Channel Color Tuning only available at High Output setting. Controlled using DMX system (provided by customer or other vendor)

²See Page 4 for Ordering Codes on 24 Specialized Finishes. Example "07"

³Please Note: All orders under 25 linear feet will require a one-time set up charge. Please consult factory for charge.

⁴All finishes are textured unless specified otherwise by the customer

Dimensions



Mounting

	Y ₁	Y ₂		X ₁	X ₂
2x2	23.50"	23.50"	2x2	26.20"	26.20"
2x3	23.50"	35.50"	2x3	26.20"	38.20"
2x4	23.50"	47.50"	2x4	26.20"	50.20"
3x3	35.50"	35.50"	3x3	38.20"	38.20"
3x4	35.50"	47.50"	3x4	38.20"	50.20"
4x4	47.50"	47.50"	4x4	50.20"	50.20"

Lutron Options

- VW0** Lutron Vive System Enabled Fixture(External RF only) Standard 0-10V X% Driver
- VWS0** Lutron Vive Wireless Fixture (External RF w/Occ & Daylight Sensor) Standard DALI X% Driver
- ES1** EcoSystem digital control, Hi-lume 1% EcoSystem LED driver with Soft-on, Fade-to- Black. Ideal for conference rooms, restaurants, lobbies, ballrooms, and lecture halls. Benefits include: All benefits of the ES5 series plus beautiful, smooth flicker-free dimming down to 1% and a Soft-on, Fade-to- Black™ feature, which provides an incandescent-like experience when transitioning from off to 1% and vice versa.
- ES5** ES5 - EcoSystem digital control, 5-Series EcoSystem LED driver. Flicker-free dimming from 100% to 5%.

Lutron Vive Lighting Control System (applies to VW0 and VWS0 options)

Lutron Vive is a revolutionary wireless lighting control solution for new and existing commercial buildings, combining a variety of lighting control strategies with controls and sensors to maximize efficiency and system flexibility. A Lutron Vive lighting control solution can reduce energy consumption by 60% or more by employing the following strategies:

- Occupancy/vacancy sensing turns lights on when occupants are in a space and off when they vacate the space.
- Daylight harvesting dims electric lights when daylight is available to light the space.
- Scheduling provides pre-programmed changes in light levels based on time of day.
- Demand response automatically reduces lighting loads during peak electricity usage times.
- Plug load control automatically turns off loads after occupants leave a space.
- High-end trim sets the maximum light level based on customer requirements in each space.
- Personal dimming control gives occupants the ability to adjust the light level.
- HVAC integration controls heating,ventilation, and air conditioning systems through contact closure, or BACnet protocol.
- System Optimization Service from Lutron identifies important lighting control adjustments to save additional energy and create a more productive work environment on an ongoing basis.

Specialized Colors

A-Classic

01	Natural Aluminum	RAL #7035
02	Silver Bullet	RAL #7038
03	Raven	RAL #9005
04	Crystal White	RAL #9010
05	Macademia	RAL #9003
06	Hampden	RAL #9001
07	London	RAL #7044

B-Urban

08	Urban Native	RAL #8025
09	Military Green	RAL #6011
10	Carmin	RAL #8028
11	Chocolate Spice	RAL #8017
12	Asher Grey	RAL #7004
13	Tech Grey	RAL #7016
14	Slate	RAL #7031
15	Mason	RAL #7039

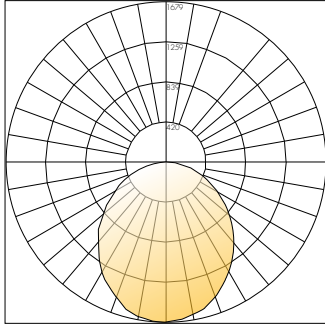
C-Fresh

16	Violet Dreams	RAL #4006
17	Sangria Sunset	RAL #2004
18	Deep Pink	RAL #4010
19	Ruby Red	RAL #3027
20	Island Skye	RAL #6027
21	Sophia	RAL #5015
22	Antique Spring	RAL #6019
23	Daisy	RAL #1018
24	Gun Metal	RAL #7024

Please Note: All orders under 25 linear feet will require a one-time set up charge. Please consult factory for charge.

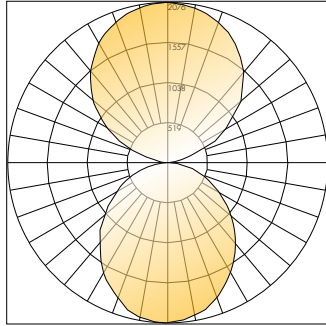
Photometrics

Polar Graph - 4' High Output 4000K



Delivered Lumens: 18560
CRI: 97

Polar Graph - 4' High Direct / High Indirect 4000K



Delivered Lumens: 41600 (18560 Direct / 23040 Indirect)
CRI: 97

Direct (Down) Lumen Chart:

OUTPUT SELECTION	LOW	MEDIUM	HIGH
NOMINAL WATTAGE	7.5W/ft	10W/ft	15W/ft
LUMENS PER FOOT	570	855	1160
2' CUBE			
System Wattage	48.00	72.00	96.00
Lumen Output	4560	6800	9280
3' CUBE			
System Wattage	72.00	108.00	144.00
Lumen Output	6840	10200	13920
4' CUBE			
System Wattage	96.00	144.00	196.00
Lumen Output	9120	13600	18560

Indirect (Up) Lumen Chart:

OUTPUT SELECTION	LOW	MEDIUM	HIGH
NOMINAL WATTAGE	7.5W/ft	10W/ft	15W/ft
LUMENS PER FOOT	720	1080	1440
2' CUBE			
System Wattage	48.00	72.00	96.00
Lumen Output	5760	8640	11520
3' CUBE			
System Wattage	72.00	108.00	144.00
Lumen Output	8640	12960	17280
4' CUBE			
System Wattage	96.00	144.00	196.00
Lumen Output	11520	17280	23040

Lumen values shown are for 4000K models. For other color temperatures, use the below multipliers:
2700K: 0.85, 3000K: 0.90, 3500K: 0.95

For total system wattage consumption and lumen output, add the direct and indirect lumen and wattage data based on output settings desired.

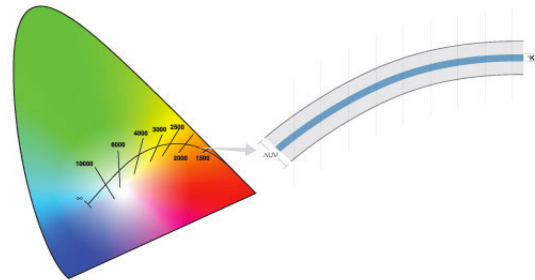
EX: CU2P-I-4-4-H-L-40-40-U-CB-W-E

	Direct	Indirect	Total
Wattage	196.00	96.00	292
Lumen	18560	11520	30080

DECO Tune™ 5 Channel Color Tuning

The benefits of DECO Tune™ include:

- Perfectly natural white light.
- On-Planckian tuning from 1650K to 8000K.
- Dimming from 100% to 1% while maintaining CCT, or variable CCT from 3050K down to 1800K to match traditional incandescent or MR-16 lamp dimming
- Industry-leading color rendering (Ra) greater than 90, throughout the tuning range.
- Gamut control for unlimited control and customization of lighting design using the Saturation and Hue controls.
- Consistent color of 2 SDCM about the Planckian Curve over the life of the module.

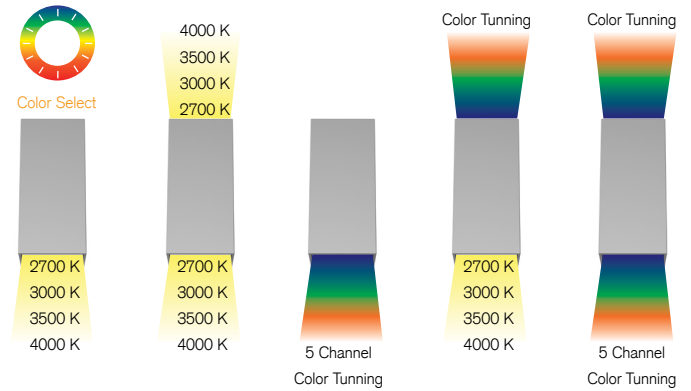


Five-Channel Tuning

The number of control channels deployed in a color tuning system impacts the quality of the light and consistency of color. It also affects the color tuning range, the level of gamut control and the efficacy of the solution.

DECO Tune™ mixes five different colors of high brightness, broad spectrum LEDs – none of which are white – to deliver light that is 2 MacAdam ellipses about the Planckian curve at 90+ CRI across the tuning range.

The result: light that accurately depicts – across the full tuning range – the object's color as compared to its color in true sunlight.



Mounting and Power Details

