



Client: _____
Project Name: _____

Order #: _____
Type: _____ Qty: _____

Recessed T-Bar Luminaire featuring UGR < 19

Performance Data

CRI

80+

CCT

2700K, 3000K, 3500K, 4000K

Projected Lifetime

155,000 Hours (L70)

97,000 Hours (L80)

Dimming

0-10V Dimming Standard,
100% down to 1%

Operating Temperature

-40°C to +50°C



Description

The Circa Recessed T-Bar is a unique round flat panel luminaire designed to provide smooth, dispersed illumination for modern interior spaces. Featuring a low-profile aluminum construction, the Circa is convenient and durable for installation in ceilings with a low plenum space. The Circa incorporates innovative Flat Optics that are engineered to eliminate glare issues that have become increasingly prevalent among LED luminaires as efficacy has increased over time. Featuring a Unified Glare Rating (UGR) of less than 19, Flat Optics refract light to eliminate glare and improve comfort for inhabitants. Constructed with high efficacy LED chipsets and an edge-lit design, the Circa delivers well-balanced light output with a frosted acrylic lens and is ideal for specification across a variety of commercial and institutional spaces including open offices, classrooms, themed areas, retail spaces and healthcare facilities.

Features

PERFORMANCE

- Delivers up to 3250 lumens
- 109 lumens per watt at 4000K

PHYSICAL

- Driver box: White, CRS cylinder that mounts directly to an 4" Octagonal and 3" Octagonal junction box. Dimensions: 8" Dia. x 1.5" high

- Size: 18" diameter
- Luminaire: Die cast aluminum body with powder coat finish. Powder Coated CRS top plate. PS lens with micro prismatic conical structure. UGR<19
- Mounting Style: Recessed luminaire in T-bar ceiling
- Electrical: 120V-277V AC
- Weight: 11lbs



Ordering Information

A FIXTURE SERIES

CR Circa Luminaire

B DIAMETER

18 18"

C STYLE

T Recessed T-Bar

D CCT

27 2700K

30 3000K

35 3500K

40 4000K

E VOLTAGE

U 120-277V

F FINISH

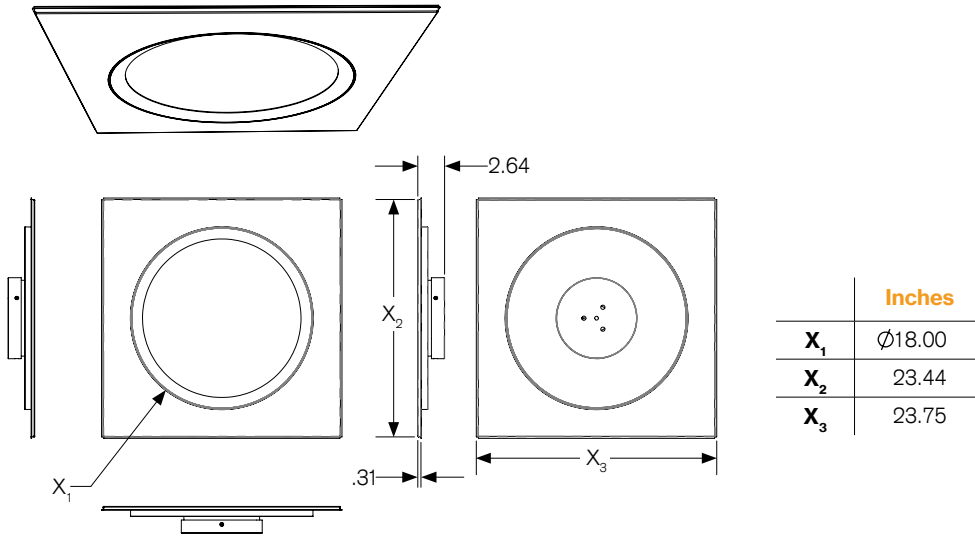
W White

G OPTIONS

E Emergency

ES1 Lutron LDE1 Series
EcoSystem 1% Dimming with
Soft On Fade to Black

Dimensions



Lumen Chart:

	2700K	3000K	3500K	4000K
18" DIAMETER (30W)				
Recessed T-Bar	2880	2950	3000	3250

Photometrics

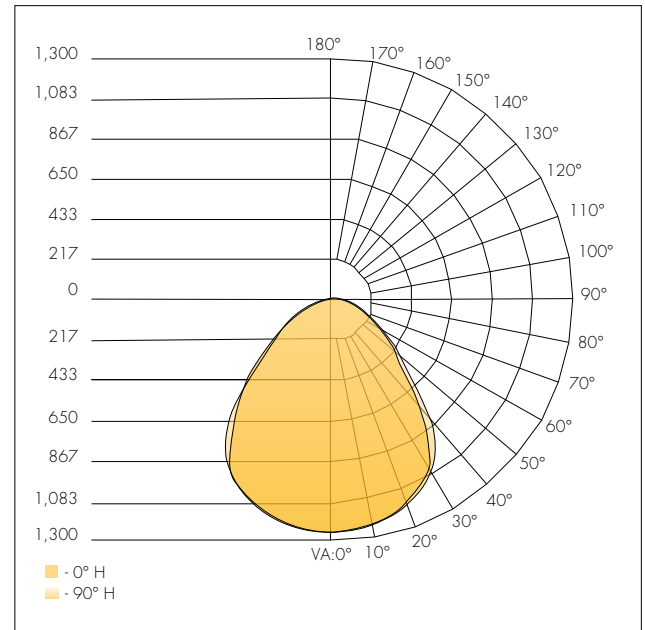
Coefficients of Utilization
Effective Floor Cavity Reflectance: 20%

RCC %:	80				70				50				30				10				0
RW %:	70	50	30	0	70	50	30	0	50	30	20	50	30	20	50	30	20	50	30	20	0
RCR: 0	1.19	1.19	1.19	1.19	1.16	1.16	1.16	1.00	1.11	1.11	1.11	1.06	1.06	1.06	1.02	1.02	1.02	1.00	1.00	1.00	1.00
1	1.11	1.07	1.03	1.00	1.08	1.04	1.01	.88	1.00	.97	.95	.96	.94	.92	.93	.91	.89	.87	.87	.87	.87
2	1.02	.95	.89	.84	.99	.93	.88	.77	.90	.85	.81	.86	.83	.79	.83	.80	.78	.76	.76	.76	.76
3	.94	.85	.78	.72	.92	.83	.77	.67	.80	.75	.70	.78	.73	.69	.75	.71	.68	.66	.66	.66	.66
4	.87	.76	.68	.63	.85	.75	.68	.59	.73	.66	.61	.70	.65	.60	.68	.64	.60	.58	.58	.58	.58
5	.81	.69	.61	.55	.79	.68	.60	.53	.66	.59	.54	.64	.58	.54	.62	.57	.53	.51	.51	.51	.51
6	.75	.63	.55	.49	.73	.62	.54	.47	.60	.53	.48	.59	.52	.48	.57	.52	.47	.46	.46	.46	.46
7	.70	.57	.49	.44	.68	.57	.49	.43	.55	.48	.43	.54	.48	.43	.52	.47	.43	.41	.41	.41	.41
8	.65	.53	.45	.39	.64	.52	.45	.39	.51	.44	.39	.50	.43	.39	.48	.43	.39	.37	.37	.37	.37
9	.61	.49	.41	.36	.60	.48	.41	.35	.47	.40	.36	.46	.40	.35	.45	.39	.35	.34	.34	.34	.34
10	.57	.45	.38	.33	.56	.45	.37	.32	.44	.37	.33	.43	.37	.32	.42	.36	.32	.31	.31	.31	.31

Zonal Lumen Summary

Zone	Lumens	%Lamp	%Luminaire
0-30	983.9	36.4%	36.4%
0-40	1,577.8	58.4%	58.4%
0-60	2,384.8	88.3%	88.3%
60-90	316.0	11.7%	11.7%
0-90	2,700.8	100%	100%

Model 18" 30W 2700K



Unified Glare Rating (UGR)

DECO LED Flat Panel with Flat Optix™ Lens:

- Light is redirected from 60° to 90° degrees of luminaire, UGR <19
- Conical structures built into the lens minimize high angle glare
- Allows for increased efficacy, rather than lumen output glaring at occupants
- High efficiency and energy saving
- Protection class: IP44 Damp Location Rated
- Increased productivity



□ = Volumetric flat panel with micro-prismatic lens will reduce glare going into the occupant's eyes
 — = 90° = 60°

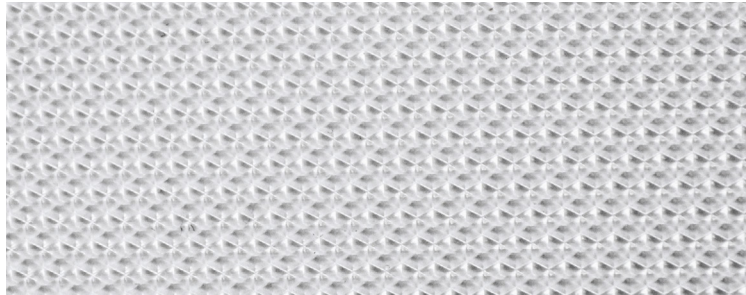
Standard LED Flat Panel:

- Harsh glare at viewing angles above 60°, UGR >24
- Wide beam angle at 120°
- Uncomfortable glare
- Reduction in visibility caused by intense light source in field of view
- Protection class: IP22 protects only from objects greater than 12 millimeters
- Loss of productivity



■ = High glare flat panel makes occupant's eyes feel uncomfortable
 — = 90° = 60°

Flat Optics™ Detail



Micro-prismatic technology redirects high-angle light, reducing visual glare. The light above 60° is suppressed to improve the Unified Glare Rating (UGR). This allows for the luminaire to be IESNA RP1-04 & EN12464 compliant, which are standards for office and indoor lighting.

UGR Criteria

UGR:	Hopkinson's Criterion:
<10	Imperceptible
<13	Just Perceptible
<16	Perceptible
<19	Acceptable
>22	Unacceptable
>25	Just Uncomfortable
>28	Uncomfortable

Micro-prismatic conical structures provide the most optimal luminance of a fixture from any viewing angle. The UGR rating of less than 19 provides the most acceptable glare for task lighting.