



Client: _____
Project Name: _____

Order #: _____
Type: _____ Qty: _____

Pendant Luminaire featuring UGR < 19

Performance Data

CRI

80+

CCT

2700K, 3000K, 3500K, 4000K

Projected Lifetime

155,000 Hours (L70)
97,000 Hours (L80)

Dimming

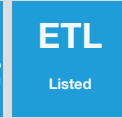
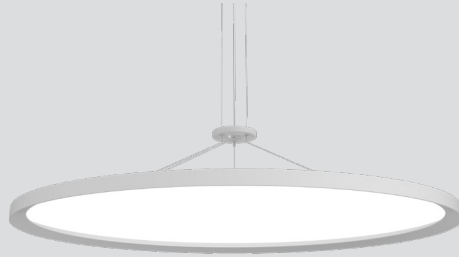
0-10V Dimming Standard,
100% down to 1%

Operating Temperature

-40°C to +50°C

ETL Listed

Suitable for dry and damp
locations



Description

The Circa is a unique round flat panel luminaire designed to provide smooth, dispersed illumination for modern interior spaces. Featuring a low-profile aluminum construction, the Circa is convenient and durable for installation in ceilings with a low plenum space. The Circa incorporates innovative Flat Optics that are engineered to eliminate glare issues that have become increasingly prevalent among LED luminaires as efficacy has increased over time. Featuring a Unified Glare Rating (UGR) of less than 19, Flat Optics refract light to eliminate glare and improve comfort for inhabitants. Constructed with high efficacy LED chipsets and an edge-lit design, the Circa delivers well-balanced light output with a frosted acrylic lens and is ideal for specification across a variety of commercial and institutional spaces including open offices, classrooms, themed areas, retail spaces and healthcare facilities.

Features

PERFORMANCE

- Delivers up to 6500 lumens
- 109 lumens per watt at 4000K

PHYSICAL

- Sizes: 18", 24", and 36" diameters
- Driver box: White, CRS cylinder that mounts directly to an 4" Octagonal and 3" Octagonal junction box. Dimensions: 8" Dia. x 1.5" high

- Luminaire: Die cast aluminum body with powder coat finish. Powder Coated CRS top plate. PS lens with micro prismatic conical structure. UGR<19
- Suspension: 1/16" Aircraft cable (59.1" length), 3 mounting points attach to luminaire and driver box.
- Electrical: 120V-277V AC
- Weight: 11lbs (18"), 13lbs (24"), and 20lbs (36")



Ordering Information

A FIXTURE SERIES

CR Circa Luminaire

B DIAMETER

18	18"
24	24"
36	36"

C MOUNTING STYLE

P Pendant

D CCT

27	2700K
30	3000K
35	3500K
40	4000K

E VOLTAGE

U 120-277V

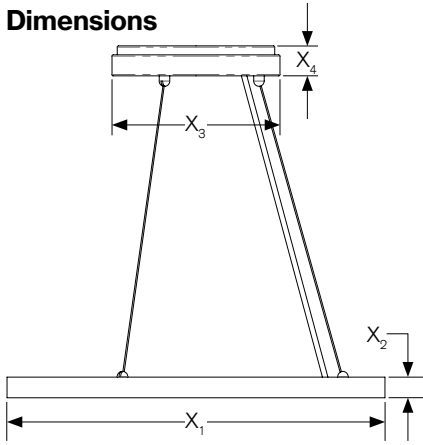
F FINISH

W White

G OPTIONS

E Emergency
ES1 Lutron LDE1 Series
EcoSystem 1% Dimming with
Soft On Fade to Black

Dimensions



	Inches		
	Size 18"	Size 24"	Size 36"
X₁	18"	24"	36"
X₂	1"	1"	1"
X₃	8"	8"	8"
X₄	1.5"	1.5"	1.5"

Photometrics

Coefficients of Utilization
Effective Floor Cavity Reflectance: 20%

RCC %:	80				70				50				30				10				0				
RW %:	70	50	30	0	70	50	30	0	50	30	20	0	50	30	20	0	50	30	20	0	50	30	20	0	
RCR: 0	1.19	1.19	1.19	1.19	1.16	1.16	1.16	1.00	1.11	1.11	1.11	1.06	1.06	1.06	1.02	1.02	1.02	1.00	1.00	1.00	1.00	1.00	1.00	1.00	1.00
1	1.10	1.06	1.03	1.00	1.08	1.04	1.01	.88	1.00	.97	.95	.96	.94	.92	.93	.91	.89	.87	.87	.87	.87	.87	.87	.87	.87
2	1.02	.95	.89	.84	.99	.93	.87	.77	.89	.85	.81	.86	.82	.79	.83	.80	.77	.75	.75	.75	.75	.75	.75	.75	.75
3	.94	.85	.77	.72	.92	.83	.76	.67	.80	.75	.70	.78	.73	.69	.75	.71	.68	.66	.66	.66	.66	.66	.66	.66	.66
4	.87	.76	.68	.62	.85	.75	.67	.59	.72	.66	.61	.70	.65	.60	.68	.63	.59	.57	.57	.57	.57	.57	.57	.57	.57
5	.80	.69	.61	.55	.78	.68	.60	.52	.66	.59	.54	.64	.58	.53	.62	.57	.53	.51	.51	.51	.51	.51	.51	.51	.51
6	.75	.63	.54	.48	.73	.62	.54	.47	.60	.53	.48	.58	.52	.47	.57	.51	.47	.45	.45	.45	.45	.45	.45	.45	.45
7	.70	.57	.49	.43	.68	.56	.49	.42	.55	.48	.43	.53	.47	.43	.52	.47	.42	.41	.41	.41	.41	.41	.41	.41	.41
8	.65	.52	.45	.39	.64	.52	.44	.38	.51	.44	.39	.49	.43	.39	.48	.43	.38	.37	.37	.37	.37	.37	.37	.37	.37
9	.61	.48	.41	.36	.60	.48	.40	.35	.47	.40	.35	.46	.40	.35	.45	.39	.35	.33	.33	.33	.33	.33	.33	.33	.33
10	.57	.45	.37	.32	.56	.44	.37	.32	.43	.37	.32	.43	.36	.32	.42	.36	.32	.30	.30	.30	.30	.30	.30	.30	.30

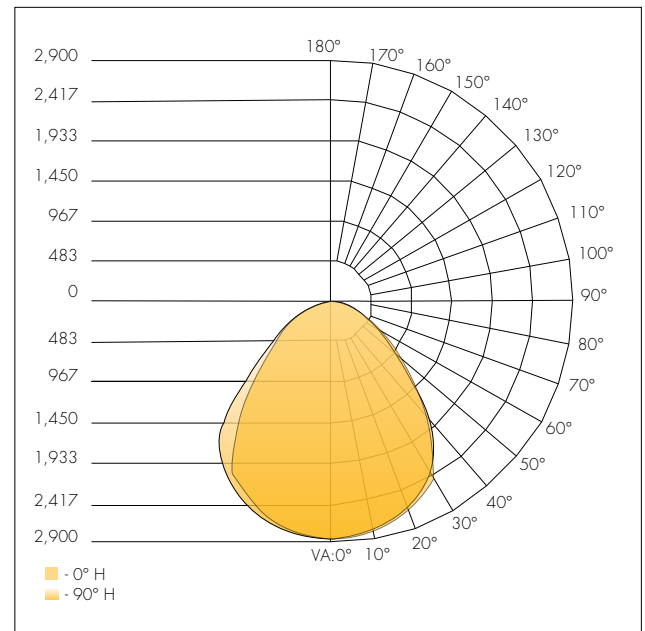
Zonal Lumen Summary

Zone	Lumens	%Lamp	%Luminaire
0-30	2,205.9	36.1%	36.1%
0-40	3,544.4	57.9%	57.9%
0-60	5,365.6	87.7%	87.7%
60-90	750.8	12.3%	12.3%
0-90	6,116.4	100%	100%

Lumen Chart:

	2700K	3000K	3500K	4000K
18" DIAMETER (30W)				
Pendant	2880	2950	3000	3250
24" DIAMETER (40W)				
Pendant	3840	3920	4000	4360
36" DIAMETER (60W)				
Pendant	5760	5880	6000	6540

Model 36" 60W 3500K



Delivered Lumens: 6,116
CRI: 85

Unified Glare Rating (UGR)

DECO LED Flat Panel with Flat Optix™ Lens:

- Light is redirected from 60° to 90° degrees of luminaire, UGR <19
- Conical structures built into the lens minimize high angle glare
- Allows for increased efficacy, rather than lumen output glaring at occupants
- High efficiency and energy saving
- Protection class: IP44 Damp Location Rated
- Increased productivity



□ = Volumetric flat panel with micro-prismatic lens will reduce glare going into the occupant's eyes
 — = 90° = 60°

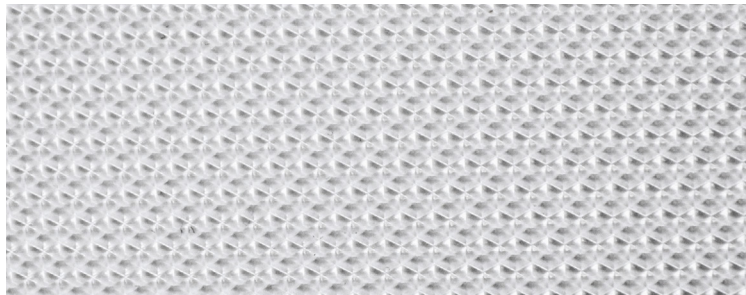
Standard LED Flat Panel:

- Harsh glare at viewing angles above 60°, UGR >24
- Wide beam angle at 120°
- Uncomfortable glare
- Reduction in visibility caused by intense light source in field of view
- Protection class: IP22 protects only from objects greater than 12 millimeters
- Loss of productivity



■ = High glare flat panel makes occupant's eyes feel uncomfortable
 — = 90° = 60°

Flat Optics™ Detail



Micro-prismatic technology redirects high-angle light, reducing visual glare. The light above 60° is suppressed to improve the Unified Glare Rating (UGR). This allows for the luminaire to be IESNA RP1-04 & EN12464 compliant, which are standards for office and indoor lighting.

UGR Criteria

UGR:	Hopkinson's Criterion:
<10	Imperceptible
<13	Just Perceptible
<16	Perceptible
<19	Acceptable
>22	Unacceptable
>25	Just Uncomfortable
>28	Uncomfortable

Micro-prismatic conical structures provide the most optimal luminance of a fixture from any viewing angle. The UGR rating of less than 19 provides the most acceptable glare for task lighting.

Lutron Options

- ES1** EcoSystem digital control, Hi-lume 1% EcoSystem LED driver with Soft-on, Fade-to- Black. Ideal for conference rooms, restaurants, lobbies, ballrooms, and lecture halls. Benefits include: All benefits of the ES5 series plus beautiful, smooth flicker-free dimming down to 1% and a Soft-on, Fade-to- Black™ feature, which provides an incandescent-like experience when transitioning from off to 1% and vice versa.