



# COVENO

## LED Cove Luminaire

Client: \_\_\_\_\_  
Project Name: \_\_\_\_\_

Order #: \_\_\_\_\_  
Type: \_\_\_\_\_ Qty: \_\_\_\_\_

### Performance Data

CRI

90+

CCT

2200K, 2500K, 2700K,  
3000K, 3500K, 4000K,  
Amber

L70 Rating

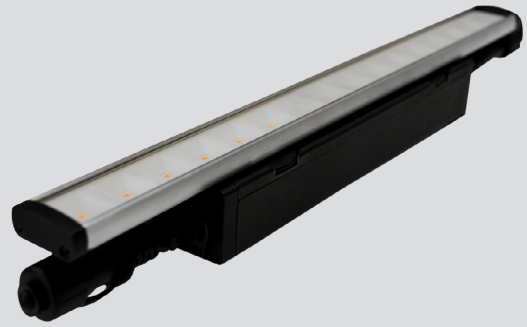
73,000+ Hours (2W-8W)  
150,000+ Hours (10W-12W)

Operating Temperature

-40°C to 50°C Ambient

IP Rating

IP54



<b>10 Yr</b>	<b>USA</b>
Warranty Including Labor	Buy American Act Compliant

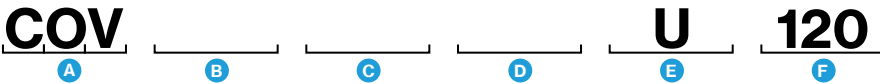
### Description

The Covenov LED cove light features a variety of lumen packages and color temperatures in an ultra slim form factor for interior cove lighting applications. The 120° beam angle and adjustable aiming provide flexibility when illuminating small cove details in restaurant, retail, and hospitality areas. The Covenov luminaire delivers quality illumination with smooth, flicker-free dimming down to 0%.

The Covenov provides ambient illumination by directing light towards the ceiling of an interior space from a ledge or alcove. This creates an effect that either brightens and opens up a space or creates a softer, intimate atmosphere with warmer color temperatures. The Covenov can be used as an indirect fixture for ceiling illumination or as a direct fixture for wall-washing applications.

### Features

- Ability to install in continuous runs
- Dim to 0% ELV Reverse Phase
- Adjustable Aiming: 0° to 180°
- 2-Step MacAdam ellipse color consistency
- Ultra Low-Profile Housing Profile
- 7 CCT options for application versatility
- Power Factor > 0.90, THD < 20%
- Universal Voltage (120-277V)



### Ordering Information

#### A FIXTURE SERIES

COVENO Linear LED Cove Light

#### B LENGTH

1 12"

#### C WATTAGE/LUMENS PER FOOT

2	2W/122 <sup>1</sup>
4	4W/314 <sup>1</sup>
6	6W/491 <sup>1</sup>
8	8W/629 <sup>1</sup>
10	10W/799 <sup>1</sup>
12	12W/879 <sup>1</sup>

#### D CCT

22	2200K
25	2500K
27	2700K
30	3000K
35	3500K
40	4000K
A	Amber

#### E VOLTAGE

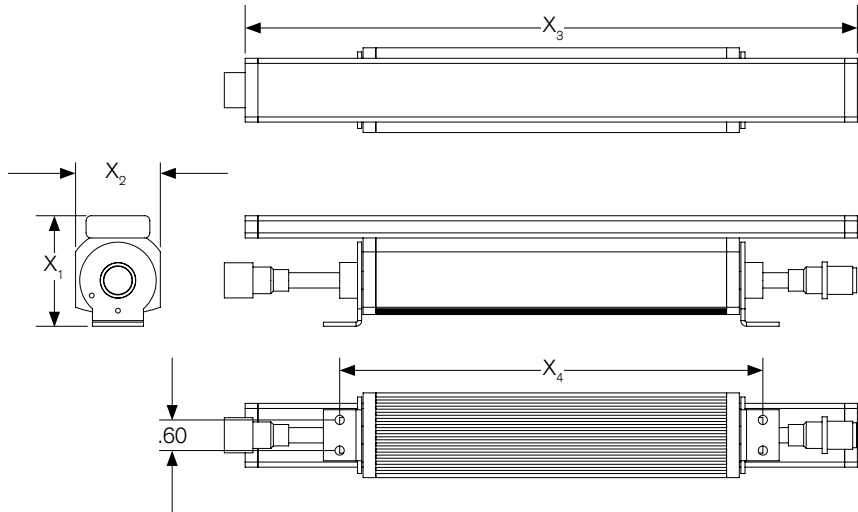
U 120-277V

#### F OPTICS

120 120°

<sup>1</sup> Delivered Lumens (4000K)

Dimensions



	Inches
X <sub>1</sub>	2.17
X <sub>2</sub>	1.66
X <sub>3</sub>	12.00
X <sub>4</sub>	8.15

Maximum Run Lengths

	2W/LF	4W/LF	6W/LF	8W/LF	10W/LF	12W/LF
Volts	Max Run all 1'	Max Run all 1'	Max Run all 1'	Max Run all 1'	Max Run all 1'	Max Run all 1'
120	214	186	152	114	91	76
220	374	340	277	209	95	95
277	374	374	349	263	95	95