



DECO | LIGHTING

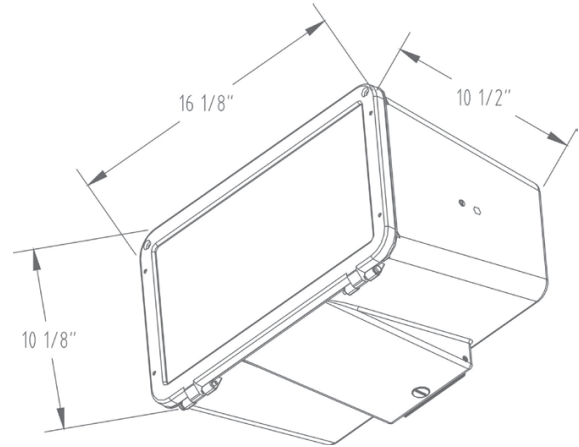
D206-LED

Large Flood Light



Job Information

Type:	
Catalog #:	
Project:	
Comments:	
Prepared by:	



Description

The Deco Lighting D206-LED Large Flood light blends well in almost any setting and provides the precision and maneuverability needed to create an attractive and functional lighting. It is available with slip fitter, yoke, wall mount, or pole tenon brackets which allow for maximum mounting flexibility. Use the D206-LED Large Flood is great for banks, restaurants, commercial landscape projects, and architectural settings.

Ordering Information

Example: (D206-LED-120-50-480-T5-SF-BL-PC)

D206-LED

Series	Wattage/Lumen	Color Temp.	Voltage	Optics	Mounting	Finish	Option			
Large Flood Light	20	20W/2200 ³	30	3000K	UNV	120-277V	T2 Type 2 T3 Type 3 T4 Type 4 T5 Type 5 ¹ NSP 11 ^{6,7} MSP 29 ^{6,7} MFL 67 ^{6,7}	SF Slip Fitter (fits 2 3/8" Tenon) YM Yoke Mount SWB Wall Bracket Requires Yoke Mount FLPTM Pole Tenon Mount (2 3/8") Requires Yoke Mount	BZ Bronze ¹ BL Black WH White CU Custom ²	PC Photocell WSF Wired Single Fuse ⁴ WDF Wired Double Fuse ⁴ GS Glare Shield WG Wire Guard MS Motion Sensor
	30	30W/3300 ^{3,8}	35	3500K						
	40	40W/4050 ³	40	4000K	480	480V				
	60	60W/6600 ^{3,8}	50	5000K ¹						
	80	80W/9400 ^{3,7,8}				(Step-Down Transformer used for 347-480V)				
	100	100W/11200 ^{3,7,8}								
	120	120W/13700 ^{3,7,8}								
	150	150W/16380 ^{3,5}								

¹Standard for fixture
²Contact factory for custom finish
³Delivered Lumens (5000K Type 5 distribution)
⁴Please specify voltage (eg. 120V)
⁵Max Ambient Temperature is 50°C
⁶Flood beam optics are under clear glass
⁷Flood beam optics only available on 80W-120W packages
⁸DLC-Listed wattage (See DLC matrix on Page 2 for additional information on models currently listed)



Deco Lighting practices a program of continuous product development, and as a result product specifications change frequently. We reserve the right to change product specifications without notice. Contact Deco for the latest product information.

©2017 Deco Lighting, www.getdeco.com T: (800) 613-DECO F: (310) 366-6855
 Rev Date: 8/15/17 #5

Digitize your light.®

Features

- Die cast aluminium housing is lightweight yet rugged.
- Cast door frame hinges are removable for servicing via a two screw enclosure.
- Bronze powder coated protective finish.
- UL and CSA approved suitable for wet locations.
- DLC Listed (See DLC Matrix below)

Performance Data

CRI:	80+
CCT:	3000K, 3500K, 4000K, 5000K
Warranty:	10 yr. Limited Warranty
Dimming:	Available with 0-10V inputs dimming down to 10%
Operating Temperature:	-30° to +60°C Ambient
L70 Rating @ 25°C Ambient Temp:	100,000+ Hours
IP Rating:	IP65
Sound Rating:	Class A (inaudible in a 24dB ambient environment)
Power Factor:	>0.90
Total Harmonic Distortion:	<20%
EPA Rating:	1.407 ft²

Delivered Light Output & Equivalency Chart

HID to LED Replacement		
DELIVERED LUMENS	HID	LED Replacement
1300lm	50W	10W
2600lm	70W	20W
3900lm	100W	30W
5200lm	150W	40W
7800lm	175W	60W
11700lm	250W	80W
15600lm	400W	120W
26000lm	750W	200W
31200lm	1000W	240W

Interested in upgrading from HID to LED lighting? Use the conversion table above to get a general idea of what wattage LED fixture will replace your current lighting system. Lumen output and overall performance will vary by fixture, so please contact our factory or your nearest sales rep regarding specific questions on what wattage will best suit your desired space and application.

DLC Listing

	30W	60W	80W	100W	120W
3000K	X	X	X	X	X
3500K					
4000K	X	X	X	X	X
5000K	X	X	X	X	X

Motion Sensor & Bi-Level

FSP-211

The FSP-211 mounts in an outdoor lighting fixture and provides multi-level control based on motion. The sensor also includes a photocell to measure the ambient light level. It controls 0-10 VDC LED drivers and with an SFP-LX Lens, is rated for wet and cold locations. All control parameters are adjustable via a wireless configuration tool capable of storing and transmitting sensor profiles.

Key Factors:

- Full adjustable high and low dimmed light levels.
- Designed for LED fixtures; rated for extreme temperatures and up to 200,000 on/off cycles
- Hold off set point with automatic calibration option for convenience and added energy savings
- Adjustable via hand-held wireless configuration tool
- IP66 rated with choice of lenses for wet and outdoor locations and mounting heights from 8'
- Adjustable time delay and cut off delay
- 120-277V Standard (347V or 480V with FSP-201 model)



Mounting Options

Wall Bracket	Pole Tenon Mount	External Mount Slip Fitter
		