



D206-LED

Large Flood Light

Client: _____ Order #: _____
Project Name: _____ Type: _____ Qty: _____



Performance Data

CRI

70+

CCT

3000K, 3500K, 4000K, 5000K

Projected Lifetime

221,000 Hours (L70);
136,000 Hours (L80)

Dimming

0-10V dimming standard,
100% down to 10%

Operating Temperature

-40°C to +55°C Ambient

UL Listed

Suitable for dry, damp, wet
locations

UL Listed	10 Yr Warranty Including Labor	USA Buy American Act Compliant
---------------------	---	---

Description

The Deco Lighting D206-LED Large Flood light blends well in almost any setting and provides the precision and maneuverability needed to create an attractive and functional lighting. It is available with slip fitter, yoke, wall mount, or pole tenon brackets which allow for maximum mounting flexibility. Use the D206-LED Large Flood is great for banks, restaurants, commercial landscape projects, and architectural settings.

Features

- Die cast aluminium housing is lightweight yet rugged.
- Cast door frame hinges are removable for servicing via a two screw enclosure.
- Bronze powder coated protective finish.
- UL and CSA approved suitable for wet locations.
- Type 5 distribution standard for large coverage, along with three flood angles for tighter flood beams
- Delivers up to 120 lumens per watt at 5000K

D206-L



Ordering Information

A FIXTURE SERIES

D206-L Large Flood Light

B WATTAGE/LUMENS

100	100W/12000 ³
120	120W/14400 ³
150	150W/18000 ^{3,4}

C CCT

30	3000K
35	3500K
40	4000K
50	5000K ¹

D VOLTAGE

U	120-277V ¹
K	347-480V

E OPTICS

5	Type 5 ¹
N	Narrow 40°
M	Medium 55°
W	Wide 70°

F MOUNTING

SF	Slip Fitter (fits 2 3/8" Tenon)
YM	Yoke Mount
WB	Wall Bracket Requires Yoke Mount

G FINISH

Z	Bronze ¹
B	Black
W	White
C	Custom ²

H OPTIONS

T	Photocell
H	Glare Shield
G	Wire Guard
M	Motion Sensor

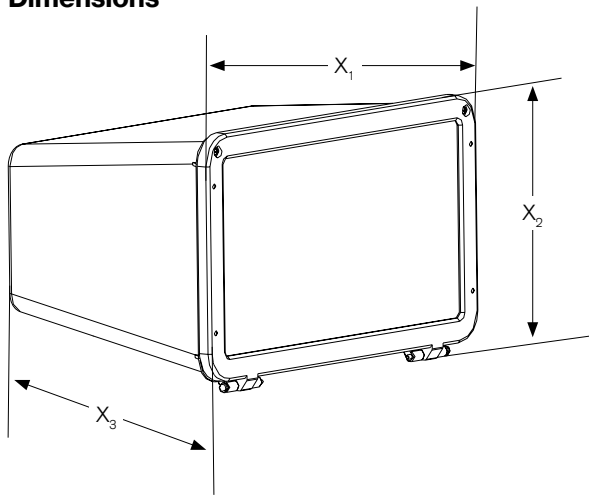
¹ Standard for fixture

² Contact factory for custom finish

³ Delivered Lumens (5000K Type 5 Distribution)

⁴ Max Ambient Temperature is 50°C

Dimensions



	Inches
X ₁	16.125
X ₂	10.50
X ₃	10.125

Mounting Options

Slip Fitter



Yoke Mount



Wall Bracket



Step Dimming & Bi-Level

FSP-211

The FSP-211 mounts in an outdoor lighting fixture and provides multi-level control based on motion. The sensor also includes a photocell to measure the ambient light level. It controls 0-10 VDC LED drivers or dimming ballasts, as well as non-dimming ballasts and, with an SFP-LX Lens, is rated for wet and cold locations. All control parameters are adjustable via a wireless configuration tool capable of storing and transmitting sensor profiles.

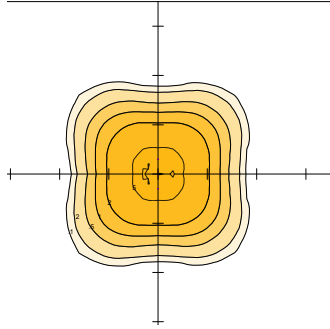
Key Factors

- Fully adjustable high and low dimmed light levels.
- Designed for LED fixtures; rated for extreme temperatures and up to 200,000 on/off cycles
- Hold off setpoint with automatic calibration option for convenience and added energy savings
- Adjustable via handheld wireless configuration tool
- IP66 rated with choice of lenses for wet and outdoor locations, and mounting heights from 8' to 40'
- Adjustable time delay and cut off delay



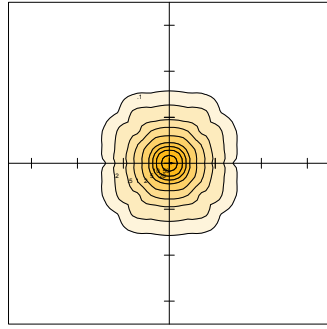
Photometrics

150W at 15'



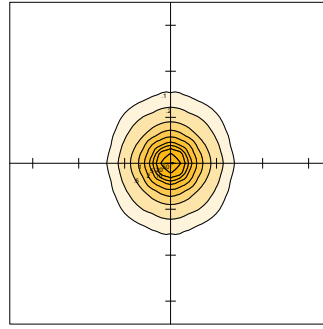
T5 Optics
Lumens: 18000
Maximum Calculated
Value: 5.78 Fc

150W at 15'



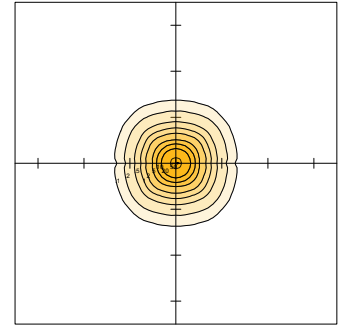
Narrow 40° Optics
Lumens: 18600
Maximum Calculated
Value: 101.85 Fc

150W at 15'



Medium 55° Optics
Lumens: 18400
Maximum Calculated
Value: 97.32 Fc

150W at 15'



Wide 70° Optics
Lumens: 18700
Maximum Calculated
Value: 59.26 Fc