



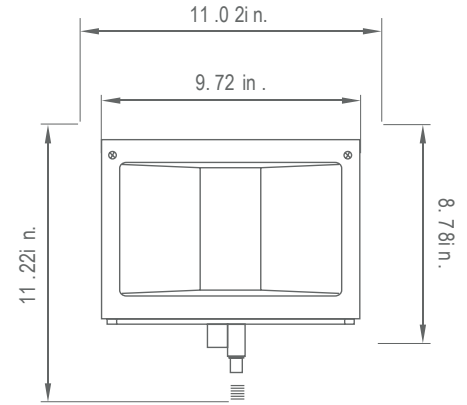
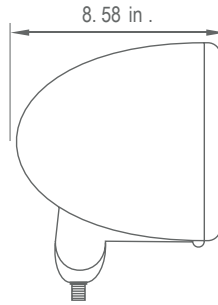
DECO® | LIGHTING

D211-LED

Medium Round Back Flood

Job Information

Type:	
Catalog #:	
Project:	
Comments:	
Prepared by:	



Description

The functional and aesthetically pleasing D211-LED is ideal for buildings, backyards, parks, signs, sports fields, and other general applications where flood lighting may come into use. Also suitable for accent, facade, landscape, parking lot, pathway, recreation, retail and security lighting.

Ordering Information

Example: (D211-LED-60-50-UNV-T5-YM-BZ-PC)

D211-LED

Series	Wattage/Lumen	Color Temp.	Voltage	Optics	Mounting	Finish	Option							
Medium Round Back Flood	20	20W/2492 ^{3,6,7}	30	3000K	UNV	120-277V	T3	Type 3	SF	Slip Fitter	BZ	Bronze ¹	PC	Photocell
	30	30W/3481 ^{3,6,7}	35	3500K	347	347V	T4	Type 4	HK	Heavy Duty Adjustable Knuckle	BL	Black	WDF	Wired Double Fuse ⁴
	40*	40W/4373 ^{3,6,7}	40	4000K	480	480V	T5	Type 5 ¹	PF	Post Top Fitter	WH	White	WSF	Wired Single Fuse ⁴
	60	60W/7014 ^{3,6,7}	50	5000K ¹	(Step-Down Transformer used for 480V Divider)		NSP	11° ^{5,6}	GST	Ground Stake Top Fitter	CU	Custom ²	TP	Tamper Proof
	80	80W/8935 ^{3,6,7}					MSP	29° ^{5,6}	YM	Yoke Mount			GS	Glare Shield
							MFL	67° ^{5,6}					PG	Polycarbonate Lens Shield
													WG	Wire Guard

¹ Standard for fixture

² Contact factory for custom finish

³ Delivered Lumens (5000K Type 5 Optic)

⁴ Please specify voltage (eg. 120V)

⁵ Flood Beam Optics are Under Clear Glass

⁶ Flood Beam Optics Available 60W & Lower Packages Only

⁷ DLC Listed wattage (see matrix on Page 3 for more info on models currently listed)

Deco Lighting practices a program of continuous product development, and as a result product specifications change frequently. We reserve the right to change product specifications without notice. Contact Deco for the latest product information.

©2017 Deco Lighting, www.getdeco.com T: (800) 613-DECO F: (310) 366-6855 Rev Date: 6/30/17 #7



Digitize your light.®

Features

- Rugged cast aluminium “round back” housing protects internal components.
- Die-cast aluminium door with twin screw enclosure and hinged bottom.
- Tempered, impact resistant glass lens with weather tight gasket seal.
- Large .5” universal aiming swivel knuckle with various mounting adapters
- Slip Fitter mounting bracket designed to fit 2 3/8” pole
- Wide, uniform beam for signs, facades and small areas.
- Bronze or white protective powder coated finish.
- UL 1598 listed for wet locations, Approx. Weight: 13 lbs
- DLC listed for utility rebates (see matrix on Page 3 for more info)

Performance Data

CRI:	80+
CCT:	3000K, 3500K, 4000K, 5000K
Warranty:	10 yr. Limited Warranty
Dimming:	Available with 0-10V inputs dimming down to 10%
Operating Temperature:	-30° to +50°C Ambient
Lifetime Ratings @ 25°C Ambient:	L70 - 118,000 Hours; L80 - 72,000 Hours
IP Rating:	IP65
Sound Rating:	Class A (inaudible in a 24dB ambient environment)
Power Factor:	>0.90
Total Harmonic Distortion:	<20%

Delivered Light Output & Equivalency Chart

HID to LED Replacement		
DELIVERED LUMENS	HID	LED Replacement
1300lm	50W	10W
2600lm	70W	20W
3900lm	100W	30W
5200lm	150W	40W
7800lm	175W	60W
11700lm	250W	80W
15600lm	400W	120W
26000lm	750W	200W
31200lm	1000W	240W

Interested in upgrading from HID to LED lighting? Use the conversion table below to get a general idea of what wattage LED fixture will replace your current lighting system. Lumen output and overall performance will vary by fixture, so please contact our factory or your nearest sales rep regarding specific questions on what wattage will best suit your desired space and application.

Options & Accessories

Glare Shield	Polycarbonate Lens Shield	Wire Guard	Heavy Duty Adjustable Knuckle
			
			
HID Ground Stake	Yoke Mount	External Mount Slip Fitter	Post Top Fitter

DLC Listed

	20W			30W			40W			60W			80W		
	T3	T4	T5	T3	T4	T5	T3	T4	T5	T3	T4	T5	T3	T4	T5
4000K	X	X	X	X	X	X	X	X	X	X	X	X	X	X	X
5000K	X	X	X	X	X	X	X	X	X	X	X	X	X	X	X

Lumen Chart

5000K Lumen Data				
Model Number	System Watts	T3	T4	T5
D211-LED-20-50-UNV	19	2295	2436	2492
D211-LED-30-50-UNV	27	3209	3407	3481
D211-LED-40-50-UNV	36	4031	4281	4373
D211-LED-60-50-UNV	56	6466	6866	7014
D211-LED-80-50-UNV	76	8236	8746	8935

*To scale to 4000K, multiply 5000K values by 0.97

Projected LED Maintenance

Operating Hours	0	25,000	50,000	75,000	100,000
Lumen Maintenance Factor	25°C Ambient Outdoor Temp (77°F)				
	1	0.92	0.85	0.79	0.74
	35°C Ambient Outdoor Temp (95°F)				
	1	0.88	0.78	0.70	0.62