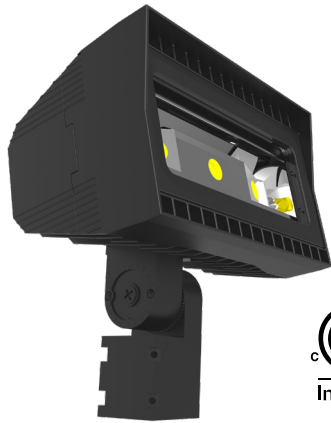


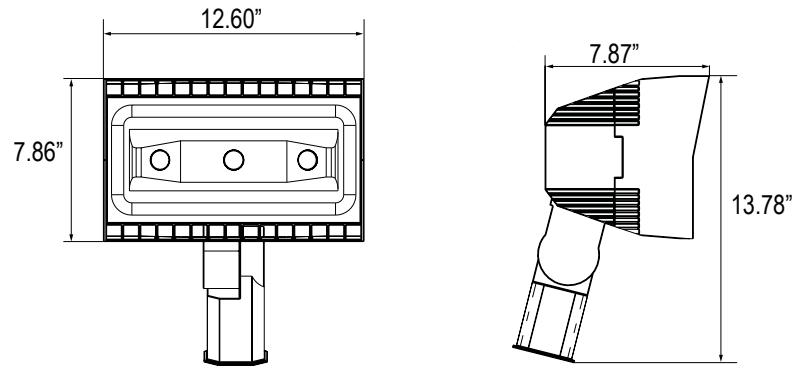
D212-LED

Large Flood Light



Job Information

Type:	
Catalog #:	
Project:	
Comments:	
Prepared by:	



Description

The functional and aesthetically pleasing D212-LED is ideal for buildings, backyards, parks, signs, sports fields, and other general applications where flood lighting may come into use. Also suitable for accent, facade, landscape, parking lot, pathway, recreation, retail and security lighting.

Features

- High pressure die-cast housing, anti-static powder painting.
- Highly thermal conductive material and high efficiency cooling system
- Efficient COB ensures excellent performance.
- ETL Listed; IP65 rated
- Weight: 21 lbs (80W); 22 lbs (120W)
- Wide Flood Beam: NEMA 6H x 6V
- 10-Year Limited Warranty
- Slip Fitter sized for 2-3/8" tenon

Ordering Information

Example: (D212-LED-120-40-U-SF-BZ-T)

D212-LED

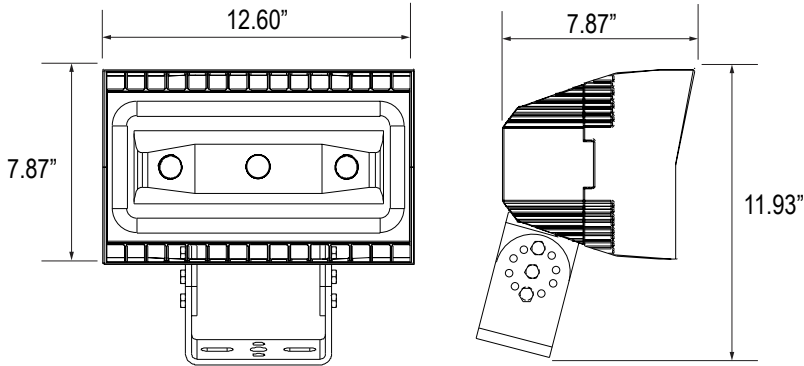
Series	Wattage/Lumen	Color Temp.	Voltage	Mounting	Finish	Options ³
Flood Light	80 80W/9370 ^{1,2} 120 120W/13150 ^{1,2}	40 4000K ² 50 5000K ²	U 122-277V	SF Slip Fitter YM Yoke Mount	BZ Bronze	T Twist-Lock Photocell

¹ Delivered lumens (4000K) - For 5000K multiply by 1.03

² DLC Listed

³ Shipped separately

Other Views



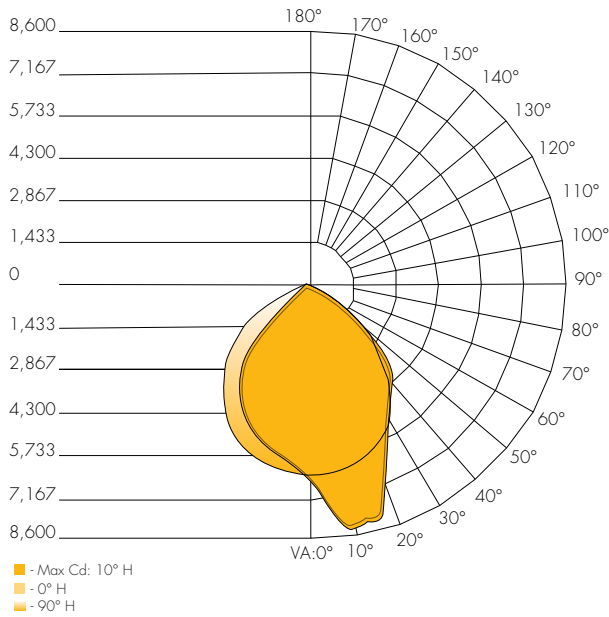
Performance Data

CRI:	70+
CCT:	4000K, 5000K
Dimming:	Available with 0-10V inputs dimming down to 10%
Operating Temperature:	-40°C to +40°C Ambient
Projected Lifetime:	130,000 Hours (L70); 82,000 Hours (L80)
Power Factor:	> 0.95
Total Harmonic Distortion:	< 15%
IP Rating:	IP65

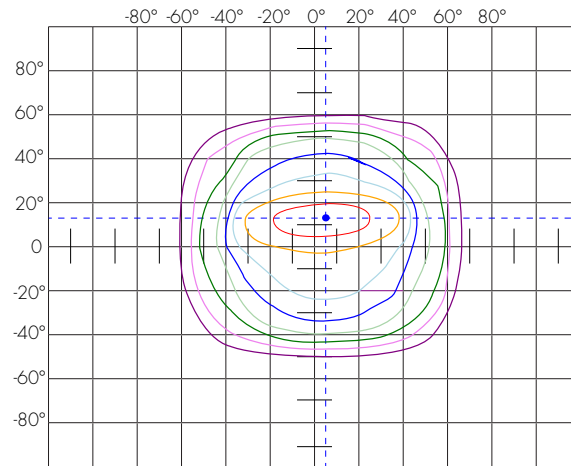
Photometric Data

120W 4000K

Polar Candela Distribution



Isolux Plot



■ Cd: 7,666, 90%	■ Cd: 3,407 40%
■ Cd: 6,388, 75%	■ Cd: 2,555, 30%
■ Cd: 5,111, 60%	■ Cd: 1,704, 20%
■ Cd: 4,259, 50%	■ Cd: 852, 10%
- - - Point of Max Cd: 8,584.0	

Flood Summary

	Efficiency	Lumens	Horizontal Spread	Vertical Spread
Field (10%)	97.5%	12,801.6	126.6	109.3
Beam (50%)	63.8%	8,382.3	85.5	75.8
Total:	99.8%	13,104.8		

Mounting Options

	Front Side	Side View
Yoke Mount		
Slip Fitter		