



D303-LED

Round Top Clear Bollard

Client: _____
Project Name: _____

Order #: _____
Type: _____ Qty: _____

Performance Data

CRI
83

CCT
4000K, 5000K

Projected Lifetime
100,000+ Hours (L70)

Dimming
0-10V Dimming Standard,
100% down to 10%

Operating Temperature
-40°C to +40°C Ambient

CSA Listed
Suitable for dry, damp, wet
locations



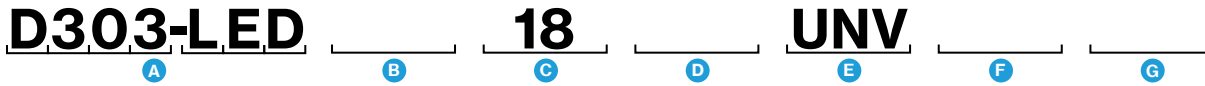
10 Yr Warranty Including Labor	USA Buy American Act Compliant
---	---

Description

Deco Lighting is proud to introduce its family of 7" diameter round bollard. These fixtures provide uniform illumination, superior spacing, and remarkable brightness control. Each bollard features rugged construction, and comes supplied with silicone gasketing to assure years of trouble free service.

Features

- IES Type VS Clear Prismatic Glass Refractor
- Extruded aluminum housings with flush mounting base.
- Vandal resistant screws, Powdercoated finish.
- Clear polycarbonate lenses, cast aluminum louvers
- Mounting Kit with 8" Anchor Bolts included
- Standard color is bronze; also available in black and white.
- Contact factory for custom finishes.



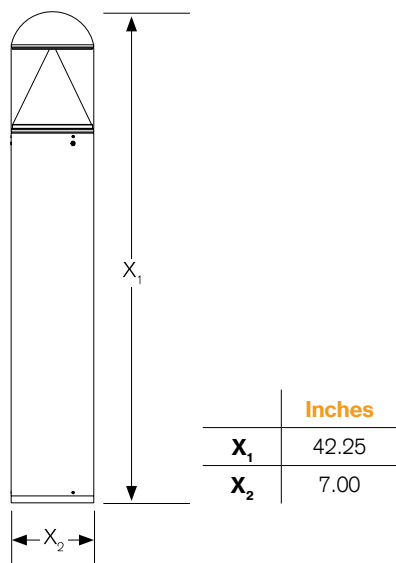
Ordering Information

A FIXTURE SERIES	D303-LED	Round Top Clear Bollard
B HEIGHT	31	31"
	43	43"
C WATTAGE/LUMENS	18	18W/1510 ³
D CCT	40	4000K
	50	5000K
E VOLTAGE	UNV	122-277V

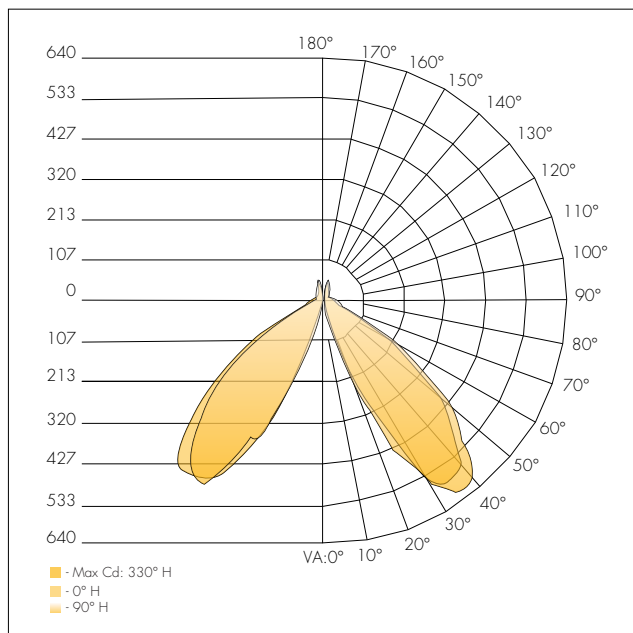
F FINISH	BZ	Bronze ¹
	BL	Black
	WH	White
	CU	Custom ²
G OPTION	SP	Surge Protection
	EM	Emergency Operation
	G	GFCI Outlet
	S	180 Glare Shield

¹Standard color
²Contact factory for custom finish
³Delivered Lumens (5000K)

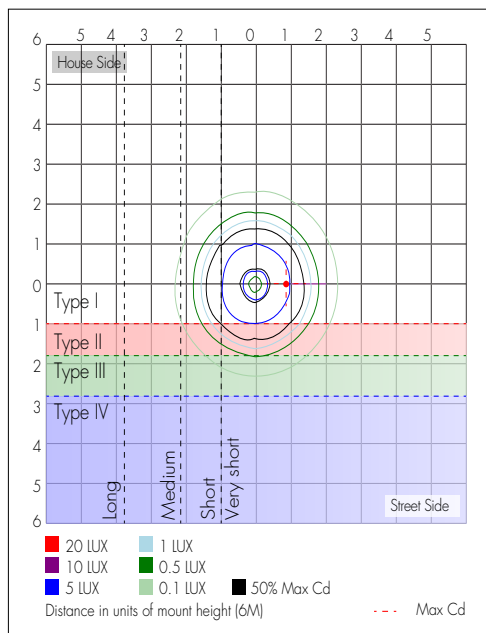
Dimensions



Model 18W 5000K



Isofootcandle



Zonal Lumen Summary

Zone	Lumens	% Luminaire
0-30	208.0	13.8%
0-40	562.6	37.2%
0-60	1,214.3	80.4%
60-90	179.5	11.9%
70-100	113.2	7.5%
90-120	53.1	3.5%
0-90	1,393.8	92.3%
90-180	117.0	7.7%
0-180	1,510.8	100%

Lumen Output

Lumen Chart

Wattage	4000K	5000K
18	1450	1510

*Lumen outputs are based on 5000K performance data and then scaled down to the other temperatures.

LED Battery Backup

- Provides 90 mins of backup power.
- 100-277/50-60Hz Input Voltage
- Operation Temp Range: 0°-50°C
- Green LED Indicator for Stand-by Mode
- Optional Test Switch
- Short-Circuit, Overload, and No Load Protection
- Low Battery Shutdown to Protect Battery From Deep-Discharging
- RoHS Compliant

