



DECO® | LIGHTING

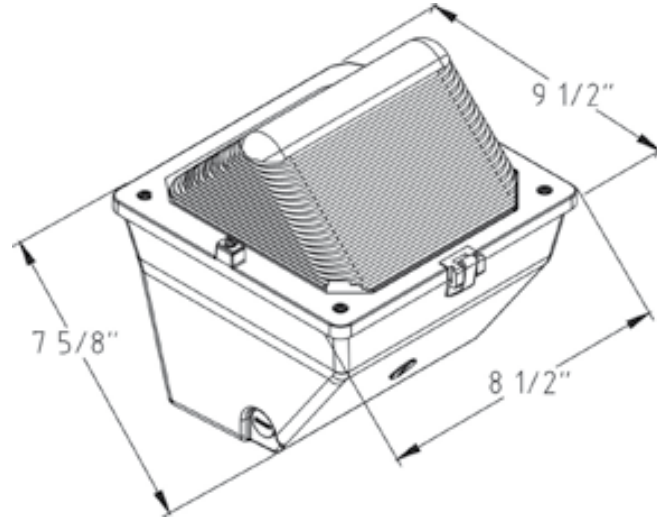
D400-LED

Small Wall Pack



Job Information

Type:	
Catalog #:	
Project:	
Comments:	
Prepared by:	



Description

The D400-LED with its low profile, compact design is excellent for security, accent and perimeter lighting in areas such as building facades, entrance ways, garage doors, indoor parking garages, tunnels, overpasses and alleys.

Ordering Information

Example: (D400-LED-40-30-UNV-BL-FC)

D400-LED

Series	Wattage/Lumen	Color Temp.	Voltage	Finish	Option
Small Wall Pack	10 10W/1020 ³	30 3000K	UNV 120-277V	BZ Bronze ¹	PC Photocell
	20 20W/2030 ³	35 3500K	347 347V	BL Black	WSF Wired Single Fuse
	30 30W/3045 ³	40 4000K	480 480V	WH White	WDF Wired Double Fuse
	40 40W/4060 ³	50 5000K ⁴	(Step-Down Transformer used for 480V Divider)	CU Custom ²	MP Mounting Plate
					FC Full Cutoff Visor (Dark Sky)
					WG Wire Guard
					GS Glare Shield

¹ Standard for fixture

² Contact factory for custom finish

³ Delivered Lumens (5000K)

⁴ Standard Color Temp.

Deco Lighting practices a program of continuous product development, and as a result product specifications change frequently. We reserve the right to change product specifications without notice. Contact Deco for the latest product information.

©2017 Deco Lighting, www.getdeco.com T: (800) 613-DECO F: (310) 366-6855
Rev Date: 10/4/17 #2

Features

- Heavy duty two piece, die-cast aluminum housing.
- Type IV light distribution
- Silicone gasketing provides protection against moisture.
- Mounts directly to 3.5" octagon or 4" square outlet box.
- .5" NPS tapped holes provided in three locations for surface conduit entry or optional photo control.
- Dark bronze polyester powder coated finish for impact, corrosion and UV resistance.
- UL listed for wet locations, IP55 rated
- Integral cast-in aluminum hinges permit complete removal of lens frame assembly without tools.
- Clear prismatic borosilicate glass refractor is thermal and shock resistant.

Performance Data

CRI:	80+
CCT:	3000K, 3500K, 4000K, 5000K
Warranty:	10 yr. Limited Warranty
Dimming:	0-10V Dimming Standard (100% down to 10%)
Operating Temperature:	-30°C to +55°C Ambient
L70 Rating:	182,000 Hours (25°C Ambient); 104,000 Hours (50°C Ambient)
IP Rating:	IP55
Power Factor:	> 0.90
Total Harmonic Distortion (THD):	> 20%
Sound Rating:	Class A (inaudible in a 24dB ambient environment)

Delivered Light Output & Equivalency Chart

HID to LED Replacement		
DELIVERED LUMENS	HID	LED Replacement
1300lm	50W	10W
2600lm	70W	20W
3900lm	100W	30W
5200lm	150W	40W
7800lm	175W	60W
11700lm	250W	80W
15600lm	400W	120W
26000lm	750W	200W
31200lm	1000W	240W

Interested in upgrading from HID to LED lighting? Use the conversion table below to get a general idea of what wattage LED fixture will replace your current lighting system. Lumen output and overall performance will vary by fixture, so please contact our factory or your nearest sales rep regarding specific questions on what wattage will best suit your desired space and application.