

D402-LED Shield Installation

IMPORTANT SAFETY INSTRUCTIONS

1. Read carefully before installing fixture. Retain for future reference.

⚠ WARNING To prevent electrical shock, turn off electricity at fuse box before proceeding.

2. Failure to follow instructions may result in serious injury or death.

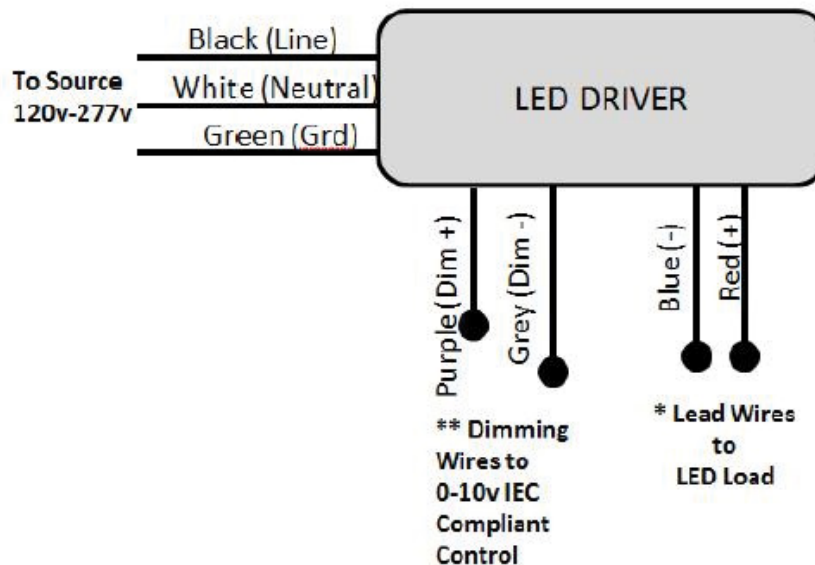
3. Upon receipt the fixture, thoroughly inspect for any freight damage which should be brought to the attention of the delivery carrier. Compare the catalog description listed on the package slip with the fixture label on the housing to assure you have received material.

4. This fixture must be wired in accordance with the international electrical code and applicable local codes and ordinances. Proper grounding is required to insure personal safety. Carefully observe the correct grounding procedure under installation section.

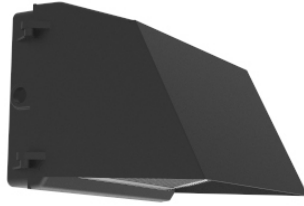
5. DECO luminaires may be damaged if connected to conduit systems containing water - Article 300-5G of National Electric Code requires that “Conduits or raceways through which moisture may contact energized live parts shall be sealed or plugged at either or both ends”.

*Deco Lighting assumes no responsibility for claims arising out of improper or careless handling or installation of this product.

General Wiring Diagram

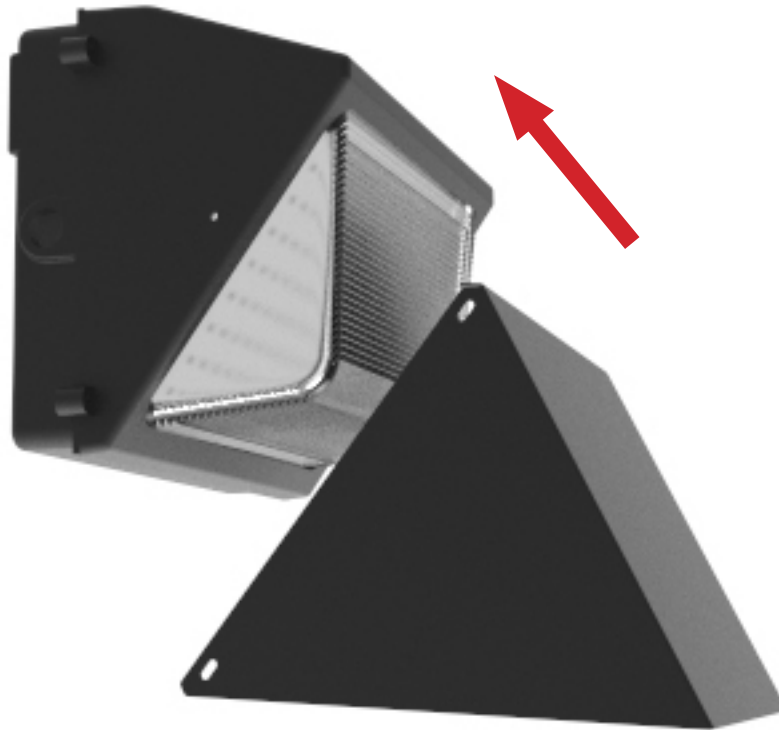


Deco Lighting practices a program of continuous product improvement, and as a result product specifications change frequently. We reserve the right to change product specifications without notice. Contact Deco for the latest product information.



D402-LED Shield Installation

Installation:



1. Place shield on face of fixture. Align holes in shield with pre-drilled holes in fixture. Attach customer supplied chain to the V-hooks and mounting surface.
2. Insert screw through shield into pre-drilled holes. Tighten screws

NOTE:

Do not over tighten