



DECO | LIGHTING

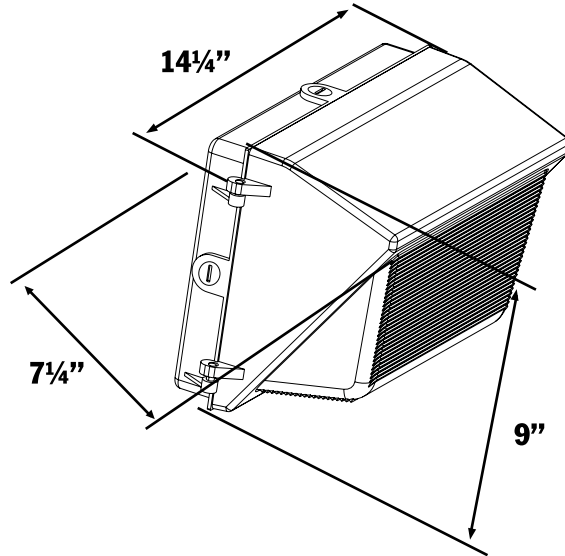
# D402-LED

## Medium Wall Pack



### Job Information

Type:	
Catalog #:	
Project:	
Comments:	
Prepared by:	



### Description

The D402-LED medium wall pack provides a durable and efficient exterior light source for any application with maximum performance and minimum maintenance. Available as a build-to-order fixture or [quickship model](#) as part of the Defender Series (see Page 2 for ordering code).

### Ordering Information

Example: (D402-LED-60-40-U-BZ-Q-E)



Series	Wattage/Lumen	Color Temp.	Voltage	Finish	Lens Type	Option
Medium Wall Pack	60 60W/6100 <sup>3,4</sup>	40 4000K 50 5000K <sup>1</sup>	U 120-277V <sup>1</sup> K 347-480V	BZ Bronze <sup>1</sup> BL Black WH White CU Custom <sup>2</sup>	Q Prismatic Glass Lens	T Photocell E Emergency Battery Pack G Wire Guard <sup>5</sup> F Full Cutoff Visor <sup>5</sup> H Side Cutoff <sup>5</sup> V Vandal Resistant Guard <sup>5</sup>

<sup>1</sup> Standard for fixture  
<sup>2</sup> Contact factory for custom finish  
<sup>3</sup> Delivered Lumens (5000K)  
<sup>4</sup> DLC Listed Wattage (see Page 2 for models currently listed)  
<sup>5</sup> Shipped separately

Deco Lighting practices a program of continuous product development, and as a result product specifications change frequently. We reserve the right to change product specifications without notice. Contact Deco for the latest product information.

©2018 Deco Lighting, www.getdeco.com T: (800) 613-DECO F: (310) 366-6855  
Rev Date: 03/22/18 #2

### Features

- Bronze powder coated paint finish is standard, for other colors please refer to the build-to-order spec sheet (separate document)
- Heavy-duty, two-piece die-cast aluminium housing is top-hinged for easy maintenance.
- Two captive stainless steel door fasteners.
- 1/2" threaded conduit entry with coin plug.
- DLC Listed for Utility Rebates (see DLC chart below for models listed)
- Clear prismatic borosilicate glass reflector is thermal/shock resistant.
- Computer designed and precision formed specular aluminium reflector.
- Lightweight back plate is easily attached to wall.
- Dark bronze polyester powder finish for excellent impact, corrosion and UV resistance.
- Approx. Weight: 10 lbs.
- CSA Listed, suitable for Wet Locations

### Performance Data

CRI:	82+
CCT:	4000K, 5000K
Warranty:	10 yr. Limited Warranty
Dimming:	0-10V Dimming Standard, 100% down to 10%
Operating Temperature:	-30°C to +50°C Ambient
L70 Rating:	165,000 Hours
IP Rating:	IP66
Sound Rating:	Class A (inaudible in a 24dB ambient environment)

### DLC Listing

	<b>60W</b>
<b>4000K</b>	X
<b>5000K</b>	X

### Lumen Chart

Nominal Wattage	5000K Lumens	Efficacy (lm/W)
60W	6100	103

\*For 4000K lumen output, multiple values by a factor of 0.95

### Quickship Model

#### D402-LED4050UBZQ

(40W, 5000K, 120-277V, Bronze, Glass Lens, No Options)

- For additional information, refer to the Quickship spec sheet ([separate document](#))

### Options

F - Full Cutoff Visor	H - Side Cutoff	V - Polycarbonate Vandal Resistant Guard	G - Wire Guard
			