



DECO | LIGHTING

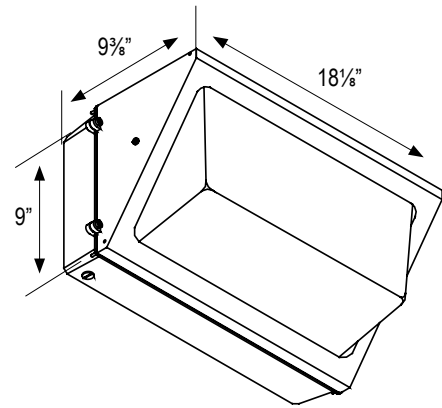
# D404-LED

## Large Wall Pack - Quickship



### Job Information

Type:	
Catalog #:	
Project:	
Comments:	
Prepared by:	



### Description

The D404-LED large low profile wall pack offers reliable performance with a wide range of uses. It delivers the lighting needed for the exteriors of retail buildings, businesses, walkways, underpasses or door entrances. The D404 quickship fixture is designed as a go-to wall lighting solution for fast track projects in need of product on site immediately.

### Ordering Information

Example: (D404-LED-70-50-U-BZ-Q-F)

D404-LED

Series	Wattage/Lumen	Color Temp.	Voltage	Finish	Lens Type	Options
D404 Large LED Wall Pack Luminaire	70 70W/8150 <sup>1,2</sup>	50 5000K <sup>2</sup>	U 120-277V	BZ Bronze	Q Prismatic Glass Lens	T Photocell G Wire Guard <sup>3</sup> F Full Cutoff Visor <sup>3</sup> H Side Cutoff <sup>3</sup> V Vandal Resistant Guard <sup>3</sup>

<sup>1</sup>Delivered Lumens (5000K) - See Page 3 for lumen chart  
<sup>2</sup>DLC Listed Model -- See Page 3 for DLC matrix on models currently listed  
<sup>3</sup>Option shipped separately

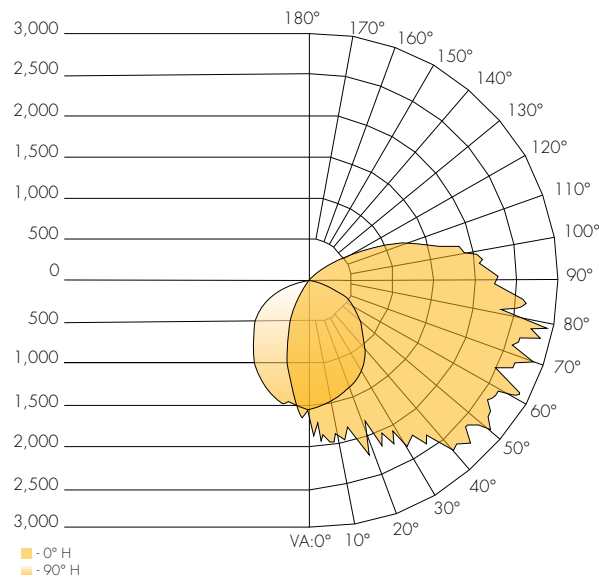
### Features

- Heavy duty two piece, die-cast aluminum housing with a textured bronze UV resistant finish over a chromate conversion coating.
- Specular anodized aluminum reflector.
- Silicone gasketing provides protection against moisture.
- Mounts directly to 3.5" octagon or 4" square outlet box.
- 1/2" NPS tapped holes provided in three locations for surface conduit entry or optional photo control.
- Clear prismatic borosilicate glass refractor is thermal and shock resistant.
- Integral cast-in aluminum hinges permit complete removal of lens frame assembly without tools.
- Front housing is hinged for easy relamping and is complete with silicone gasket seal.
- Type IV distribution
- CSA Listed for Wet Locations, IP55
- Includes Select-A-Watt adjustable LED driver (30W-50W-70W), factory set at 70W and field adjustable during installation

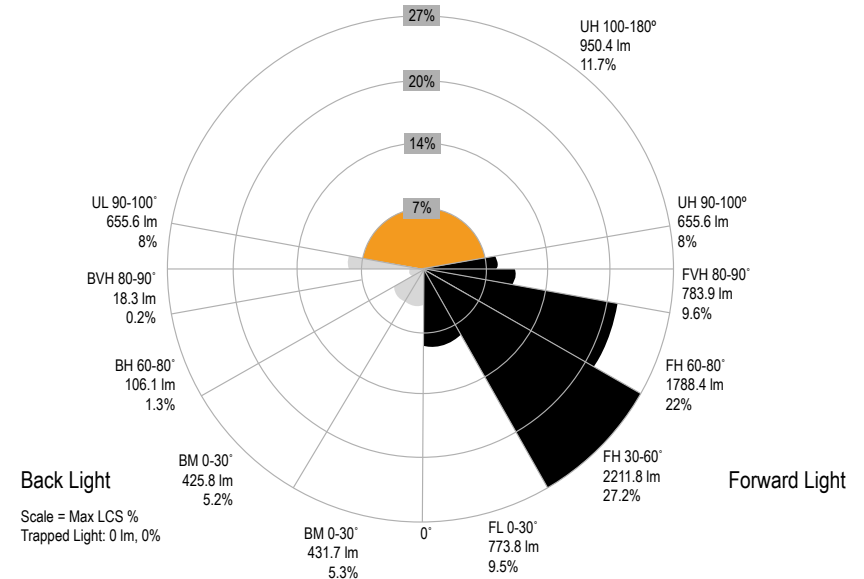
### Photometric Data

#### 70W 5000K Model

Polar Candela Distribution



#### LCS Graph



### Performance Data

CRI:	83
CCT:	5000K
Warranty:	10 yr. Limited Warranty w/Labor Allowance
Dimming:	0-10V Dimming Standard, 100% down to 10%
Operating Temperature:	-40°C to +50°C Ambient
L70 Rating:	135,000 Hours
IP Rating:	IP55
Sound Rating:	Class A (inaudible in a 24dB ambient environment)
Power Factor:	> 0.90
Total Harmonic Distortion:	< 20%

#### Zonal Lumen Summary

Zone	Lumens	%Luminaire
0-30	1,205.4	14.8%
0-40	1,982.3	24.3%
0-60	3,843.5	47.2%
60-90	2,695.3	33.1%
70-100	2,387.1	29.3%
90-120	1,397.7	17.2%
0-90	6,538.8	80.3%
90-180	1,605.3	19.7%
0-180	8,144.1	100%

### Lumen Output

5000K Lumen Chart			
Nominal Wattage	System Wattage	5000K	Efficacy (lm/W)
30	31	3820	123
50	47	5780	123
70	66	8150	123

### DLC Listing

	70W
5000K	X