

Surface Mount Installation Instructions



WARNING
ELECTRICAL SHOCK HAZARD

READ and UNDERSTAND these instructions before installing luminaire.

Disconnect the Electrical supply power at the services panel (fuse or circuit breaker box). Failure to do so could result in serious injury.

Only qualified electricians should install this luminaire and the installation MUST conform to the Canadian Electrical Code Part I and any local codes and ordinances. Make sure you have the proper tools and materials to complete the installation before attempting to install the luminaire.

WARNING

THIS PRODUCT CONTAINS CHEMICALS KNOWN TO THE STATE OF CALIFORNIA TO CAUSE CANCER, BIRTH DEFECTS, AND / OR OTHER REPRODUCTIVE HARM. THOROUGHLY WASH HANDS AFTER INSTALLING, HANDLING, CLEANING OR OTHERWISE TOUCHING THIS PRODUCT.

SAFETY PRECAUTION

Before starting the installation and servicing, disconnect the power by turning off the circuit breaker.

Turning the power off by using the light switch is not sufficient to prevent electrical shock. All work should be done by a qualified electrician. This product must be installed in accordance with the applicable installation code by a person familiar with the construction and operation of the product and the hazards involved.

INSTALLATION

Direct mounting to recessed box (wall mounting)

1. Remove the front housing by unscrewing two Phillips head screws from the front lens of the fixture.
2. Unplug wires from LED module (A) to the driver area (B)
3. Remove the LED module by loosening two screws "C" Be careful not to touch the leds. Place module A face up on clean dry surface- DO NOT DROP!!
4. Fastening the cast rear housing to recessed outlet box while leveling the product.
5. Splice power leads (black, white and green) from back of fixture to the power supply leads and push splices into outlet box. Alternate connection using the knockout on bottom casting.
- 4a-Knock out opening in bottom casting for conduit mount.
- 4b-Fasten the rear casting to the wall using appropriate Fasteners for the wall surface.
- 4c-Connect wires from conduit to wires from the fixture, Position the connected wires in the round conduit box. Area of the rear casting, carefully route wires so they are not pinched when completing the following steps.
6. Reverse steps 2 and 3.
7. Remove protective cover from LED Module A.
8. Reinstall the front housing..
9. For wet locations, caulk between rear gasket and mounting surface to prevent water from entering the fixture from behind.
10. In order to turn on/off the photocell function a cap is supplied. Follow instructions Fig .1.

WIRING

Note: LED units are multi-volt 120V-277V. No additional tap wires are provided.

TROUBLE SHOOTING CHECKLIST : If the light does not work.

- Check your power source
- Check electrical connections

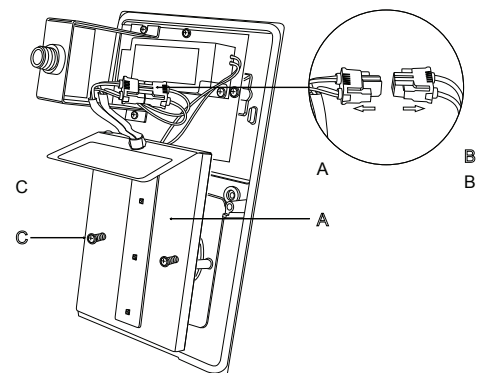


FIG. 1
PHOTOCELL FUNCTION ON/OFF :

