



D407-LED

15" Decorative Round Luminaire

Client: _____ Order #: _____
Project Name: _____ Type: _____ Qty: _____

Performance Data

CRI
85

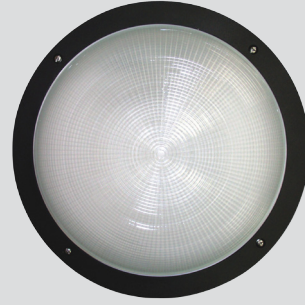
CCT
5000K

Projected Lifetime
100,000+ Hours (L70)

Dimming
0-10V dimming standard,
100% down to 10%

Operating Temperature
-40°C to +40°C Ambient

CSA Listed
Suitable for dry, damp,
wet locations



CSA Listed	10 Yr Warranty Including Labor	USA Buy American Act Compliant
----------------------	---	---

Description

The 15" round decorative luminaire is designed for durability and performance to withstand today's toughest environments, including schools, parking garages, office complexes and any other application prone to vandalism.

Features

- Mounts directly over a 4" recessed outlet box, or use a 1/2" surface conduit.
- Guards are available in three styles: Open, Cross and Eyelid.
- An extruded lens and foam backplate gasket are factory installed to cushion against shock. This also provides a seal against moisture, dirt and insects from entering the luminaire.
- Housing finish is textured polyester powder coating.
- Guards and housing are available in four finishes: White, Bronze, Black.
- The deep casting is provided with 1/2" threaded conduit coin plugs.
- UV stabilized heat and shock resistant borosilicate glass.
- Available in clear or frosted white, both with radial prisms to provide superior illumination.



Ordering Information

A FIXTURE SERIES	D407-LED	15" Decorative Round Luminaire
B WATTAGE/LUMENS	25	25W/3005 ³
C CCT	50	5000K
D VOLTAGE	UNV	120-277V
	347	347V
	480	480V (Step-Down Transformer used for 480V Divider)

E GUARD	O	Open
	C	Cross
	E	Eyelid

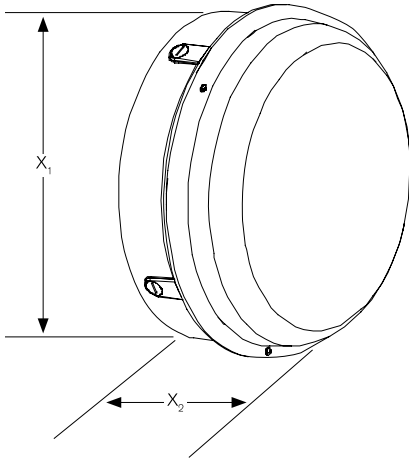
F LENS	F	Frosted Prismatic
	C	Clear Prismatic

G FINISH	BZ	Bronze ¹
	BL	Black
	WH	White
	CU	Custom ²

H OPTIONS	PC1	Photocell (120-130 VAC)
	PC2	Photocell (208-277 VAC)
	SP	Surge Protection

¹ Standard for fixture
² Contact factory for custom finish
³ Delivered Lumens (with Open Guard)

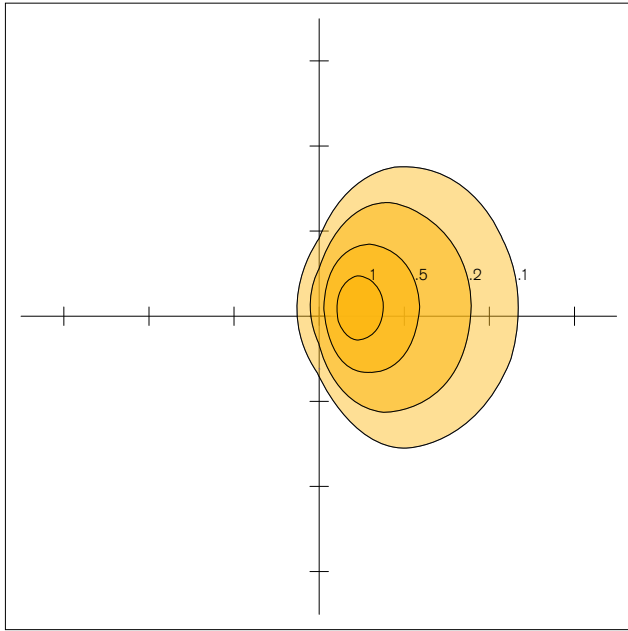
Dimensions



	Inches		
	Open	Eyelid	Cross
X₁	15.00	15.00	15.00
X₂	8.75	9.50	9.25

Photometrics (Open Guard)

Model 25W 5000K



Lumen Output (5000K)

Lumen Chart

Wattage	Open	Cross	Eyelid
25	3005	2923	2537

Guard Options

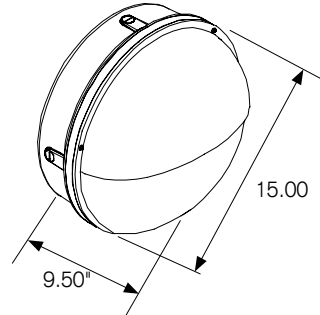
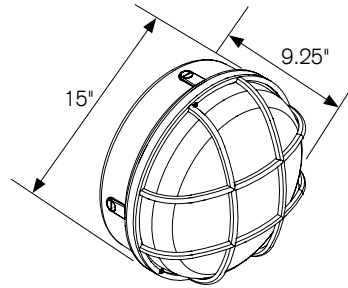


Cross



Eyelid

Other Dimensions



LED Battery Backup

- Provides 90 mins of backup power.
- 100-277/50-60Hz Input Voltage
- Operation Temp Range: 0°-50°C
- Green LED Indicator for Stand-by Mode
- Optional Test Switch
- Short-Circuit, Overload, and No Load Protection
- Low Battery Shutdown to Protect Battery From Deep-Discharging
- RoHS Compliant

