



# D414-LED

## Square LED Wall Pack

Client: \_\_\_\_\_ Order #: \_\_\_\_\_  
Project Name: \_\_\_\_\_ Type: \_\_\_\_\_ Qty: \_\_\_\_\_

### Performance Data

CRI  
80+

CCT  
3000K, 3500K, 4000K, 5000K

Projected Lifetime  
100,000+ Hours (L70)

Dimming  
0-10V dimming standard,  
100% down to 10%

Operating Temperature  
-40°C to +40°C Ambient



<b>10 Yr</b>	<b>USA</b>
Warranty Including Labor	Buy American Act Compliant

### Description

The D414-LED square wall pack is ideal for general illumination in vandal prone areas where safety and security are a concern, including parking garages, motels, schools and apartment complexes. The D414-LED luminaire is available with a variety of lumen packages, color temperatures, and paint finishes to choose from, making it a versatile go-to choice for a wide range of exterior lighting applications seeking to reduce energy consumption.

### Features

- Housing: die-cast aluminum housing and front frame with Hood
- Lens: clear polycarbonate prismatic lens
- Paint Finish: textured architectural powdercoat over a 10-step chromate conversion coating process for maximum environmental durability
- Reflector is specular anodized aluminum & provides precise cutoff.
- Mounts directly Over a 4" Recessed Outlet Box or 1/2" Surface Conduit.
- 1/2" Coin Plugs with O-rings for Conduit and Photocell
- Approx. Weight: 15 lbs.
- Type IV short IES distribution

# D414-LED



### Ordering Information

#### A FIXTURE SERIES

D414-LED Intermediate Polycarbonate Wall Light

#### B WATTAGE/LUMENS

20	20W/2030 <sup>3</sup>
30	30W/3050 <sup>3</sup>
40	40W/4060 <sup>3</sup>

#### C CCT

30	3000K
35	3500K
40	4000K
50	5000K <sup>1</sup>

#### D VOLTAGE

UNV	120-277V
347	347V
480	480V (Step-Down Transformer used for 480V Divider)

#### E FINISH

BZ	Bronze <sup>1</sup>
BL	Black
WH	White
CU	Custom <sup>2</sup>

#### F OPTIONS

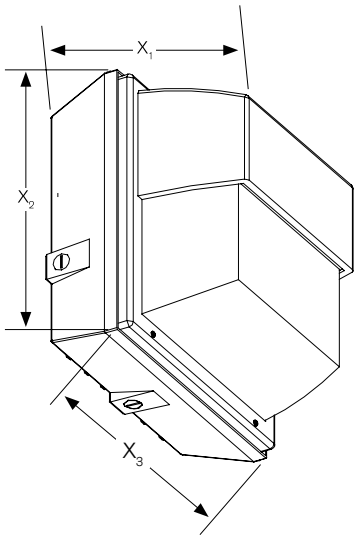
PC	Photocell
WSF	Wired Single Fuse
WDF	Wired Double Fuse
EM	Emergency LED secondary source batter pack (-4° F min. operating temp)

<sup>1</sup> Standard for fixture

<sup>2</sup> Contact factory for custom finish

<sup>3</sup> Delivered Lumens (5000K)

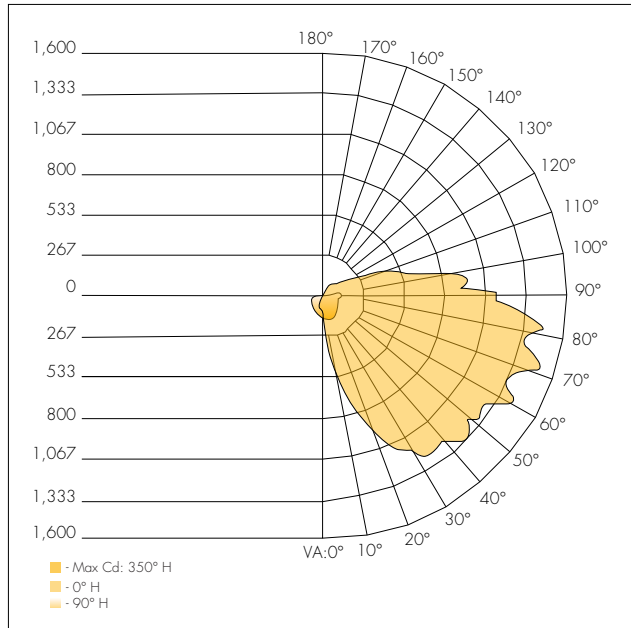
Dimensions



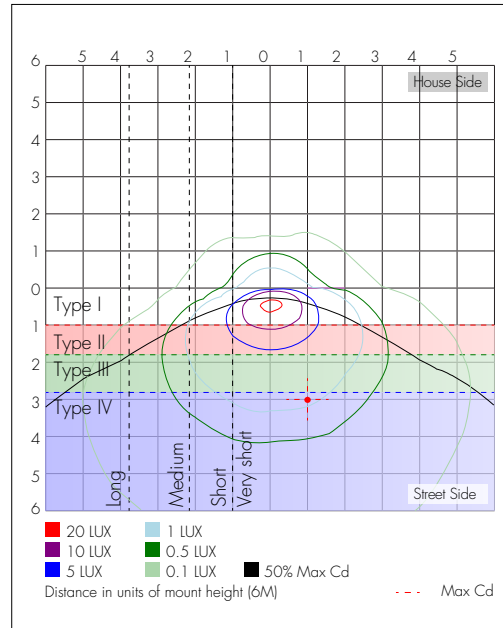
	Inches
X <sub>1</sub>	9.00
X <sub>2</sub>	12.375
X <sub>3</sub>	12.375

Photometrics

Model 40W 5000K



Isofootcandle



Zonal Lumen Summary

Zone	Lumens	%Luminaire
0-30	275.1	6.8%
0-40	568.7	14%
0-60	1,412.1	34.8%
60-90	1,555.2	38.3%
70-100	1,443.2	35.6%
90-120	860.5	21.2%
0-90	2,967.3	73.2%
90-180	1,088.6	26.8%
0-180	4,055.8	100%

Lumen Output

Lumen Chart

Wattage	5000K	4000K	3500K	3000K
25	2030	1989	1929	1888
30	3045	2984	2893	2832
40	4060	3979	3857	3700