



Client: \_\_\_\_\_ Order #: \_\_\_\_\_  
 Project Name: \_\_\_\_\_ Type: \_\_\_\_\_ Qty: \_\_\_\_\_

# D420-LED

## Large Trapezoidal Cutoff Wall

### Performance Data

CRI

80+

CCT

3000K, 3500K, 4000K, 5000K

Projected Lifetime

100,000+ Hours (L70)

Dimming

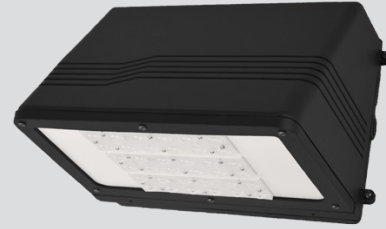
0-10V dimming standard  
 100% down to 10%

Operating Temperature

-40°C to +55°C Ambient

UL Listed

Suitable for dry, damp, wet locations



<b>DSKY</b> Dark Sky Compliant	<b>10 Yr</b> Warranty Including Labor	<b>USA</b> Buy American Act Compliant
-----------------------------------	--	--

### Description

The D420-LED large full cutoff wall pack offers a sleek design and cutoff performance with a wide range of uses. It delivers the lighting needed for the exteriors of retail buildings, businesses, walkways, underpasses or entrance doors. Dark Sky compliant when ordered at 3000K.

### Features

- Heavy duty two piece, die cast aluminum housing.
- Dark Sky compliant when ordered at 3000K (no uplight)
- Silicone gasketing provides protection against moisture.
- Mounts directly to 3.5" octagon, or 4" square outlet box.
- .5" NPS tapped holes provided in three locations for surface conduit entry for optional photo control.
- Dark bronze powder coated finish for impact, corrosion and UV resistance.
- Integral cast-in aluminum hinges.
- Clear tempered glass lens is thermal and shock resistant.
- UL listed for wet locations.
- Can be used as an uplight for wall washing applications.

# D420-LED



### Ordering Information

#### A FIXTURE SERIES

D420-LED	Large Trapezoidal Cutoff Wall Pack
----------	------------------------------------

#### B WATTAGE/LUMENS

120	120W/15000 <sup>3</sup>
150	150W/18750 <sup>3</sup>
180	180W/22500 <sup>3</sup>

#### C CCT

30	3000K
35	3500K
40	4000K
50	5000K <sup>1</sup>

#### D VOLTAGE

U	120-277V
K	347-480V

#### E OPTICS

2	Type 2
3	Type 3
4	Type 4

#### F FINISH

Z	Bronze <sup>1</sup>
B	Black
W	White
C	Custom <sup>2</sup>

#### G OPTIONS

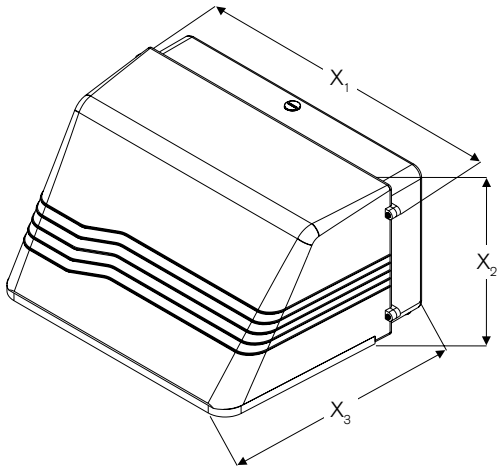
T	Photocell
E	Emergency
M	Motion Sensor

<sup>1</sup> Standard for fixture

<sup>2</sup> Contact factory for custom finish

<sup>3</sup> Delivered Lumens (5000K Type 3 Optics)

**Dimensions**



	Inches
<b>X<sub>1</sub></b>	18.25
<b>X<sub>2</sub></b>	9.125
<b>X<sub>3</sub></b>	13.75