



# D440-LED

## Architectural Cylinder Wall Pack

Client: \_\_\_\_\_ Order #: \_\_\_\_\_  
Project Name: \_\_\_\_\_ Type: \_\_\_\_\_ Qty: \_\_\_\_\_

### Performance Data

CRI

80+

CCT

3000K, 3500K, 4000K, 5000K

### Projected Lifetime

180,000 Hours (L70);  
114,000 Hours (L80)

### Dimming

0-10V dimming standard,  
100% down to 10%

### Operating Temperature

-40°C to +55°C Ambient

### UL Listed

Suitable for dry, damp, wet  
locations



IP65

Listed

DLC

Listed

UL

Listed

10 Yr

Warranty  
Including Labor

USA

Buy American  
Act Compliant

### Description

The D440-LED wall pack will compliment your site, with it's smooth lines and clean design. Rugged construction and full cutoff optics allow this fixture to be used in parking areas, entrances, walkways, underpasses, loading docks, recreation areas, tunnels.

### Features

- UL 1598 listed for wet locations.
- Heavy duty two-piece die-cast aluminum powder coated construction.
- Heat and impact resistant tempered glass lens.
- Dark bronze housing color.
- Silicone rubber included to prevent any leakage from the outside.
- One piece anodized aluminum designed reflector for the best light efficiency.
- Fully gasketed lens assembly seals out external contaminants.
- Approx. Weight: 14 lbs
- Standard color is bronze; also available in black and white. Contact factory for custom finishes.

# D440-LED

A

B

C

D

E

F

G

H

### Ordering Information

#### A FIXTURE SERIES

D440-LED Architectural Cylinder  
Wall Pack

#### B WATTAGE/LUMENS

20 20W/2500<sup>3,5</sup>  
(10W down/10W up)<sup>6</sup>

40 40W/4800<sup>3,5</sup>  
(20W down/20W up)<sup>6</sup>

60 60W/7600<sup>3,5</sup>  
(30W down/30W up)<sup>6</sup>

80 80W/9700<sup>3,5</sup>  
(40W down/40W up)<sup>6</sup>

#### C CCT

30 3000K

35 3500K

40 4000K

50 5000K<sup>4,5</sup>

#### D VOLTAGE

UNV 120-277V

480 347-480V

#### E DISTRIBUTION

D Direct<sup>8</sup>

I Direct/Indirect<sup>6</sup>

#### F OPTICS

2 Type 2

3 Type 3

4 Type 4

#### G FINISH

Z Bronze<sup>1</sup>

B Black

W White

C Custom<sup>2</sup>

#### H OPTIONS

T Photocell

E Emergency Backup

2 2 Electronic Drivers<sup>7</sup>

<sup>1</sup> Standard for fixture

<sup>2</sup> Contact factory for custom finish

<sup>3</sup> Delivered Lumens (Total Output, 5000K, Type III Distribution)

<sup>4</sup> Standard Color Temp.

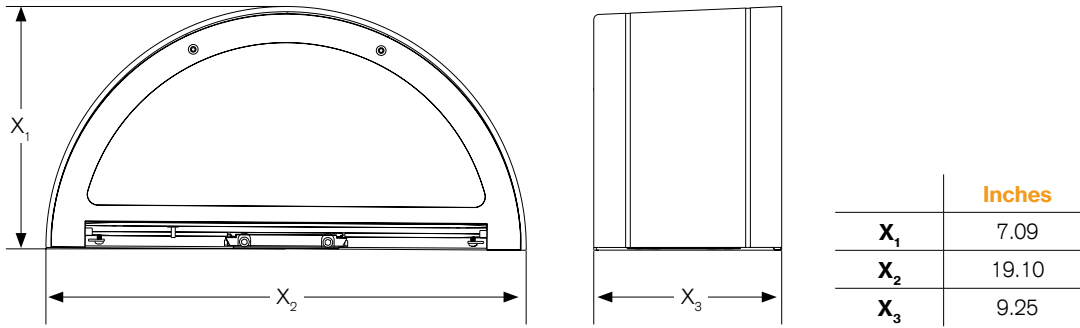
<sup>5</sup> DLC Listed (5000K only)

<sup>6</sup> Up/Down wattage split only applies if Direct/Indirect distribution is selected

<sup>7</sup> Not Available in 20W model

<sup>8</sup> Contact factory for Uplight only distribution option

**Dimensions**



**Projected LED Maintenance**

Operating Hours	0	25,000	50,000	75,000	100,000
Lumen Maintenance Factor	25°C (77°F) Ambient Outdoor Temp				
	1	0.95	0.90	0.86	0.82
	55°C (131°F) Ambient Outdoor Temp				
	1	0.93	0.86	0.80	0.75

**Emergency Battery Operation**

The emergency battery backup (EM option) is integral to the luminaire - no external housing required! This design provides reliable emergency operation while maintaining the aesthetics of the product.

The emergency battery will power the luminaire for a minimum duration of 90 minutes (maximum duration of three hours) from the time supply power is lost, per International Building Code Section 1006 and NFPA 101 Life Safety Code Section 7.9, provided luminaires are mounted at an appropriate height and illuminate an open space with no major obstructions.

The examples below show illuminance of 1 fc average and 0.1 fc minimum of the single-engine Type IV product in emergency mode.

