



DECO | LIGHTING

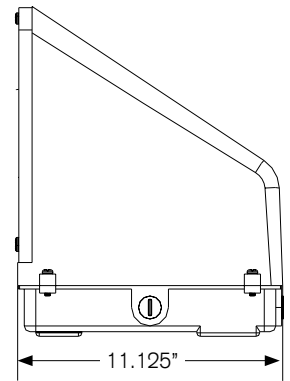
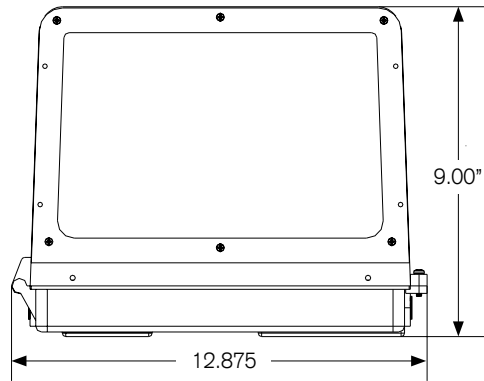
D444-LED

Medium Trapezoidal Wall Pack



Job Information

Type:	
Catalog #:	
Project:	
Comments:	
Prepared by:	



Description

The D444-LED medium trapezoidal cutoff wall pack offers a sleek design and cutoff performance with a wide range of uses. It delivers the lighting needed for the exteriors of retail buildings, businesses, walkways, underpasses or door entrances. The D444 Quickship model delivers a full cutoff wall lighting solution for fast track projects in need of product on site immediately.

Ordering Information

Example: (D444-LED-40-50-U-BZ-Q)

D444-LED

Series	Wattage/Lumen	Color Temp.	Voltage	Finish	Lens Type
Medium Trapezoidal Cutoff Wall Pack	40 40W/4000 ¹	40 4000K 50 5000K ²	U 120-277V	BZ Bronze	Q Clear Flat Glass

¹Delivered Lumens (5000K) - For 4000K multiply by 0.95
²DLC Listed, see Page 2 for table of models currently listed

Deco Lighting practices a program of continuous product development, and as a result product specifications change frequently. We reserve the right to change product specifications without notice. Contact Deco for the latest product information.

©2018 Deco Lighting, www.getdeco.com T: (800) 613-DECO F: (310) 366-6855
 Rev Date: 03/23/18 #1

Features

- Heavy-duty, two-piece die-cast aluminium housing.
- Silicone gasketing provides protection against moisture.
- Mounts directly to 3.5" octagon, or 4" square outlet box.
- 1/2" NPS tapped holes provided in three locations for surface conduit entry for optional photocell control.
- Dark bronze powder coated finish for impact, corrosion and UV resistance.
- Integral cast-in aluminum hinges.
- Can be used as an uplight for wall washing applications.
- Driver is 0-10V Dimming Standard
- Precision-designed polycarbonate optical lenses control and deliver light only where it is needed, Type III distribution with clear glass lens
- Includes Select-A-Watt adjustable LED driver (20W-30W-40W), factory set at 40W and field adjustable during installation

Performance Data

CRI:	70+
CCT:	4000K, 5000K
Warranty:	10 yr. Limited Warranty
Dimming:	0-10V Dimming Standard, 100% down to 10%
Operating Temperature:	-30°C to 50°C Max Ambient
L70 Lifetime Rating:	213,000 Hours (25°C); 113,000 Hours (55°C)
IP Rating:	IP55
Sound Rating:	Class A (inaudible in a 24dB ambient environment)
Power Factor:	> 0.90
Total Harmonic Distortion:	< 20%

Lumen Chart

Nominal Wattage	5000K Lumens	Efficacy (lm/W)
20W	2000	100
30W	3000	100
40W	4000	100

*For 4000K lumen outputs, multiple values by a factor of 0.95

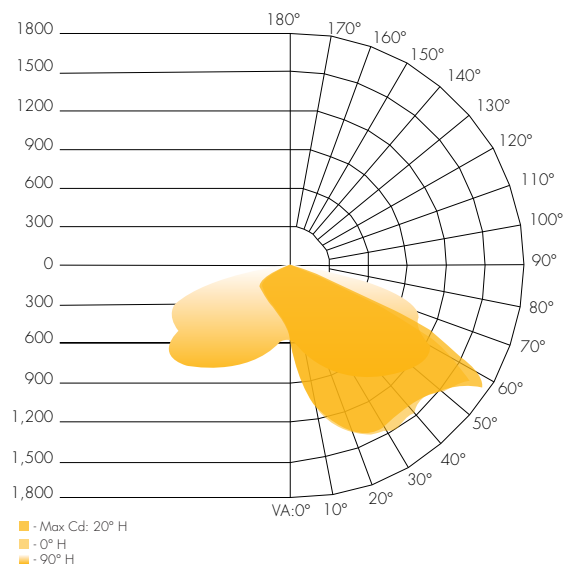
DLC Listing

	40W
4000K	
5000K	X

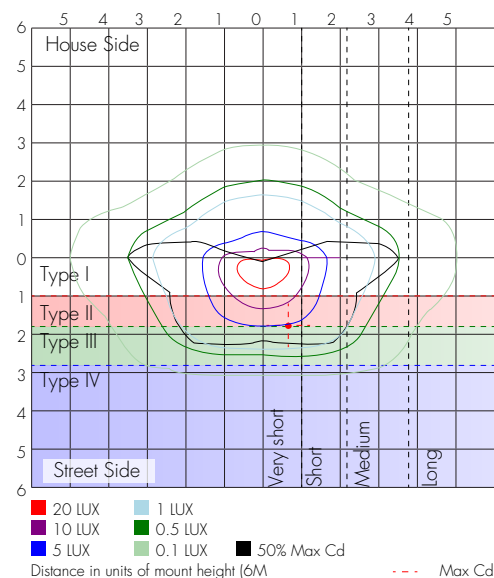
Photometric Data

40W 5000K

Polar Candela Distribution



Isolux Plot



Zonal Lumen Summary

Zone	Lumens	%Luminaire
0-30	692.3	17.5%
0-40	1,266.9	32%
0-60	2,874.0	72.6%
60-90	1,062.4	26.8%
70-100	316.3	8%
90-120	8.5	0.2%
0-90	3,936.4	99.4%
90-180	23.2	0.6%
0-180	3,959.5	100%