

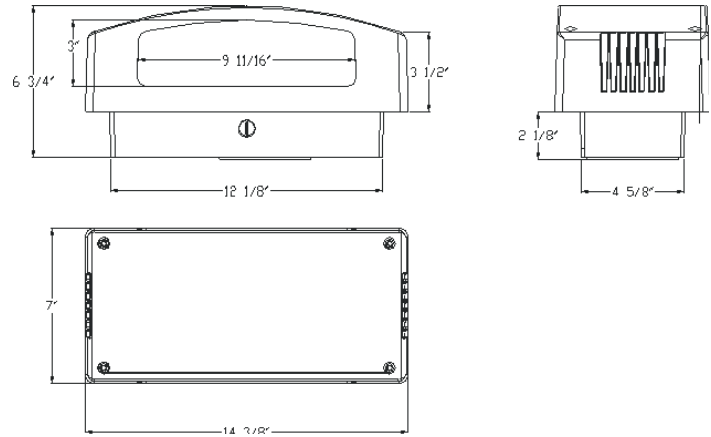
D458-LED

Slim Wall Sconce



Job Information

Type:	
Catalog #:	
Project:	
Comments:	
Prepared by:	



Description

The D458-LED Slim Wall Sconce is a wall mounted luminaire with fully shielded light source for up/down dual lighting for indoor or outdoor applications. This fixture is constructed from low copper aluminum cast, and is great for areas where space is an issue.

Features

- Up/down dual lighting for indoor or outdoor applications
- Housing constructed from low copper aluminum cast
- CSA listed, suitable for wet locations
- Tempered glass diffuser
- High corrosion resistant polyester powder coat finish
- Vandal resistant stainless steel screws
- Silicon gasket prevents contaminants from entering the fixture
- Standard color is bronze; also available in black and white. Contact factory for custom finishes
- 10-Year Limited Warranty

Ordering Information

Example: (D458-LED-60-40-UNV-SL-PC)

D458-LED								
Series	Wattage/Lumen		Color Temp.		Voltage		Finish	Option
Slim Wall Sconce	20	20W (10 up/10 down)/1900 ⁴	30	3000K	UNV	120-277V	BZ	PC
	40	40W (20 up/20 down)/3880 ⁴	35	3500K	347	347V	BL	WSF
	60	60W (30 up/30 down)/5880 ⁴	40	4000K	480	480V (Step-Down Transformer used for 480V Divider)	WH	WDF
			50	5000K ⁵			AL	EM
						SL	Integrated Emergency LED secondary source battery pack (-4°F min. operating temp)	
						CU	Custom ²	

¹ Standard fixture color
² Contact factory for custom finishes
³ Please specify voltage (eg. 120V)
⁴ Delivered Lumens (5000K)
⁵ Standard color temp

Deco Lighting practices a program of continuous product development, and as a result product specifications change frequently. We reserve the right to change product specifications without notice. Contact Deco for the latest product information.

©2017 Deco Lighting, www.getdeco.com T: (800) 613-DECO F: (310) 366-6855
 Rev Date: 12/20/17 #3

Performance Data

CRI:	80+
CCT:	3000K, 3500K, 4000K, 5000K
Warranty:	10 yr. Limited Warranty
Dimming:	0-10V dimming standard, 100% down to 10%
Operating Temperature:	-30°C to +55°C Max Ambient
L70 Rating:	100,000+ Hours
Power Factor:	> 0.90
Total Harmonic Distortion (THD):	< 20%