



DECO® | LIGHTING

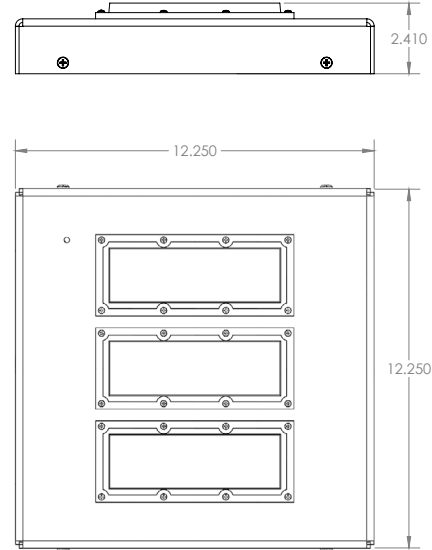
# D533-LED-PRO

## LED Canopy Light



### Job Information

Type:	
Catalog #:	
Project:	
Comments:	
Prepared by:	



### Description

The low profile D533-LED canopy light is perfect for security, entry ways, and perimeter lighting. Universal flush mount or pendant mount. Perfect as a low power utility or apartment garage light.

### Ordering Information

Example: (D533-LED-60-30-UNV-PRO-SL-MS)

D533-LED

Series	Wattage/Lumen	Color Temp.	Voltage	Optics	Finish	Options
LED Canopy Light	40 40W/4210 <sup>3</sup>	30 3000K	UNV 120-277V	PRO T5 Optics	WH White <sup>1</sup> SL Silver	MS Motion Sensor with Dimming EM Emergency Stem Sxxx (xxx-inches, ceiling to top of fixture)
	60 60W/6090 <sup>3</sup>	40 4000K	347 347V			
	80 80W/8120	50 5000K <sup>1</sup>	480 480V (Step-Down Transformer used for 480V Divider)			

<sup>1</sup> Standard for this fixture

<sup>2</sup> Delivered Lumens (5000K)

<sup>3</sup> DLC Listed wattage (see table on Page 2 for info on models currently listed)

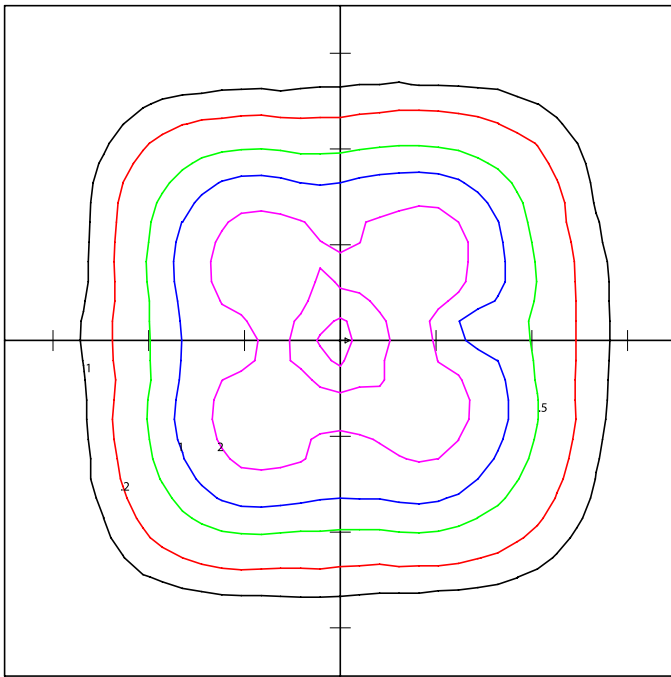
Deco Lighting practices a program of continuous product development, and as a result product specifications change frequently. We reserve the right to change product specifications without notice. Contact Deco for the latest product information.

©2016 Deco Lighting, www.getdeco.com T: (800) 613-DECO F: (310) 366-6855  
Rev Date: 7/26/16 #2

## Features

- UV stabilized, one-piece polycarbonate lens
- Universal voltage
- Powder coated aluminum housing
- Robust design for superb durability
- CRI: 80+
- DLC-listed for utility rebates (see table below for more info)

## Photometric Data



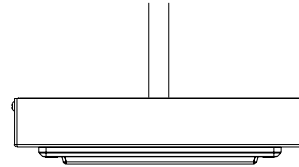
DECO LIGHTING  
D533-LED-60-5K-RNN-120-PRO

Mounting Height = 20.00 Ft

## Motion Sensor



## Pendant Mount



## Performance Data

CRI:	80+
CCT:	3000K, 4000K, 5000K
Warranty:	10 yr. Limited Warranty
Dimming:	Available with 0-10V inputs dimming down to 10%
Operating Temperature:	-30° to +60°C Max Ambient
L70 Rating:	100,000+ Hours
IP Rating:	IP65
Power Factor:	>0.90
Total Harmonic Distortion (THD):	<20%

## DLC Listing

	40W	60W
4000K	X	X
5000K	X	X