



# D533-LED

## LED Canopy Light

Client: \_\_\_\_\_  
Project Name: \_\_\_\_\_

Order #: \_\_\_\_\_  
Type: \_\_\_\_\_ Qty: \_\_\_\_\_

### Performance Data

CRI  
80+

CCT  
4000K, 5000K

Projected Lifetime  
190,000 Hours (L70)

Dimming  
0-10V dimming standard  
100% down to 10%

Operating Temperature  
-40°C to +50°C Ambient

ETL Listed  
Suitable for dry, damp, wet locations



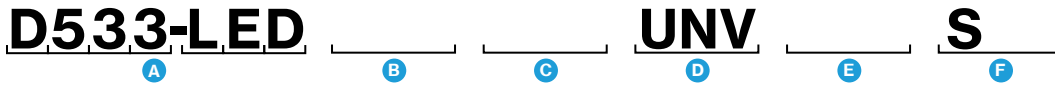
<b>DLC</b> Listed	<b>ETL</b> Listed	<b>10 Yr</b> Warranty Including Labor	<b>USA</b> Buy American Act Compliant
----------------------	----------------------	---	---

### Description

The low profile D533-LED canopy light is perfect for security, entry ways, and perimeter lighting. Universal flush mount or pendant mount. Perfect as a low power utility or apartment garage light.

### Features

- IP65 rated when used in under canopy application
- UV stabilized, one-piece polycarbonate lens
- Powder coated aluminum housing
- Robust design for superb durability
- Flush J-box mounting standard, available with Stem (shipped separately)



### Ordering Information

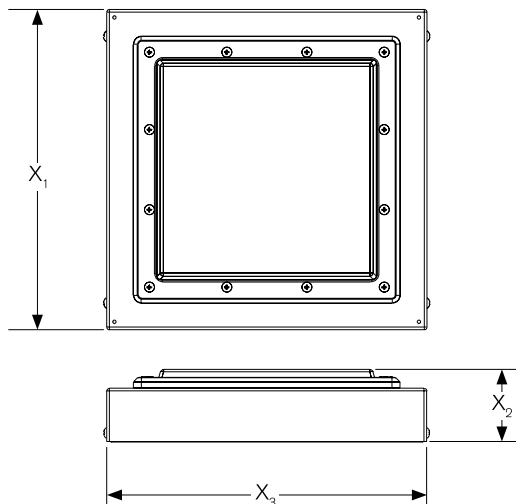
<b>A</b> FIXTURE SERIES	D533-LED	LED Canopy Light
<b>B</b> WATTAGE/LUMENS	36	36W/4282 <sup>2,3</sup>
	50	50W/5590 <sup>2,3</sup>
<b>C</b> CCT	40	4000K
	50	5000K <sup>1</sup>
<b>D</b> VOLTAGE	UNV	122-277V

<b>E</b> FINISH	WH	White <sup>1</sup>
	SL	Sliver
<b>F</b> OPTION	Sxx	Stem (Shipped Separately) (xx- inches, ceiling to top of fixture)

<sup>1</sup> Standard for this fixture  
<sup>2</sup> Delivered Lumens (5000K)

<sup>3</sup> DLC-listed wattage (See DLC table for more info on models currently listed)

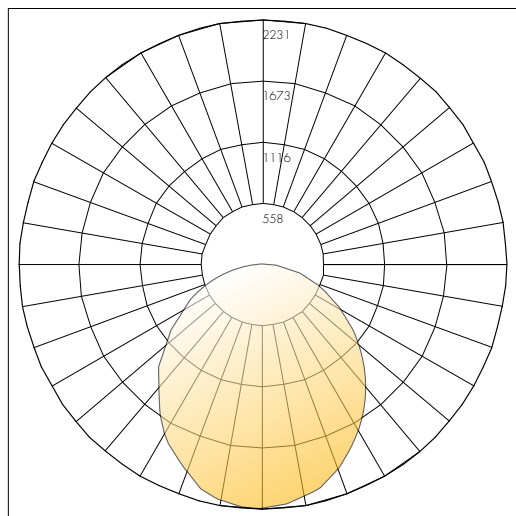
**Dimensions**



	Inches
X <sub>1</sub>	12.00
X <sub>2</sub>	2.71
X <sub>3</sub>	12.00

**Photometrics**

Model 50W 5000K



Delivered Lumens: 5590  
CRI: 80+

Zonal Lumen Summary

Zone	Lumens
0-10	209.43
10-20	590.68
20-30	866.18
30-40	996.37
40-50	963.64
50-60	806.13
60-70	595.87
70-80	383.89
80-90	177.58
90-100	0.00
110-110	0.00
110-120	0.00
120-130	0.00
130-140	0.00
140-150	0.00
150-160	0.00
160-170	0.00
170-180	0.00

**DLC Listed**

Wattage	4000K	5000K
36W	X	X
50W	X	X

\*Lumen outputs are based on 5000K performance data and then scaled down to the other temperatures.