



Client: _____ Order #: _____
Project Name: _____ Type: _____ Qty: _____

D533R-LED

Recessed LED Canopy Light

Performance Data

CRI

80+

CCT

4000K, 5000K

Projected Lifetime

190,000 Hours (L70)

Dimming

0-10V dimming standard,
100% down to 10%

Operating Temperature

-40°C to +50°C Ambient

ETL Listed

Suitable for dry, damp, wet
locations



DLC

Listed

ETL

Listed

10 Yr

Warranty
Including Labor

USA

Buy American
Act Compliant

Description

The low-profile design of the D533R-LED is ideally suited for security, covered entry ways, and soffit installation applications. The durable and robust design allows for universal recessed mount compatibilities. Delivering up to 6500 lumens while consuming between 36 and 50 watts, it's the ideal low-power utility light.

Features

- IP65 rated when used in under canopy application
- UV stabilized, one-piece polycarbonate lens
- Universal voltage
- Powder coated aluminum housing
- Robust design for superb durability
- Suitable for Wet Locations Covered Canopy
- L70 Rating - 190,000 hrs

D533R-LED

A

B

C

UNV

D

E

Ordering Information

A FIXTURE SERIES

D533R-LED	Recessed LED Canopy Light
-----------	------------------------------

B WATTAGE/LUMENS

36	36W/4837 ^{2,3}
50	50W/6470 ^{2,3}

C CCT

40	4000K
50	5000K ¹

D VOLTAGE

UNV	122-277V
-----	----------

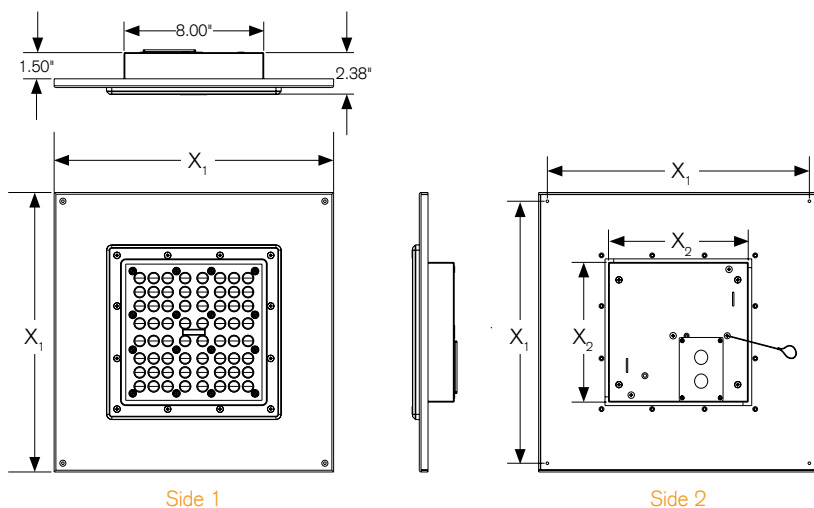
E FINISH

WH	White ¹
SL	Sliver

¹ Standard for this fixture
² Delivered Lumens (5000K)

³ DLC-listed wattage (See table on Page 2
for more info on models currently listed)

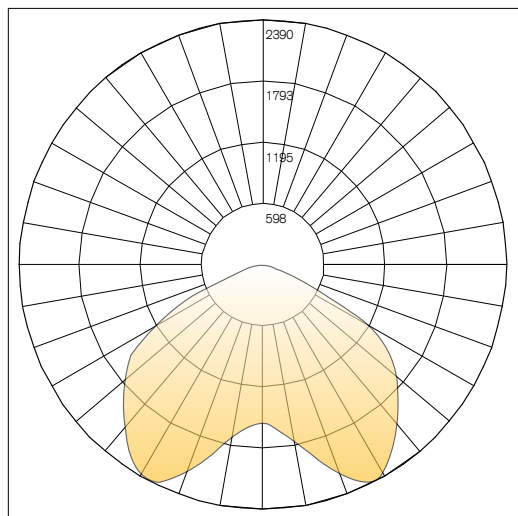
Dimensions



	Inches	
	Side 1	Side 2
X₁	16.00	15.00
X₂	--	8.00

Photometrics

Model 50W 5000K



Delivered Lumens: 6470v
CRI: 80+

Zonal Lumen Summary

Zone	Lumens
0-10	157.78
10-20	558.61
20-30	1064.15
30-40	1356.49
40-50	1383.35
50-60	1247.74
60-70	577.85
70-80	98.50
80-90	27.65
90-100	0.00
110-110	0.00
110-120	0.00
120-130	0.00
130-140	0.00
140-150	0.00
150-160	0.00
160-170	0.00
170-180	0.00

DLC Listed

Wattage	4000K	5000K
36W	X	X
50W	X	X

*Lumen outputs are based on 5000K performance data and then scaled down to the other temperatures.