

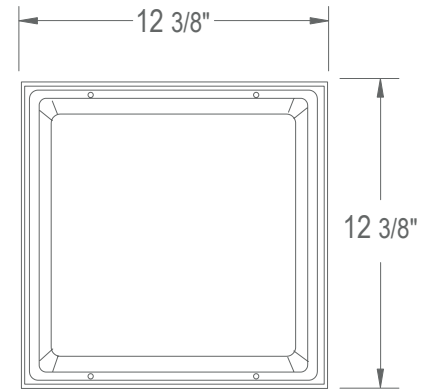
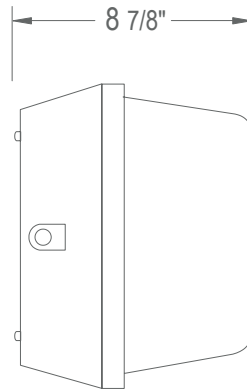
D536-LED

12" x 12" Square Luminaire



Job Information

Type:	
Catalog #:	
Project:	
Comments:	
Prepared by:	



Description

The D536-LED provides symmetrical light distribution as an unbreakable replacement answer to commercial fixtures which might succumb to vandalism and abuse. Available as a build-to-order or quickship fixture for fast-track projects (see Page 2 for ordering code).

Ordering Information

Example: (D536-LED-50-50-U-BZ-E)



Series	Wattage/Lumen	Color Temp.	Voltage	Finish	Lens Type	Option		
12" x 12" Square Luminaire	25	25W/2950 ³	U 120-277V K 347-480V	BZ Bronze ¹ BL Black WH White CU Custom ²	Q Prismatic Polycarbonate	E Emergency T Photocell TP Tamper Proof HB Hinged Bracket M Motion Sensor		
	40	40W/4720 ³					40	4000K
	50	50W/6200 ^{3,5}					50	5000K ⁴

¹ Standard for fixture
² Contact factory for custom finish
³ Delivered Lumens (5000K) - See lumen chart on Page 2 for more info
⁴ Standard Color Temp.
⁵ DLC Listed Wattage, see Page 2 for DLC table on models currently listed

Deco Lighting practices a program of continuous product development, and as a result product specifications change frequently. We reserve the right to change product specifications without notice. Contact Deco for the latest product information.

©2017 Deco Lighting, www.getdeco.com T: (800) 613-DECO F: (310) 366-6855
 Rev Date: 12/29/17 #2

Features

- Heavy duty die-cast finished in dark bronze.
- One piece silicone gasket seals perimeter to prevent moisture and contaminants from entering the luminaire.
- Lens is clear prismatic polycarbonate and UV stabilized.
- CSA listed, suitable for wet locations
- Four 1/2 coin plugs in each quadrant for easy conduit access.
- Vertical lamp position for true Type V distribution.
- CRI: 84+
- Delivers up to 120 lumens per watt
- DLC listed for utility rebates (see table below for models listed)

Performance Data

CRI:	84+
Power Factor:	> 0.90
Total Harmonic Distortion (THD):	< 20%
CCT:	4000K, 5000K
Warranty:	10 yr. Limited Warranty
Dimming:	Available with 0-10V inputs dimming down to 10%
Operating Temperature:	-40°C to +50°C Max Ambient
L70 Rating:	177,000 Hours
IP Rating:	IP65
Sound Rating:	Class A (inaudible in a 24dB ambient environment)

Lumen Chart

Wattage	5000K Lumens	Efficacy (lm/W)
25	2950	118
40	4720	118
50	6200	120

*For 4000K lumen outputs, multiple values by a factor of 0.95

DLC Listing

	25W	40W	50W
4000K			
5000K			X

Quickship Model

D536-LED5050UBZQ

(50W, 5000K, 120-277V, Bronze, Glass Lens, No Options)

Mounting Bracket Details



Hinged Quick-Mount Bracket, Stamped Steel, Mount Over Recessed Electrical Box, or Use 3/4" NPS Downrod for Pendant Mounting.

Motion Sensor with Dimming

FSP-211

The FSP-211 mounts in an outdoor lighting fixture and provides multi-level control based on motion. The sensor also includes a photocell to measure the ambient light level. It controls 0-10 VDC LED drivers or dimming ballasts, as well as non-dimming ballasts and with an SFP-LX Lens, is rated for wet and cold locations. All control parameters are adjustable via a wireless configuration tool capable of storing and transmitting sensor profiles.

Key Factors:

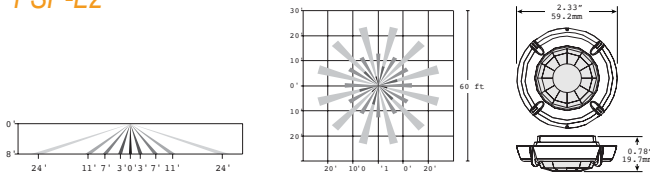
- Full adjustable high and low dimmed light levels.
- Designed for LED fixtures; rated for extreme temperatures and up to 200,000 on/off cycles
- Hold off set point with automatic calibration option for convenience and added energy savings
- Adjustable via hand-held wireless configuration tool
- IP66 rated with choice of lenses for wet and outdoor locations and mounting heights from 8'
- Adjustable time delay and cut off delay



Coverage & Dimensions

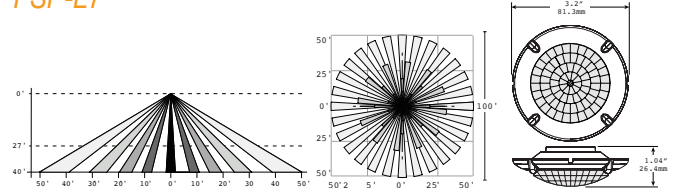
The FS-Lx lenses work with FSP-211 motion sensors to provide multi-level lighting control based on motion and the ambient light level. Four lens choices provide flexibility for varying mounting heights.

FSP-L2



360° lens, maximum coverage 48' diameter from 8' height

FSP-L7



FSP-L3

