



Client: \_\_\_\_\_ Order #: \_\_\_\_\_  
Project Name: \_\_\_\_\_ Type: \_\_\_\_\_ Qty: \_\_\_\_\_

# D803-LED

## Sphere Top Spider Luminaire



### Performance Data

#### CRI

70+ (5000K)  
80+ (4000K and lower)

#### CCT

3000K, 3500K, 4000K, 5000K

#### Projected Lifetime

100,000+ Hours (L70)

#### Dimming

0-10V Dimming Standard,  
100% down to 10%

#### Operating Temperature

-40°C to +55°C Ambient

<b>DSKY</b> Dark Sky Compliant	<b>UL</b> Listed	<b>10 Yr</b> Warranty Including Labor	<b>USA</b> Buy American Act Compliant
--------------------------------------	---------------------	---	---

### Description

The Sphere Top Spider luminaire sets the standard in flexibility for architectural area lighting. Dome shaped, rugged, heavy-gauge, spun aluminum housing, and fully gasketed for weathertight integrity. Standard finish is dark bronze, but other architectural colors are available. The Sphere Top Spider luminaire offers unparalleled variety in one family of fixtures. Ideal for streets, parking lots, and surrounding areas. U.L. listed and CSA certified for wet locations.

### Features

- Spun-aluminum top is finished in polyester powder coat
- Heavy-duty, die-cast aluminum frame is the main load-bearing structure for arm, yoke or spider mountings
- Die-cast aluminum door frame has concealed hinges and is flush with the bottom of the housing
- Thermal shock- and impact-resistant clear tempered flat glass
- UL 1598 listed for wet locations
- Standard color is bronze; also available in black and white. Contact factory for custom finishes
- Dark Sky compliant when ordered at 3000K

# D803-LED



### Ordering Information

#### A FIXTURE SERIES

D803-LED Sphere Top Spider Luminaire

#### B WATTAGE/LUMENS

20	20W/2190 <sup>5</sup>
30	30W/3280 <sup>3</sup>
40	40W/4370 <sup>3</sup>
60	60W/6550 <sup>3</sup>
80	80W/8740 <sup>3</sup>
100	100W/10920 <sup>3,6</sup>
120	120W/13110 <sup>3,6</sup>

#### C CCT

30	3000K
35	3500K
40	4000K
50	5000K <sup>4</sup>

#### D VOLTAGE

UNV	120-277V
347	347V
480	480V (Step-Down Transformer used for 347-480V)

#### E OPTICS

T2	Type 2
T3	Type 3
T5	Type 5 <sup>1</sup>

#### F MOUNTING

PT	Post Top 2 3/8" Tenon
PT3	Post Top 3" Tenon
OT	Other Tenon MT <sup>5</sup>

#### G FINISH

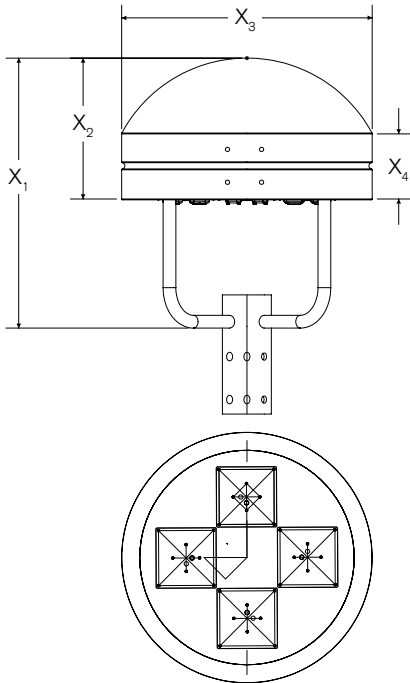
BZ	Bronze <sup>1</sup>
BL	Black
WH	White
CU	Custom <sup>2</sup>

#### H OPTION

SM	Smart Dim*
PC	Photocell
WSF	Wired Single Fuse
WDF	Wired Double Fuse
SC	Safety Cable
LS	Light Shield

- <sup>1</sup>Requires additional control device, see Page 3 for more info
- <sup>1</sup>Standard for fixture
- <sup>2</sup>Contact factory for custom finish
- <sup>3</sup>Delivered Lumens (5000K Type 5 Optics)
- <sup>4</sup>Standard Color Temp.
- <sup>5</sup>Refer to Page 3. Please note that this is a separate order.
- <sup>6</sup> Smart Dim Available

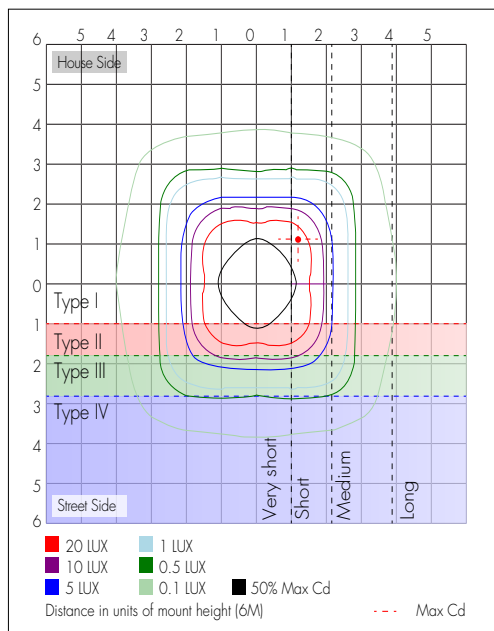
**Dimensions**



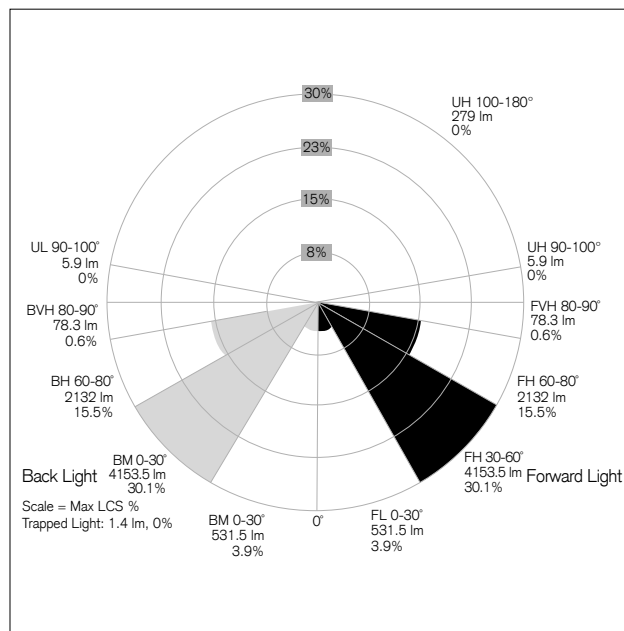
	Inches
X <sub>1</sub>	23.11
X <sub>2</sub>	11.88
X <sub>3</sub>	∅18
X <sub>4</sub>	2.87

**Photometrics**

Model 120W 5000K Type 5  
Isolux-Plot



LCS-Graph



Zonal Lumen Summary

Zone	Lumens	%Luminaire
0-30	1,063.6	7.7%
0-40	2,380.2	17.3%
0-60	9,371.7	67.9%
60-90	4,420.0	32%
70-100	729.7	5.3%
90-120	6.1	0%
0-90	13,791.7	100%
90-180	6.1	0%
0-180	13,797.8	100%

**Smart Dim Options**

Please Note: The Smart Dim option requires a control device, such as a photocell or other centralized system, in order for the unit to function properly.

**Maximize energy-savings with the Dynadimmer 0-10V luminaire-based control for outdoor applications**

Dynadimmer 0-10V is a lamp control device that enables high energy savings with low installation efforts. The small, stand-alone, luminaire-based device can drive a 1-10V electronic ballast to facilitate on- demand light levels and does not require an additional switching wire. The Dynadimmer 0-10V dimming schedule is flexible with up to five dimming levels and five time periods. Easy-to-operate software and programming equipment enable end users to re-program dim times and levels when and as they wish. Offering energy-efficiency and flexibility, the Dynadimmer 0-10V control is ideal for residential, roadway, parking, and industrial applications.

VIEW FULL SENSOR SPEC SHEET BELOW:

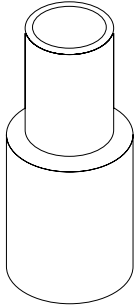
[http://www.getdeco.com/wp-content/themes/deco-digital/pdf/PA-7320-B-Dynadimmer\\_v2\\_web.pdf](http://www.getdeco.com/wp-content/themes/deco-digital/pdf/PA-7320-B-Dynadimmer_v2_web.pdf)



**The Dynadimmer 0-10V solution offers:**

- Reduced energy usage through dimming
- Reduced light nuisance
- Very small size; fits inside almost any luminaire
- Easy-to-use software provides a forecast of energy savings

**Other Tenon Sizes**



DRETA-3.5-TN3 (PT3.5)	Round External Tenon Adapter to Slip Over 3.5" Diameter Round Pole to 3" Post Top
DRETA-4-TN3 (PT4)	Round External Tenon Adapter to Slip Over 4" Diameter Round Pole to 3" Post Top
DRETA-5-TN3 (PT5)	Round External Tenon Adapter to Slip Over 4" Diameter Round Pole to 3" Post Top
DRETA-6-TN3 (PT6)	Round External Tenon Adapter to Slip Over 4" Diameter Round Pole to 3" Post Top

**Please note that this is ordered separately**