



D805-LED

Cylinder Luminaire

Client: _____
Project Name: _____

Order #: _____
Type: _____ Qty: _____

Performance Data

CRI

70+ (5000K)
80+ (4000K and lower)

CCT

3000K, 3500K, 4000K, 5000K

Projected Lifetime

100,000+ Hours (L70)

Dimming

0-10V Dimming Standard,
100% down to 10%

Operating Temperature

-40°C to +55°C Ambient



DSKY

Dark Sky
Compliant

UL

Listed

10 Yr

Warranty
Including Labor

USA

Buy American
Act Compliant

Description

The Cylinder luminaire sets the standard in flexibility for architectural area lighting. Cylinder shaped, rugged, heavy-gauge, spun aluminum housing, and fully gasketed for weathertight integrity. Standard finish is dark bronze, but other architectural colors are available. The Cylinder luminaire offers unparalleled variety in one family of fixtures. Ideal for streets, parking lots, and surrounding areas. U.L. listed and CSA certified for wet locations.

Features

- Spun-aluminum top is finished in polyester powder coat.
- Premium segmented optical modules.
- Heavy-duty, die-cast aluminum frame is the main load bearing structure for arm, yoke or spider mountings.
- Die-cast aluminum door frame has concealed hinges and is flush with the bottom of the housing.
- Thermal shock- and impact-resistant clear tempered flat glass.
- Certification CSA Listed.
- UL 1598 listed for wet locations.
- Standard color is bronze; also available in black and white. Contact factory for custom finishes.
- Dark Sky compliant when ordered at 3000K

D805-LED

A

B

C

D

E

F

G

H

Ordering Information

A FIXTURE SERIES

D805-LED Cylinder Luminaire

B WATTAGE/LUMENS

20	20W/2190 ³
30	30W/3280 ³
40	40W/4370 ³
60	60W/6550 ³
80	80W/8740 ³
100	100W/10920 ^{3,5}
120	120W/13110 ^{3,5}

C CCT

30	3000K
35	3500K
40	4000K
50	5000K ⁴

D VOLTAGE

UNV	120-277V
347	347V
480	480V
(Step-Down Transformer used for 347-480V)	

E OPTICS

T2	Type 2
T3	Type 3
T5	Type 5 ¹

F MOUNTING

PM	Pole Mount
WM	Wall Mount
RPM	Round Pole Mount

G FINISH

BZ	Bronze ¹
BL	Black
WH	White
CU	Custom ²

H OPTION

SM	Smart Dim*
PH	Photocell
PS	Polycarbonate Shield
WSF	Wired Single Fuse
WDF	Wired Double Fuse
LS	Light Shield

³ Requires additional control device, see Page 3 for more info

¹ Standard for fixture

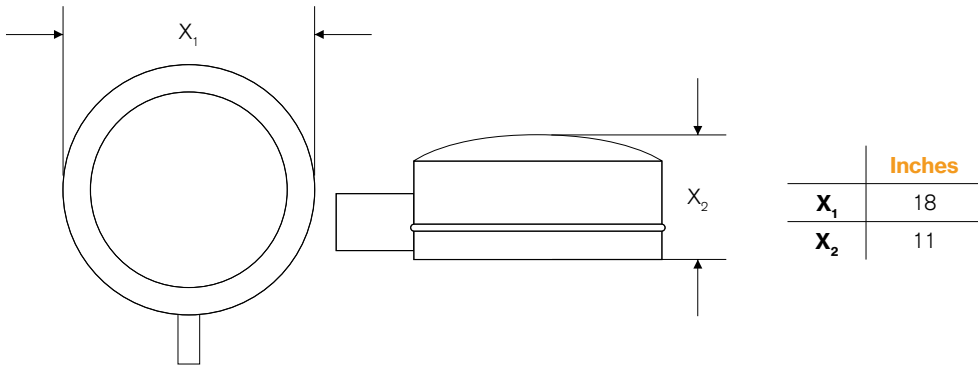
² Contact factory for custom finish

³ Delivered Lumens (5000K Type 5 Optics)

⁴ Standard Color Temp

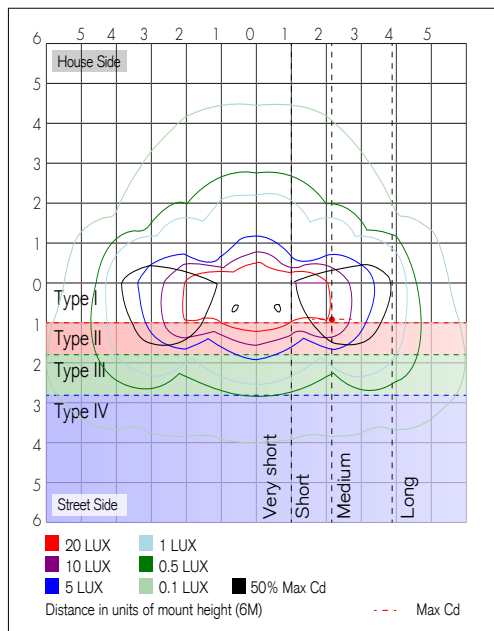
⁵ Smart Dim Available

Dimensions



Photometrics

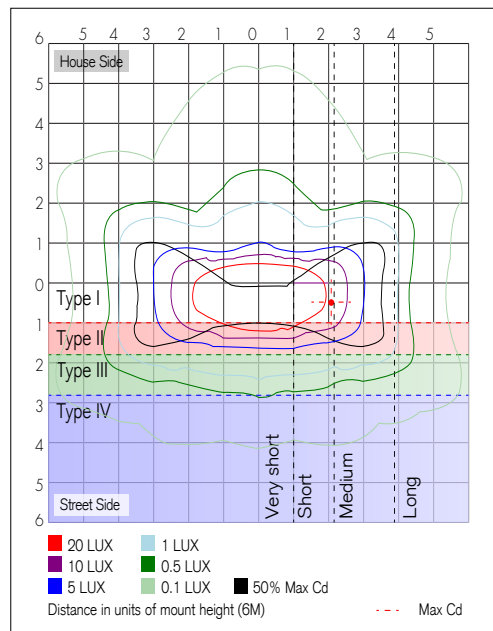
120W 4000K Type 2 Distribution
Isolux-Plot



Zonal Lumen Summary

Zone	Lumens	%Luminaire
0-30	2,811.4	19.2%
0-40	4,893.1	33.4%
0-60	9,660.7	66%
60-90	4,964.2	33.9%
70-100	2,011.0	13.7%
90-120	12.9	0.1%
0-90	14,625.0	99.9%
90-180	12.9	0.1%
0-180	14,637.8	100%

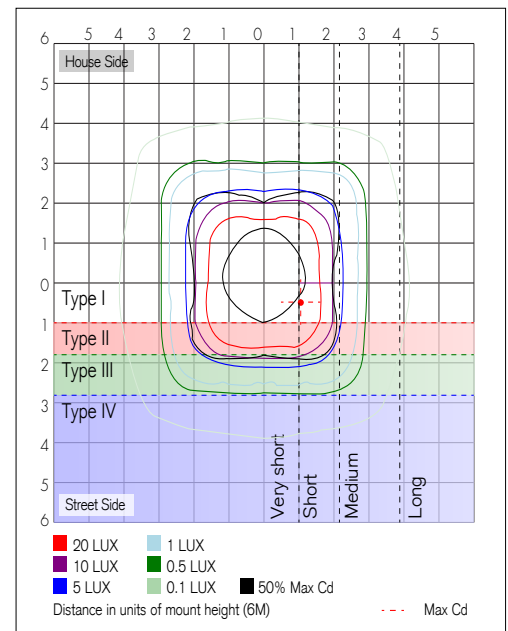
120W 4000K Type 3 Distribution
Isolux-Plot



Zonal Lumen Summary

Zone	Lumens	%Luminaire
0-30	2,936.7	20.1%
0-40	5,118.7	35%
0-60	10,104.1	69%
60-90	4,528.8	30.9%
70-100	1,876.4	12.8%
90-120	5.6	0%
0-90	14,632.9	100%
90-180	5.6	0%
0-180	14,638.6	100%

120W 4000K Type 5 Distribution
Isolux-Plot



Zonal Lumen Summary

Zone	Lumens	%Luminaire
0-30	1,118.9	7.7%
0-40	2,504.0	17.3%
0-60	9,859.0	67.9%
60-90	4,649.9	32%
70-100	767.6	5.3%
90-120	6.4	0%
0-90	14,508.8	100%
90-180	6.4	0%
0-180	14,515.3	100%

Smart Dim Options

Please Note: The Smart Dim option requires a control device, such as a photocell or other centralized system, in order for the unit to function properly.

Maximize energy-savings with the Dynadimmer 0-10V luminaire-based control for outdoor applications

Dynadimmer 0-10V is a lamp control device that enables high energy savings with low installation efforts. The small, stand-alone, luminaire-based device can drive a 1-10V electronic ballast to facilitate on- demand light levels and does not require an additional switching wire. The Dynadimmer 0-10V dimming schedule is flexible with up to five dimming levels and five time periods. Easy-to-operate software and programming equipment enable end users to re-program dim times and levels when and as they wish. Offering energy-efficiency and flexibility, the Dynadimmer 0-10V control is ideal for residential, roadway, parking, and industrial applications.

VIEW FULL SENSOR SPEC SHEET BELOW:

http://www.getdeco.com/wp-content/themes/deco-digital/pdf/PA-7320-B-Dynadimmer_v2_web.pdf



The Dynadimmer 0-10V solution offers:

- Reduced energy usage through dimming
- Reduced light nuisance
- Very small size; fits inside almost any luminaire
- Easy-to-use software provides a forecast of energy savings

Drilling Pattern

