



D811-LED

Decorative Outdoor Luminaire

Client: _____ Order #: _____
Project Name: _____ Type: _____ Qty: _____



Performance Data

CRI

70+ (5000K)
80+ (4000K and lower)

CCT

3000K, 3500K, 4000K, 5000K

Projected Lifetime

106,000 Hours (L70)

Dimming

0-10V Dimming Standard,
100% down to 10%

Operating Temperature

-40°C to +50°C Ambient

UL Listed	10 Yr Warranty Including Labor	USA Buy American Act Compliant
---------------------	---	---

Description

The D811-LED Vandalproof Outdoor Luminaire sets the standard in flexibility for area lighting in high-vandalism areas. Rugged, heavy-gauge, spun aluminium housing, and fully gasketed for weathertight integrity. Standard finish is bronze, but other architectural colors are available. The Vandalproof Outdoor luminaire offers unparalleled variety in one family of fixtures. Ideal for streets, parking lots, and surrounding areas. UL listed, suitable for wet locations.

Features

- Housing is heavy duty spun and cast aluminum.
- Standard external slipfitter is cast aluminum and is designed to fit a 3" OD pole or tenon.
- Large housing has 18 fins, small housing has 12 fins, both @ 20" apart; The fins protect the luminaire from vandalism and thrown objects.
- Standard color is bronze; also available in black and white. Contact factory for custom finishes.
- 1.2 EPA (Size 10); 2.1 EPA (Size20)

D811-LED



Ordering Information

A FIXTURE SERIES

D811-LED	Decorative Outdoor Luminaire
----------	------------------------------

B FIXTURE SERIES

10	13" Dia.
20	21" Dia.

C WATTAGE/LUMENS (SIZE 10)

60	60W/3000 ³
80	80W/4000 ³

(SIZE 20)

100	100W/5000 ^{3,6}
120	120W/6000 ^{3,6}

D CCT

30	3000K
35	3500K
40	4000K
50	5000K ⁴

E VOLTAGE

UNV	120-277V ¹
347	347V
480	480V

(Step-Down Transformer used for 347-480V)

F

REFRACTOR

T3	Type 3
T5	Type 5 ¹

G MOUNTING

PT3	Post Top 3" Tenon ¹
OT	Other Tenon MT ⁷ (Refer to pg 3. Please note that this is a separate order)

H FINISH

BZ	Bronze ¹
BL	Black
WH	White
CU	Custom ²

I OPTIONS

SM	Smart Dim [*]
PC	Photocell
WSF	Wired Single Fuse ⁵
WDF	Wired Double Fuse ⁵

*Requires additional control device, see Page 2 for more info

¹ Standard for fixture

² Contact factory for custom finish

³ Delivered Lumens (5000K)

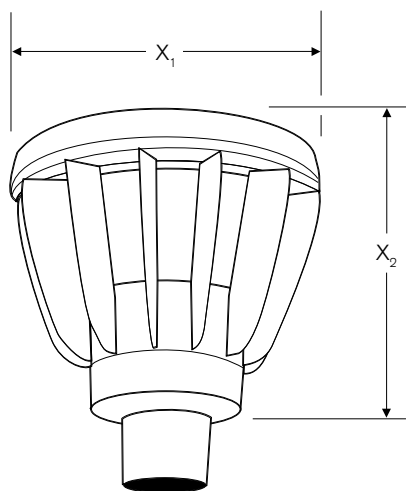
⁴ Standard Color Temp.

⁵ Specify Voltage (eg. 120V)

⁶ Smart Dim Available

⁷ Refer to Page . Please note that this is a separate order.

Dimensions



	Inches	
	Size 10	Size 20
X₁	13	21
X₂	13	18

Smart Dim Options

Please Note: The Smart Dim option requires a control device, such as a photocell or other centralized system, in order for the unit to function properly.

Maximize energy-savings with the Dynadimmer 0-10V luminaire-based control for outdoor applications

Dynadimmer 0-10V is a lamp control device that enables high energy savings with low installation efforts. The small, stand-alone, luminaire-based device can drive a 1-10V electronic ballast to facilitate on-demand light levels and does not require an additional switching wire. The Dynadimmer 0-10V dimming schedule is flexible with up to five dimming levels and five time periods. Easy-to-operate software and programming equipment enable end users to re-program dim times and levels when and as they wish. Offering energy-efficiency and flexibility, the Dynadimmer 0-10V control is ideal for residential, roadway, parking, and industrial applications.

VIEW FULL SENSOR SPEC SHEET BELOW:

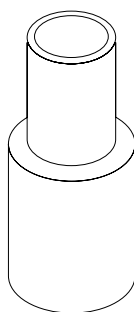
http://www.getdeco.com/wp-content/themes/deco-digital/pdf/PA-7320-B-Dynadimmer_v2_web.pdf



The Dynadimmer 0-10V solution offers:

- Reduced energy usage through dimming
- Reduced light nuisance
- Very small size; fits inside almost any luminaire
- Easy-to-use software provides a forecast of energy savings

Other Tenon Sizes



DRETA-3.5-TN3 (PT3.5)	Round External Tenon Adapter to Slip Over 3.5" Diameter Round Pole to 3" Post Top
DRETA-4-TN3 (PT4)	Round External Tenon Adapter to Slip Over 4" Diameter Round Pole to 3" Post Top
DRETA-5-TN3 (PT5)	Round External Tenon Adapter to Slip Over 4" Diameter Round Pole to 3" Post Top
DRETA-6-TN3 (PT6)	Round External Tenon Adapter to Slip Over 4" Diameter Round Pole to 3" Post Top

Please note that this is ordered separately