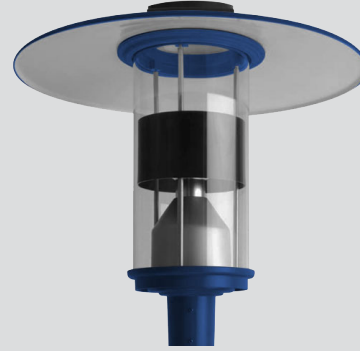




Client: _____ Order #: _____
Project Name: _____ Type: _____ Qty: _____

D814-LED

Contemporary Outdoor Luminaire



Performance Data

CRI

70+ (5000K)
80+ (4000K and lower)

CCT

3000K, 3500K, 4000K, 5000K

Projected Lifetime

100,000+ Hours (L70)

Dimming

0-10V dimming standard
100% down to 10%

Operating Temperature

-40°C to +55°C Ambient

UL Listed	10 Yr Warranty Including Labor	USA Buy American Act Compliant
---------------------	---	---

Description

The D814 Contemporary Outdoor Luminaire provides glare free and symmetrical illumination. The design of the top shade ensures the majority of the light is directed downward. The anti-glare ring shields the lamp from direct view. Standard finish is dark bronze, but other architectural colors are available. Ideal for streets, parking lots, and surrounding areas.

Features

- Housing is 1/8" thick spun aluminum hood with (4) 1" O.D. extruded aluminum supports and cast aluminum pole fitter.
- Spun aluminum white painted reflector.
- Injection molded polycarbonate cylinder lens.
- Complies with IP65 rating.

D814-LED



Ordering Information

A FIXTURE SERIES

D814-LED Contemporary Outdoor Luminaire

B WATTAGE/LUMENS

20	20W/2184 ³
30	30W/3276 ³
40	40W/4368 ³
60	60W/6552 ³

CCT

30	3000K
35	3500K
40	4000K
50	5000K ⁴

D VOLTAGE

UNV	120-277V
347	347V
480	480V
(Step-Down Transformer used for 347-480V)	

E MOUNTING

PT	Post Top 2 3/8" Tenon
PT3	Post Top 3" Tenon
OT	Other Tenon MT ⁶

F FINISH

BZ	Bronze ¹
BL	Black
WH	White
CU	Custom ²

G OPTION

PH	Photocell
WSF	Wired Single Fuse ⁵
WDF	Wired Double Fuse ⁵

¹Standard for fixture

²Contact factory for custom finish

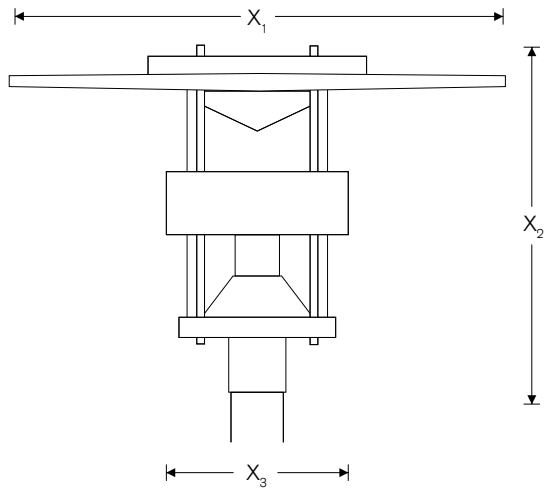
³Delivered Lumens (5000K)

⁴Standard Color Temp.

⁵Specify Voltage (eg. 120V)

⁶Specify size or consult factory

Dimensions



	Inches
X_1	28
X_2	25
X_3	8 / 12