



D822-LED

Prismatic Outdoor Luminaire

Client: _____ Order #: _____
 Project Name: _____ Type: _____ Qty: _____



Performance Data

CRI

75+ (5000K)
 80+ (4000K and lower)

CCT

3000K, 3500K, 4000K, 5000K

Projected Lifetime

200,000 Hours (L80);
 90,000 Hours (L90)

Dimming

0-10V Dimming Standard,
 100% down to 10%

Operating Temperature

-40°C to +50°C Ambient

UL Listed	10 Yr Warranty Including Labor	USA Buy American Act Compliant
---------------------	---------------------------------------------	---------------------------------------------

Description

The D822-LED luminaire features classic architectural styling that blends beautifully in a wide range of commercial environments and landscape designs. Prismatic refractor lens with upper reflector for smooth symmetrical light distribution. Heavy gauge aluminum construction with durable, weather resistant polyester powder coat finish in a variety of standard and custom colors. Ideal for parks, urban plazas, shopping centers, boardwalks, apartment complexes, hotels and resorts.

Features

- Heavy-gauge die-cast and spun aluminum construction.
- Available with acrylic or polycarbonate prismatic refractor lens.
- Standard distribution pattern is Type V (360° circular).
- 180° internal cutoff shield is available as an option.
- Available in wattages up to 80W
- Three stainless steel allen screws secure the fixture.
- EPA: 1.36ft² (20-60W); 1.47ft² (80W)

D822-LED

A

B

C

D

E

F

G

H

I

Ordering Information

A FIXTURE SERIES

D822-LED Prismatic Outdoor Luminaire

B WATTAGE/LUMENS

20	20W/2100 ^{3,7}
30	30W/3200 ^{3,7}
40	40W/4300 ^{3,7}
60	60W/6500 ^{3,7}
80	80W/8700 ^{3,7}

C CCT

30	3000K
35	3500K
40	4000K
50	5000K ⁴

D VOLTAGE

UNV	120-277V
347	347V
480	480V
(Step-Down Transformer used for 347-480V)	

E OPTICS

T3	Type 3
T5	Type 5 ¹

F LENS

A	Acrylic
P	Polycarbonate

G MOUNTING

PT	Post Top 2 3/8" Tenon
PT3	Post Top 3" Tenon
OT	Other Tenon MT ⁶

H FINISH

BZ	Bronze ¹
BL	Black
WH	White
SL	Silver
CU	Custom ²

I OPTION

PC	Photocell
WSF	Wired Single Fuse ⁵
WDF	Wired Double Fuse ⁵
LS	Light Shield

¹ Standard for fixture

² Contact factory for custom finish

³ Delivered Lumens (5000K)

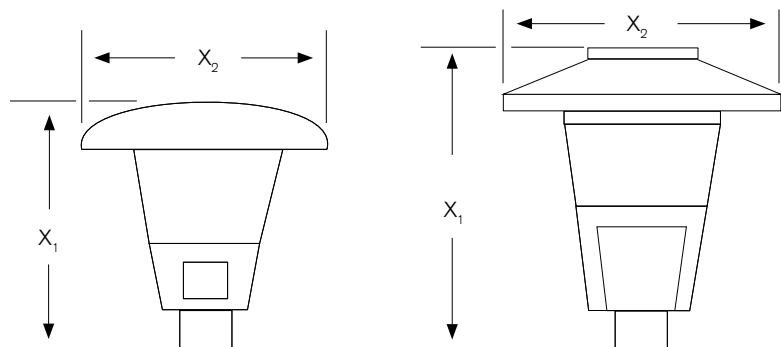
⁴ Standard Color Temp.

⁵ Specify Voltage (eg. 120V)

⁶ Refer to Page 3. Please note that this is a separate order.

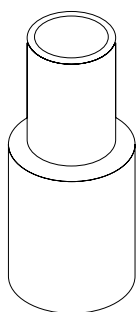
⁷ Size 23 (20W-60W); Size 27 (80W)

Dimensions



	Inches	
	Size X ₁	Size X ₂
Medium	24.00	22.00
Large	25.63	26.38

Other Tenon Sizes



DRETA-3.5-TN3 (PT3.5)	Round External Tenon Adapter to Slip Over 3.5" Diameter Round Pole to 3" Post Top
DRETA-4-TN3 (PT4)	Round External Tenon Adapter to Slip Over 4" Diameter Round Pole to 3" Post Top
DRETA-5-TN3 (PT5)	Round External Tenon Adapter to Slip Over 4" Diameter Round Pole to 3" Post Top
DRETA-6-TN3 (PT6)	Round External Tenon Adapter to Slip Over 4" Diameter Round Pole to 3" Post Top

Please note that this is ordered separately