



D832-LED

Modern Outdoor Luminaire

Client: _____ Order #: _____
Project Name: _____ Type: _____ Qty: _____



Performance Data

CRI

70+ (5000K)
80+ (4000K and lower)

CCT

3000K, 3500K, 4000K, 5000K

Projected Lifetime

100,000+ Hours (L70)

Dimming

0-10V Dimming Standard,
100% down to 10%

Operating Temperature

-40°C to +55°C Ambient

UL Listed	10 Yr Warranty Including Labor	USA Buy American Act Compliant
---------------------	---	---

Description

The D832-LED Modern Outdoor Luminaire sets the standard in flexibility for architectural area lighting. Modern shape, rugged style made of low copper aluminum die cast with opal glass diffuser and fully gasketed for weather-tight integrity. Standard finish is dark bronze, but other architectural colors are available. The Modern Outdoor luminaire offers unparalleled variety in one family of fixtures. Ideal for streets, parking lots, and surrounding areas.

Features

- Constructed with low copper aluminum die cast with opal glass diffuser.
- High corrosion resistant polyester powder coat finish.
- Vandal resistant stainless steel hardware.
- Fully enclosed and gasketed for outdoor applications.
- Suitable for wet locations.
- Housing natively offers Full Cut-Off light output; Dark Sky compliant at 3000K

D832-LED

FG



Ordering Information

A FIXTURE SERIES

D832-LED Modern Outdoor Luminaire

B WATTAGE/LUMENS

20	20W/2030 ^{3,5}
30	30W/3030 ^{3,5}
40	40W/4050 ^{3,5}
60	60W/6080 ^{3,5}
80	80W/8120 ^{3,5}
100	100W/10700 ^{3,5}
120	120W/13090 ^{3,5}

C CCT

30	3000K
35	3500K
40	4000K
50	5000K ^{4,5}

D VOLTAGE

UNV	120-277V
347	347V
480	480V (Step-Down Transformer used for 480V Divider)

E ARM

See Page 3

F MOUNTING

1	Blank
2	Double
3	Triple
4	Quad
1W	Wall Mount

G POLE OR TENON SIZE

PT	Post Top 2 3/8" Tenon
PT3	Post Top 3" Tenon
PT4	Post Top 4" Tenon

H LENS TYPE

FG Flat Glass

I Finish

BZ	Bronze ¹
BL	Black
WH	White
SL	Silver
CU	Custom ²

J OPTION

PC	Photocell
WSF	Wired Single Fuse
WDF	Wired Double Fuse

¹ Standard for fixture

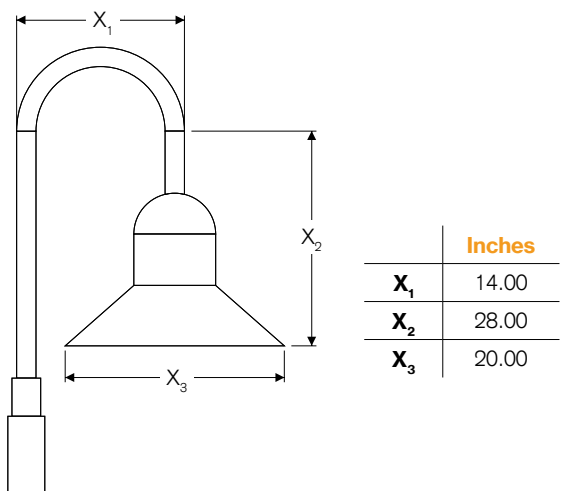
² Contact factory for custom finish

³ Delivered Lumens (5000K)

⁴ Standard Color Temp.

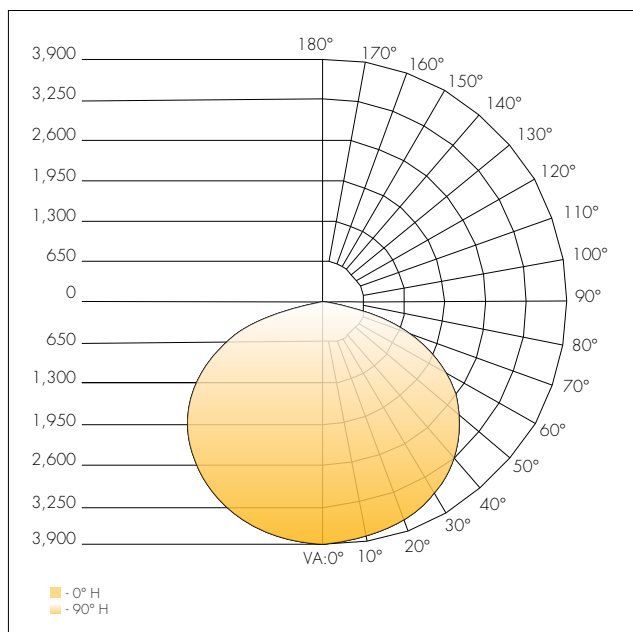
⁵ Specific size or consult factory

Dimensions

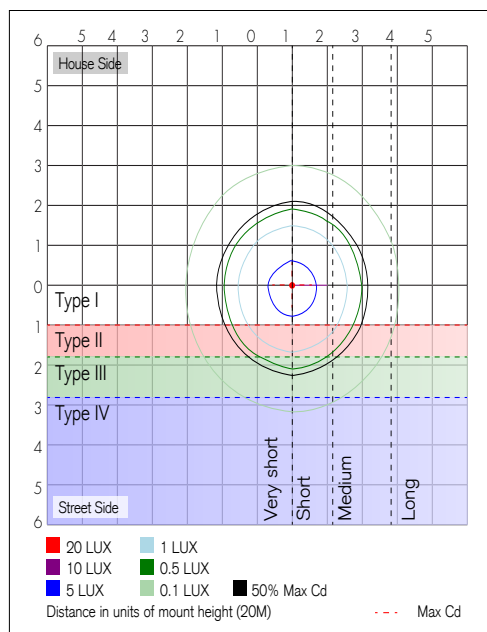


Photometrics

Model 120W 5000K



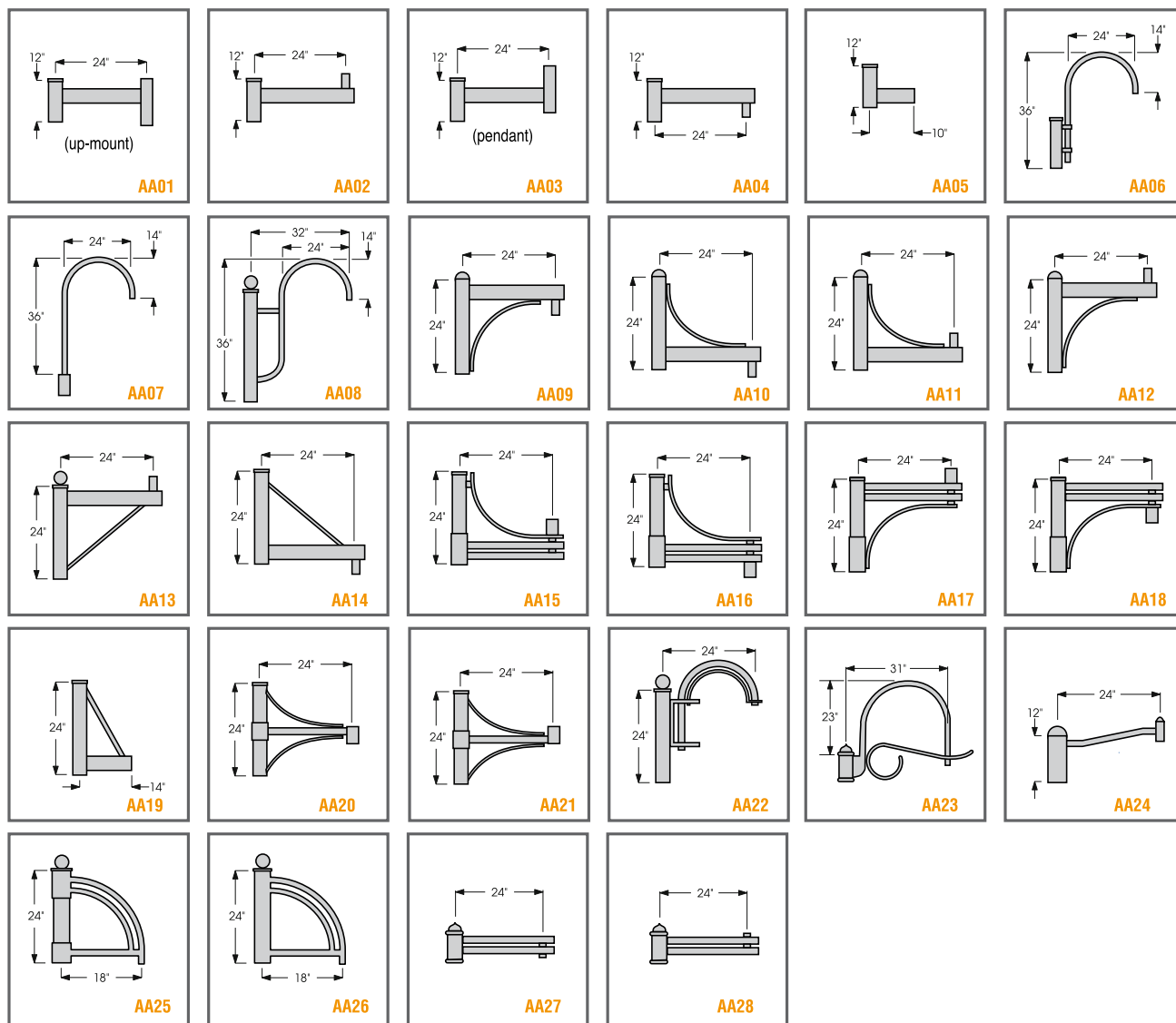
Isolux-Plot



Zonal Lumen Summary

Zone	Lumens	%Luminaire
0-30	3,117.2	23.8%
0-40	5,257.9	40.2%
0-60	9,954.7	76.1%
60-90	3,124.6	23.9%
70-100	1,245.9	9.5%
90-120	0.000	0%
0-90	13,079.3	100%
90-180	0.000	0%
0-180	13,079.3	100%

Arm Options



Lumen Output

Lumen Chart

Wattage	5000K	4000K	3500K	3000K
20	2030	1930	1840	1750
30	3030	2880	2740	2610
40	4050	3850	3660	3480
60	6080	5780	5500	5230
80	8120	7720	7340	6980
100	10700	10170	9670	9190
120	13090	12440	11820	11230

*Lumen outputs are based on 5000K performance data and then scaled down to the other temperatures.

Wall Plate Mounting

