

Poles

DAB/DSB

Aluminium/Steel Mounting

Job Information

Type:

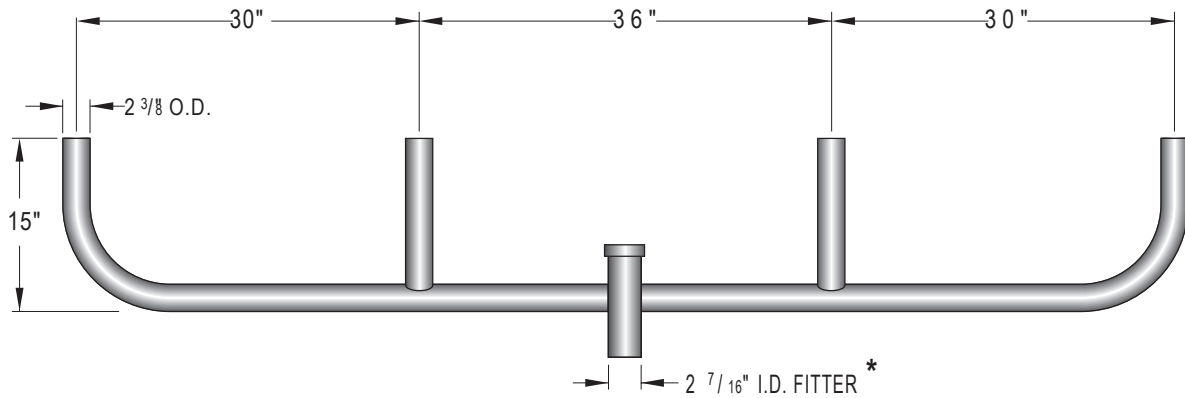
Catalog #:

Project:

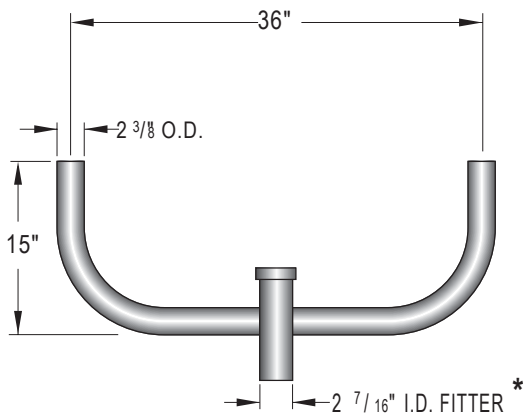
Comments:

Prepared by:

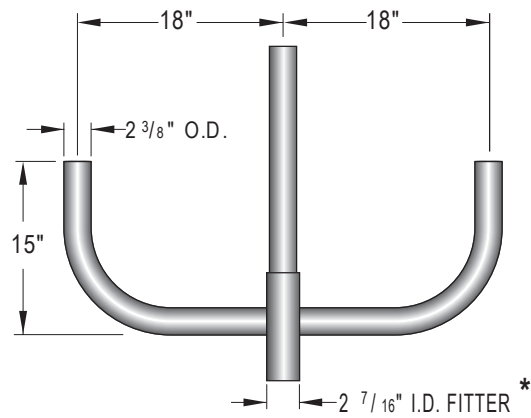
Specifications



(ALUMINUM=DAB-4-180)
(STEEL=DSB-4-180)
E.P.A.= 1.85



(ALUMINUM=DAB-2-180)
(STEEL=DSB-2-180)
E.P.A.= 0.81



(ALUMINUM=DAB-3-180)
(STEEL=DSB-3-180)
E.P.A.= 1.04

* FITTER ACCEPTS
2 3/8" O.D. X 4" TENON



Poles

DRSA-WM-BZ

Steel Mounting

Job Information

Type:

Catalog #:

Project:

Comments:

Prepared by:

Specifications

DRSA-WM-BZ

