



# DACH-LED Round

## Architectural LED Channel

### Performance Data

CRI

80+

CCT

4000K, 5000K

### Projected Lifetime

200,000 Hours (L80);  
102,000 Hours (L90)

### Dimming

0-10V Dimming Standard,  
100% down to 10%

### Operating Temperature

-30°C to +50°C Ambient

### UL Listed

UL, Suitable for dry and damp locations

Client: \_\_\_\_\_

Project Name: \_\_\_\_\_

Order #: \_\_\_\_\_

Type: \_\_\_\_\_ Qty: \_\_\_\_\_



**DLC**

Premium

**10 Yr**

Warranty  
Including Labor

**USA**

Buy American  
Act Compliant

### Description

The DACH-LED round series is a functional and multi-purpose channel family that incorporates premium performance and construction durability. The performance and application versatility makes this fixture usable in every application. This fixture can be installed using various mounting methods and numerous options and accessories are available (see Page 3). The DACH-LED round series can be the illumination solution in commercial, industrial, institutional and retail applications. An excellent choice for storage/utility areas, coves, display cases, shops, task and general area lighting.

### Features

- Die formed channel.
- Powder coated white enamel finish after fabrication.
- Easy wireway access/wireway cover removed without tools.
- Numerous KO's for easy installation.
- Also available in tandem 8' lengths, & tandem wired 16' lengths.
- UL listed for damp location
- LED driver is 0-10V dimming standard.
- Operating Temperature: -20°C to +50°C Ambient
- OPTICS: Architectural frosted diffuse lens eliminates pixelation, improves uniformity and minimizes glare.
- DLC Premium Listed for utility rebates (see DLC matrix below for more information)
- Performs at up to 130 lumens per watt; CRI: 80+
- Lifetime Ratings - L90: 112,000 hours; L80: 224,000 hours
- EM-Emergency to provide 16W (2000 Lumens) MAX load for 90 min.

## DACH-LED

A

B

C

D

## UNV

E

## R

F

## DM

G

## O

H

I

### Ordering Information

#### A FIXTURE SERIES

DACH-LED Round Architectural  
LED Channel Luminaire

#### B LENGTH

2	2'
4	4'
8	8'

#### C WATTAGE/LUMENS (LENGTH 2)

20	20W/2350 <sup>1,3</sup>
----	-------------------------

#### (LENGTH 4)

23	23W/2560 <sup>1,3</sup>
----	-------------------------

35	35W/4550 <sup>1,3</sup>
----	-------------------------

46	46W/5980 <sup>1,3</sup>
----	-------------------------

#### (LENGTH 8)

46	46W/5980 <sup>1,3</sup>
----	-------------------------

65	65W/8580 <sup>1,3</sup>
----	-------------------------

90	90W/11700 <sup>1,3</sup>
----	--------------------------

#### D CCT

40	4000K
50	5000K

#### E VOLTAGE

UNV	120-277V
-----	----------

#### F HOUSING

R	Round
---	-------

#### G DIMMING

DM	0-10V Dimming Standard
----	------------------------

#### H BODY TYPE

O	One-Piece Lens (8-ft units only) <sup>2</sup>
---	--

#### I OPTIONS

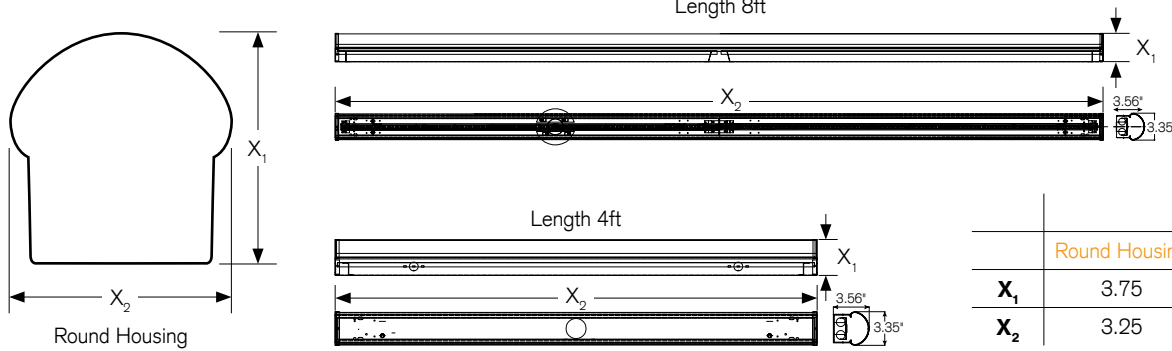
E	Emergency
---	-----------

K	Control Scope Connected
---	-------------------------

M	Motion Sensor <sup>4</sup>
---	----------------------------

- <sup>1</sup> Delivered Lumens (4000K) - See full lumen chart
- <sup>2</sup> Only applies to 8-ft models. Indicates single 8-ft unit rather than two 4ft units connected together
- <sup>3</sup> DLC Listed wattage (for more information see chart on Page 3)
- <sup>4</sup> For more information on the Motion Sensor features and benefits see Page 3

**Dimensions**

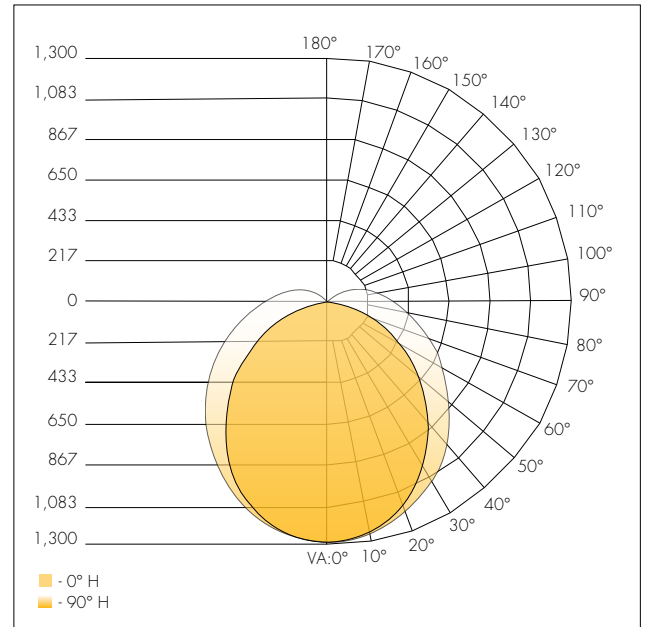


**Photometrics**

Coefficients of Utilization  
Effective Floor Cavity Reflectance: 20%

RCC %:	80				70				50				30				10				0			
RW %:	70	50	30	0	70	50	30	0	50	30	20	0	50	30	20	0	50	30	20	0	50	30	20	0
RCR: 0	1.16	1.16	1.16	1.16	1.12	1.12	1.12	.88	1.05	1.05	1.05	.98	.98	.98	.98	.91	.91	.91	.91	.88	.88	.88	.88	.88
1	1.04	.98	.93	.89	1.00	.95	.90	.70	.88	.85	.81	.82	.79	.77	.77	.75	.75	.72	.72	.69	.69	.69	.69	.69
2	.94	.85	.77	.71	.90	.82	.75	.58	.76	.71	.66	.71	.66	.62	.62	.66	.63	.59	.59	.56	.56	.56	.56	.56
3	.85	.74	.65	.58	.82	.71	.63	.48	.67	.60	.54	.62	.57	.52	.52	.58	.54	.50	.50	.47	.47	.47	.47	.47
4	.78	.65	.56	.49	.75	.63	.55	.41	.59	.52	.46	.55	.49	.44	.44	.52	.47	.42	.42	.40	.40	.40	.40	.40
5	.71	.58	.49	.42	.68	.56	.48	.36	.53	.45	.40	.50	.43	.38	.38	.47	.41	.37	.37	.34	.34	.34	.34	.34
6	.66	.52	.43	.36	.63	.51	.42	.32	.48	.40	.35	.45	.38	.33	.33	.42	.36	.32	.32	.30	.30	.30	.30	.30
7	.61	.47	.38	.32	.59	.46	.37	.28	.43	.36	.30	.41	.34	.29	.29	.38	.33	.28	.28	.26	.26	.26	.26	.26
8	.57	.43	.34	.28	.55	.42	.34	.25	.40	.32	.27	.37	.31	.26	.26	.35	.30	.25	.25	.23	.23	.23	.23	.23
9	.53	.39	.31	.26	.51	.38	.31	.23	.36	.29	.24	.34	.28	.24	.24	.33	.27	.23	.23	.21	.21	.21	.21	.21
10	.50	.36	.28	.23	.48	.35	.28	.21	.34	.27	.22	.32	.26	.21	.21	.30	.25	.21	.21	.19	.19	.19	.19	.19

Model 4' 35W 4000K



**Zonal Lumen Summary**

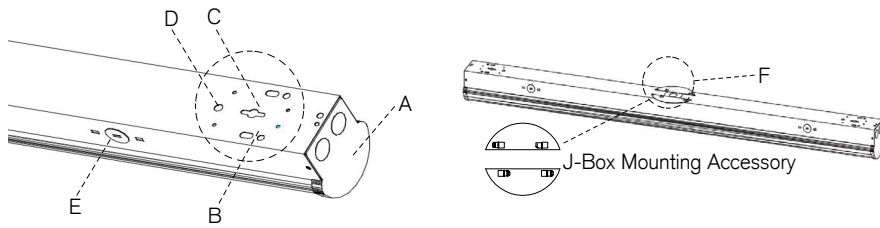
Zone	Lumens	%Luminaire
0-30	982.6	21.5%
0-40	1,603.6	35.1%
0-60	2,850.5	62.3%
50-90	1,186.4	25.9%
70-100	877.0	19.2%
90-120	422.1	9.2%
0-90	4,036.9	88.2%
90-180	537.9	11.8%
0-180	4,574.8	100%

**Lumen Output**

Lumen Chart

Model	System Wattage	5000K	4000K
2' 20W	19	2400	2350
4' 23W	23	2989	2900
4' 35W	35	4600	4550
4' 46W	46	6050	5980
8' 46W	46	6050	5980
8' 65W	65	8645	8580
8' 90W	88	11790	11700

**Mounting Details**



A:	End Cap
B:	Suspension-mount with v-hook
C:	Surface Mount
D:	T-Bar Clip Mounting hole
E:	Wiring Knockout

**Accessories ((Ordered and Shipped Separately)**

Mounting	
5011003-6	V-hook and Aircraft Cable Suspension Kit - 6'
5011003-10	V-hook and Aircraft Cable Suspension Kit - 10'

**DLC Listed**

	2'		4'		8'		
	20W	23W	35W	46W	46W	65W	90W
4000K	X	X	X	X	X	X	X
5000K	X	X	X	X	X	X	X

**Projected LED Maintenance**

Operating Hours	0	25,000	50,000	100,000	150,000
25°C (77°F) Ambient Outdoor Temp					
Lumen Maintenance Factor	1	0.99	0.96	0.91	0.86
45°C (113°F) Ambient Outdoor Temp					
Lumen Maintenance Factor	1	0.96	0.90	0.81	0.72

**Motion Sensor Option**



**Step Dimming & Bi-Level**

**FSP-201B**

The FSP-2x1B is a family of passive infrared (PIR) outdoor sensors that raise or lower the electric lighting level to high, low or off based on motion and/ or daylight contribution. Typically, once the sensor stops detecting movement and the time delay elapses, lights will first fade to low mode, and eventually switch off. When motion is detected, the sensor ramps the light level to high mode unless the daylight contribution is sufficient.

The integral photocell can also switch the lights on and off for dusk to dawn control, so that lighting remains on overnight even without motion detection. The sensors control 0-10VDC or nondimming LED drivers or ballasts. The low voltage FSP-201B may be used with dim-to-off drivers or ballasts.

Initial setup and subsequent sensor adjustments are made using a Wireless Handheld Configuration Tool (FSIR-100). This tool enables adjustment of sensor parameters including high/low mode, sensitivity, time delay, cut off and more. The FSIR-100 can read current parameter settings, and stores up to six sensor parameter profiles to speed commissioning of multiple sensors.

The FSP-2x1B family is available in three configurations for mounting inside a fixture, to the outside of a fixture or enclosure via a 1/2" knockout, or to a pole.



**Compatible Drivers**

Brand	EASEIC	LEVITON
Models	EID110U	AWSMT716