

Client: _____

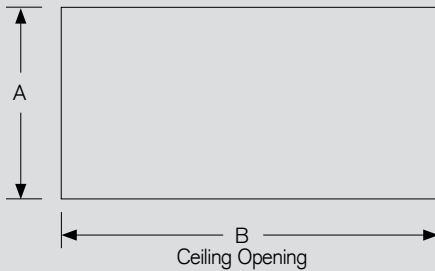
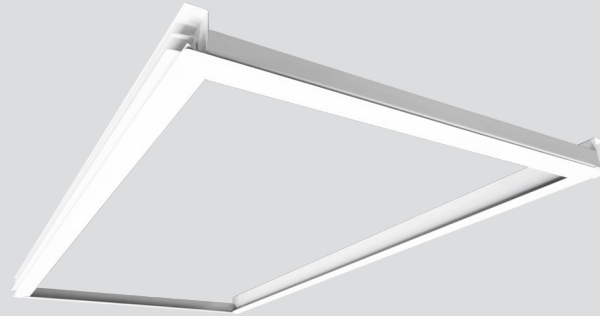
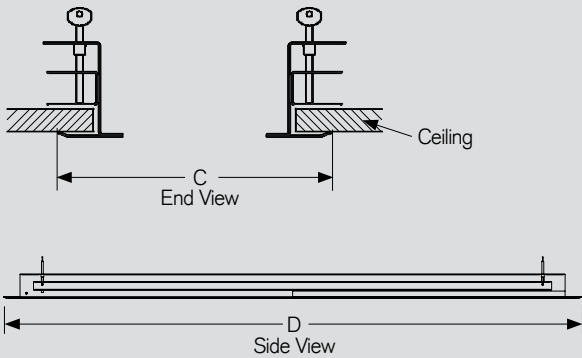
Order #: _____

Project Name: _____

Type: _____ Qty: _____

DFK ACCESSORIES

Flange Kit



Application

The Deco Flange Kit is a quick and easy-to-install solution to convert any T-Bar luminaire into a drywall/flanged luminaire. The specification grade kit is available in 2'x2', 2'x4', and 1'x4' sizes.

Features

- Converts any T-Bar luminaire into a flanged luminaire
- Universal - Fits all manufacturer's T-Bar luminaires
- Press fit end flanges remove to allow for continuous row mounting.
- Requires only 3" clearance over fixture depth.
- Adjustable for drywall, plaster and similar type ceilings up to 1" thick.
- Clean appearance.
- No exposed fasteners.
- Heavy Duty Construction.

DFK



Ordering Information

A FIXTURE SERIES

DFK Flange Kit

B LENGTH

1	1'
2	2'

C WIDTH

2	2'
4	4'

D FINISH

WH	White
CU	Custom

Nominal Dimensions	Ceiling Opening		Overall Flange	
	Width	Length	Width	Length
	A	B	C	D
1 x 4	12 1/2"	48 1/2"	14"	50 7/8"
2 x 2	24 1/2"	24 1/2"	26"	26 7/8"
2 x 4	24 1/2"	48 1/2"	26"	50 7/8"

Top View

Fixture Example

