



DFLOOD-LED

Flood Light LED

Client: _____ Order #: _____
Project Name: _____ Type: _____ Qty: _____

Performance Data

CRI

84 with R9 value of 22

CCT

5000K

Projected Lifetime

L70 - 128,000 Hrs;
L80 - 71,000 Hrs

Dimming

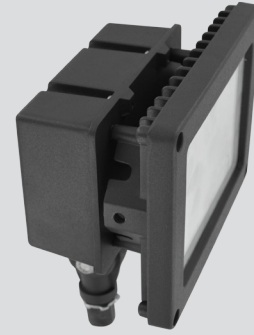
0-10V dimming standard,
100% down to 10%

Operating Temperature

-30°C to +50°C Ambient

CSA Listed

Suitable for dry, damp, wet
locations

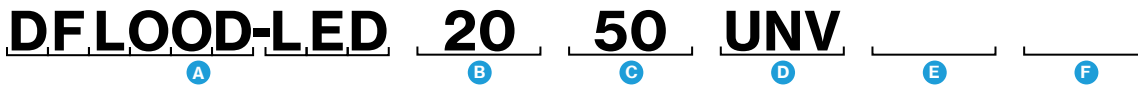


Description

This compact but powerful flood light is a true innovation combining practicality and aesthetics. With highly efficient LED engine and precise optical control, greater lighting performance adds the value to its exterior appearance. These LED lights have transformed the landscape lighting environment. Utilizing performance optics and long lasting driver, these landscape lights will last for years to come.

Features

- System Wattage: 21 watts
- Solid construction die-cast aluminum body.
- Integral glare shield and tempered glass.
- Power Factor: >0.95; THD: <10%
- UV stabilized powder coated finish.
- NEMA 7H x 6V; Beam Angle 115°H x 100°V



Ordering Information

A FIXTURE SERIES	DFLOOD-LED	Flood Light LED
B WATTAGE/LUMENS	20	20W/2325 ¹
C CCT	50	5000K
D VOLTAGE	UNV	120-277V
E FINISH	BZ	Bronze ²
	BL	Black
	SL	Sliver
	CU	Custom ³

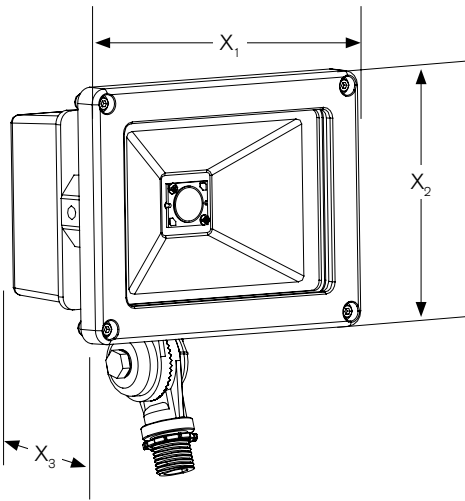
F OPTION	GST	Ground Stake Top Fitter
	PC	Photocell

¹ Delivered Lumens (5000K)

² Standard Paint Finish

³ Contact factory for custom finish

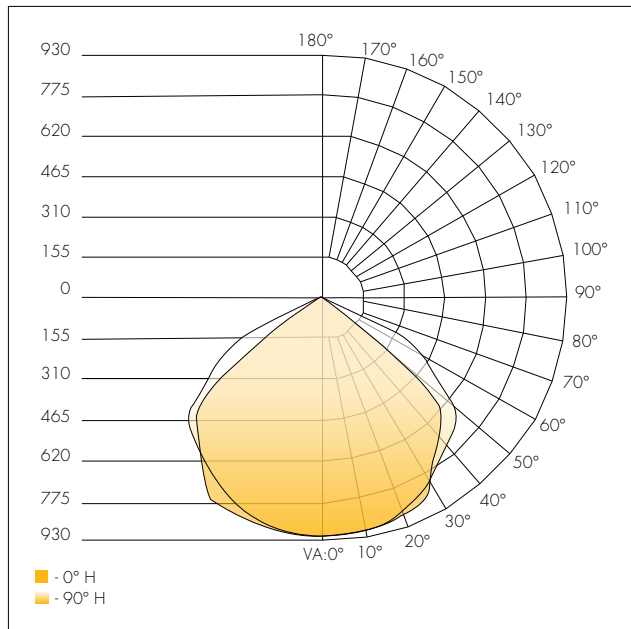
Dimensions



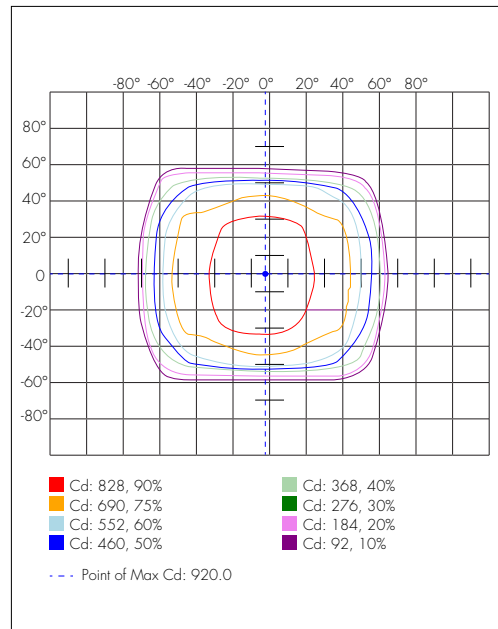
	Inches
X_1	6.75
X_2	5.25
X_3	4.375

Photometrics (Open Guard)

Model 20W 5000K



Isofootcandle



Flood Summary

	Efficiency	Lumens	Horizontal Spread	Vertical Spread
Field (10%)	97.4%	2,264.5	133.9	113.5
Beam (50%)	88.2%	2,049.9	117.9	101.4
Total:	99.9%	2,321.9		

Ground Stake Option

