



DHBX-LED

Industrial LED High Bay

Client: _____
Project Name: _____

Order #: _____
Type: _____ Qty: _____

Performance Data

CRI
70+

CCT
3000K, 3500K, 4000K, 5000K

Projected Lifetime

L80 - 154,000 Hrs;
L90 - 75,000 Hrs

Dimming

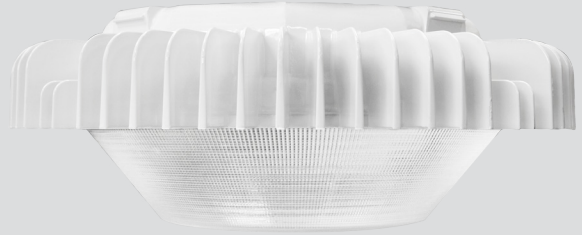
Available with 0-10V inputs
dimming down to 10%

Operating Temperature

-40°C to +55°C Ambient

UL Listed

Suitable for dry, damp, wet
locations



Description

The first of its kind, the Deco LED High Bay luminaire was designed specifically to replace conventional lighting in a wide variety of industrial applications, both indoor and outdoor. Its low profile, light weight design and versatile mounting options make it ideal for many applications such as high bay lighting, warehouses, factories, cold storage, restricted access areas, service areas and other applications with mounting heights greater than 14 ft.

Features

Housing:

- The die-cast aluminum housing is designed to provide a separate compartment to keep the drivers and LEDs isolated. The fixture is available with various lenses to achieve different light patterns. The housing has 4 conduit fittings on the periphery, and has multiple mounting options. The finned housing serves as a highly efficient heat sink with over 500 sq. in. of surface area, maximizing heat dissipation outside of the fixture. This one-piece design can effectively dissipate

up to 320W in a 55°C ambient temperature (65°C with back box option). The cast aluminum heat sink is powder coated for long life outdoor applications. A specular reflector disc separates the lamp cavity from the driver cavity and helps control beam shape. The refractor is assembled to the housing with shoulder screws which compress a rubber gasket.

- For more features see page 2

DHBX-LED

A

B

C

D

E

F

G

Ordering Information

A FIXTURE SERIES

DHBX-LED Industrial LED High Bay

B WATTAGE/LUMENS

60	60W/6136 ³
80	80W/9256 ³
120	120W/11441 ³
160	160W/17238 ³
240	240W/21902 ³
320	320W/33800 ³

C CCT

30	3000K
35	3500K
40	4000K
50	5000K

D LENS TYPE

PR	Prismatic Acrylic
PC	Polycarbonate

E VOLTAGE

UNV	120-277V
347	347V
480	480V (Step-Down Transformer used for 480V Divider)

F FINISH

BZ	Bronze
BL	Black
WH	White ¹
CU	Custom ²

G OPTION

SM	Surface Mount ⁴
CSC	Control Scope Connected
MS	Motion Sensor
YM	U-Bracket ^{4,6}
CP	Center Pole ⁴
BB	Back Box ⁵
GH	Grapple Hook ⁷
DM	Dimming (0-10V)

¹ Standard for fixture

² Contact factory for custom finish options

³ Delivered Lumens (5000K with PR lens, see lumen chart on Page 2)

⁴ IP66 Rated

⁵ For higher ambient temperatures up to 65°C (149°F)

⁶ Only available for 240W and 320W

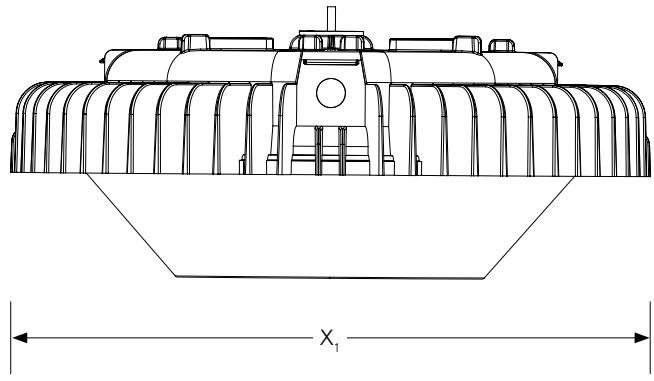
⁷ Unless another mounting option is selected, this is the standard mount

Features (continued)

Available Lenses:

- Prismatic lens minimizes LED pixilation and provides excellent light distribution. Polycarbonate lens also available for increased diffusion.
- Compliance: UL8750 & UL1598/1598B
- The DHBX family of gasketed highbays are designed to protect LED lighting in harsh environments. These units seal out dust & moisture from the electrical components in a wide range of applications.
 - Food processing facilities
 - Industrial facilities
 - Parking Garage
 - Laundries
 - Commercial kitchen
 - Breweries
 - Livestock Containment buildings
 - Under Awnings
 - Road Tunnels
 - Car Washes

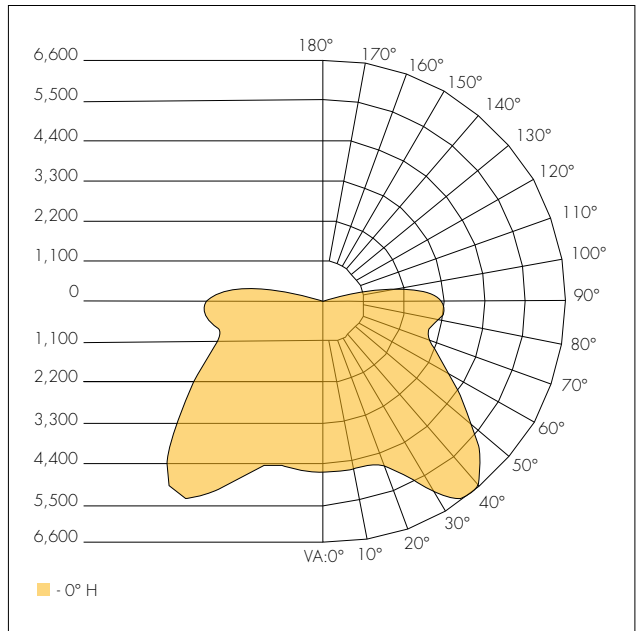
Dimensions



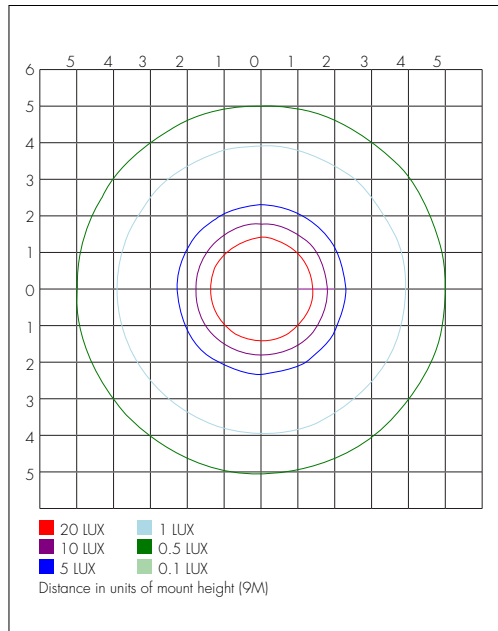
	Inches
X₁	19.90
X₂	15.20

Photometrics

Model 320W 5000K PR lens



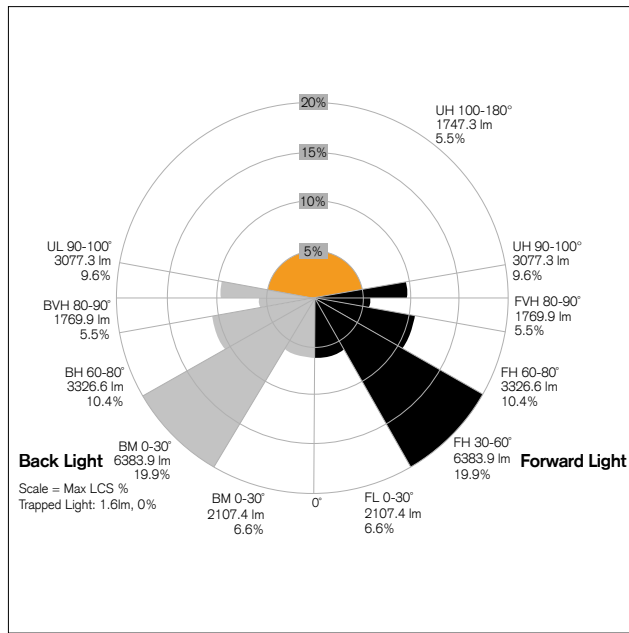
Isolux Plot



Zonal Lumen Summary

Zone	Lumens	% Luminaire
0-30	4,217.3	13.2%
0-40	8,246.1	25.8%
0-60	16,982.4	53.1%
60-90	10,192.7	31.9%
70-100	9,800.2	30.6%
90-120	4,682.2	14.6%
0-90	27,175.1	84.9%
90-180	4,826.7	15.1%
0-180	32,001.8	100%

LCS Graph



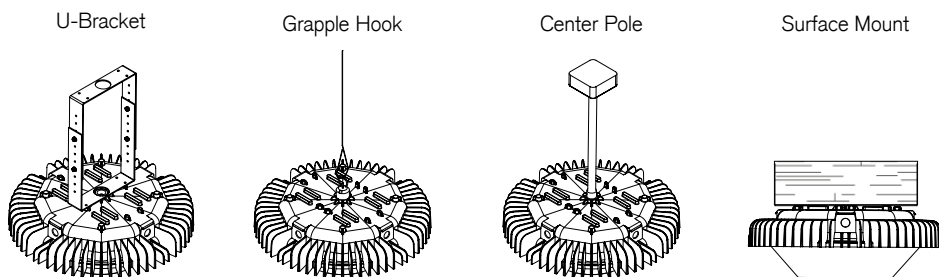
Lumen Output

Lumen Chart (Prismatic Acrylic (PR) Lens)

Model Number	System Wattage	5000W	lm/W	4000K	lm/W	3500K	lm/W	3000K	lm/W
DHBX-LED-60-XX-PR-UNV	59	6136	104	6013	102	5713	97	5313	90
DHBX-LED-80-XX-PR-UNV	89	9256	104	9071	102	8617	97	8014	90
DHBX-LED-120-XX-PR-UNV	112	11441	102	11212	100	10651	95	9906	89
DHBX-LED-160-XX-PR-UNV	169	17238	102	16893	100	16049	95	14925	88
DHBX-LED-240-XX-PR-UNV	220	21902	100	21464	98	20391	93	18963	86
DHBX-LED-320-XX-PR-UNV	338	33800	100	33124	98	31468	93	29265	87

*To calculate lumen output for Polycarbonate (PC) lens, multiply above lumen outputs by 0.90

Mounting Options



Step Dimming & Bi-Level

FSP-211

The FSP-211 mounts in an outdoor lighting fixture and provides multi-level control based on motion. The sensor also includes a photocell to measure the ambient light level. It controls 0-10 VDC LED drivers or dimming ballasts, as well as non-dimming ballasts and, with an SFP-LX Lens, is rated for wet and cold locations. All control parameters are adjustable via a wireless configuration tool capable of storing and transmitting sensor profiles.

Key Factors

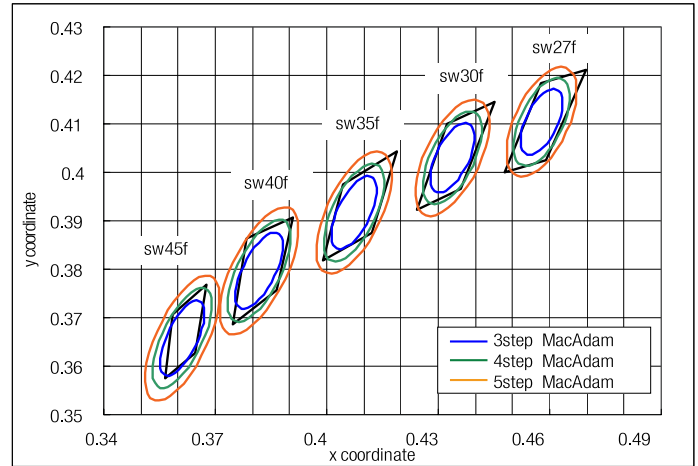
- Fully adjustable high and low dimmed light levels.
- Designed for LED fixtures; rated for extreme temperatures and up to 200,000 on/off cycles
- Hold off setpoint with automatic calibration option for convenience and added energy savings
- Adjustable via handheld wireless configuration tool
- IP66 rated with choice of lenses for wet and outdoor locations, and mounting heights from 8' to 40'
- Adjustable time delay and cut off delay



MacAdam Ellipse

A MacAdam ellipse is a region on a chromaticity diagram which contains all colors which are indistinguishable, to the average human eye, from the color at the center of the ellipse. This measure helps to establish the variability in color a light source can exhibit before a general observer will notice the shift in color. Each standard deviation out from the target center is referred to as a MacAdam step, with ANSI recommending that lamp manufacturers stay within a "4-step" ellipse. This 4-step MacAdam minimum requirement means that lamp manufacturers are given a great deal of allowance regarding the perceptible differences in color properties of their fixtures versus what they advertise.

Deco Lighting uses only the finest LEDs made by Nichia, the world's largest LED manufacturer. The Nichia LED is considered the Rolls Royce of LEDs. Featuring a 3-step MacAdam ellipse, the tightest binning in the industry, Nichia LEDs are held to a higher standard than minimum industry requirement and don't color-shift like fixtures utilizing lower quality LEDs.



sw27f

X	Y
0.4478	0.3999
0.4576	0.4183
0.4698	0.4212
0.4591	0.4025

sw30f

X	Y
0.4244	0.3923
0.4325	0.4101
0.4452	0.4146
0.4362	0.3965

sw35f

X	Y
0.3989	0.3819
0.4045	0.3975
0.4452	0.4044
0.4362	0.3875

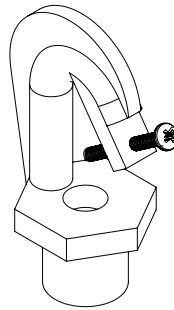
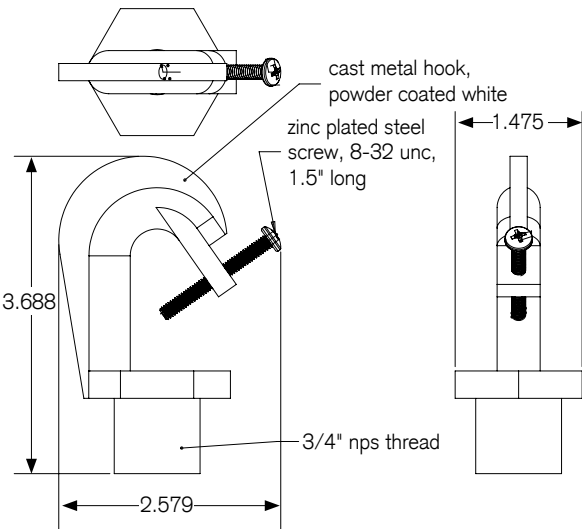
sw40f

X	Y
0.3746	0.3687
0.3783	0.3836
0.3909	0.3906
0.3864	0.3757

sw45f

X	Y
0.3565	0.3576
0.3585	0.3706
0.3675	0.3769
0.3646	0.3627

Grapple Hook



Physical Characteristics:

- Die cast zinc hook body
- 3/4" NPS Male Thread
- Finish: Powder coat white or unfinished.
- Maximum load. 200 lbs.

Bottom View

