



### IMPORTANT SAFETY INSTRUCTIONS

- To reduce the risk of death, personal injury or property damage from fire, electric shock, falling parts, cuts/abrasions, and other hazards please read all warnings and instructions included with and on the fixture box and all fixture labels.
- Before installing, servicing, or performing routine maintenance upon this equipment, follow these general precautions.
- Installation and service of luminaires should be performed by a qualified licensed electrician.
- Maintenance of the luminaires should be performed by person(s) familiar with the luminaires' construction and operation and any hazards involved. Regular fixture maintenance programs are recommended.
- It will occasionally be necessary to clean the outside of the refractor/lens. Frequency of cleaning will depend on ambient dirt level and minimum light output which is acceptable to user. Refractor/lens should be washed in a solution of warm water and any mild, non-abrasive household detergent, rinsed with clean water and wiped dry. Should optical assembly become dirty on the inside, wipe refractor/lens and clean in above manner, replacing damaged gaskets as necessary.
- DO NOT INSTALL DAMAGED PRODUCT! This luminaire has been properly packed so that no parts should have been damaged during transit. Inspect to confirm. Any part damaged or broken during or after assembly should be replaced.
- Recycle: For information on how to recycle LED electronic products, please visit [www.epa.gov](http://www.epa.gov).
- These instructions do not purport to cover all details or variations in equipment nor to provide every possible contingency to meet in connection with installation, operation, or maintenance. Should further information be desired or should particular problems arise which are not covered sufficiently for the purchaser's or owner's purposes, this matter should be referred to Deco Lighting.



#### WARNING RISK OF ELECTRICAL SHOCK

- Disconnect or turn off power before installation or servicing.
- Verify that supply voltage is correct by comparing it with the luminaire label information.
- Make all electrical and grounded connections in accordance with the National Electrical Code (NEC) and any applicable local code requirements.
- All wiring connections should be capped with UL approved recognized wire connectors.



#### WARNING RISK OF RISK OF BURN

- Allow lamp/fixture to cool before handling. Do not touch enclosure or light source.
- Do not exceed maximum wattage marked on luminaire label.
- Follow all manufacturer's warnings, recommendations and restrictions for: driver type, burning position, mounting locations/methods, replacement and recycling.



#### CAUTION RISK OF INJURY

- Wear gloves and safety glasses at all times when removing luminaire from carton, installing, servicing or performing maintenance.
- Avoid direct eye exposure to the light source while it is on.



#### CAUTION RISK OF FIRE

- Keep combustible and other materials that can burn, away from lamp/lens.
- Do not operate in close proximity to persons, combustible materials or substances affected by heat or drying.



### CAUTION RISK OF INJURY

- Never connect components under load.
- Do not mount or support these fixtures in a manner that can cut the outer jacket or damage wire insulation.
- Unless individual product specifications deem otherwise: Never connect an LED product directly to a dimmer packs, occupancy sensors, timing devices, or other related control devices. LED fixtures must be powered directly off a switched circuit.
- Unless individual product specifications deem otherwise: Do not restrict fixture ventilation. Allow for some volume of airspace around fixture. Avoid covering LED fixtures with insulation, foam, or other material that will prevent convection or conduction cooling.
- Unless individual product specifications deem otherwise: Do not exceed fixtures maximum ambient temperature.
- Only use fixture in its intended location.
- LED products are Polarity Sensitive. Ensure proper Polarity before installation.
- Electrostatic Discharge (ESD): ESD can damage LED fixtures. Personal grounding equipment must be worn during all installation or servicing of the unit.
- Do not touch individual electrical components as this can cause ESD, shorten lamp life, or alter performance.
- Some components inside the fixture may not be serviceable. In the unlikely event your unit may require service, stop using the unit immediately and contact an Deco Lighting representative for assistance.
- Always read the fixtures complete installation instructions prior to installation for any additional fixture specific warnings.

### Electrical Connection

1. Connect BLACK (line) driver lead to voltage supply Line position (HOT).
2. Connect driver WHITE lead to the NEUTRAL supply position.
3. Connect the GREEN ground lead to the supply ground lead.

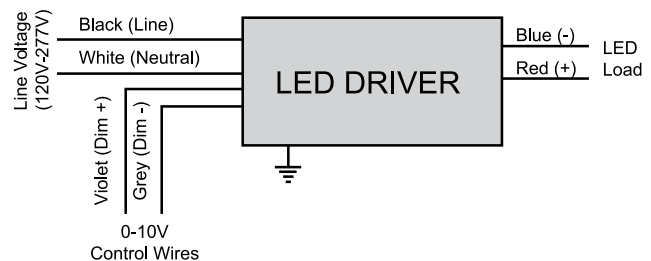
#### If using 0-10V dimming:

4. Connect VIOLET lead to supply POSITIVE dimming lead.
5. Connect GREY lead to the supply NEGATIVE dimming lead.

#### If NOT using 0-10V dimming:

6. Ensure VIOLET and GREY 0-10V dimming leads are properly capped.

### Wiring Diagram



# DHL-LP-LED

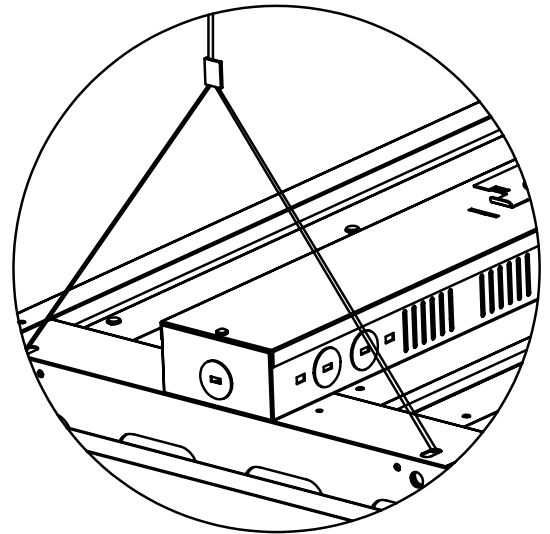
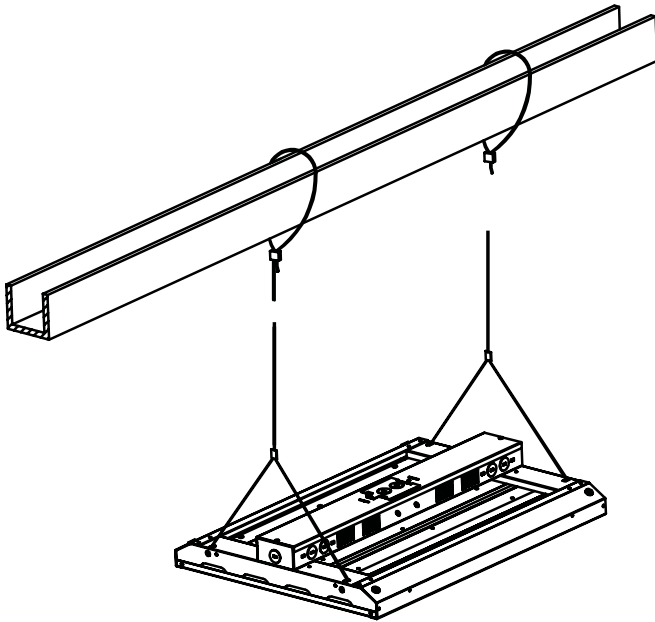
## Low Profile LED Linear High/Low Bay

# Installation Guide



## Cable Kit Installation

1. Feed Aircraft cable into cable crimp.
2. Loop aircraft cable over structural support member (by others).
3. Feed end of cable into the crimp, and adjust to the height desired for the fixture. Tighten crimp and cut excess aircraft cable.
4. Repeat steps 1 and 2. Ensure that the end of the second cable is passed through the crimp a sufficient distance to ensure that it does not slip out accidentally. Do not tighten crimp yet!
5. Hang fixture, supporting the end where the second cable attaches. Ends of cable yoke slip into keyhole slots in housing.
6. Level fixture by pulling on the cable end until level. Tighten the crimp.
7. Make electrical connections, following national and local electrical codes.
8. Fixture can now be energized.



Deco Lighting practices a program of continuous product improvement, and as a result product specifications change frequently. We reserve the right to change product specifications without notice. Contact Deco for the latest product information.

# DHL-LP-LED

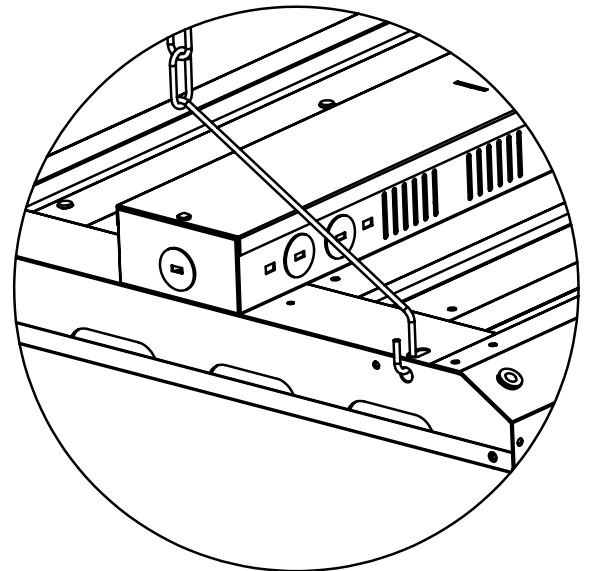
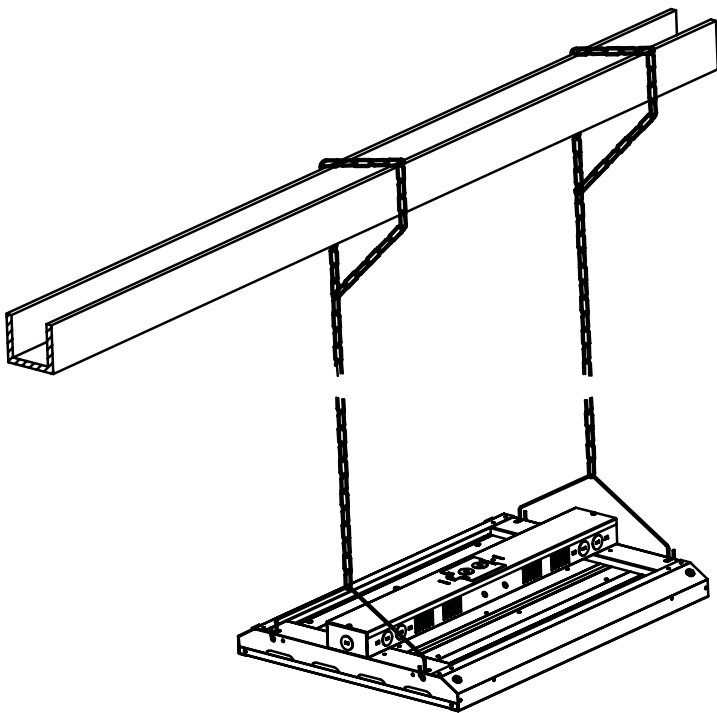
## Low Profile LED Linear High/Low Bay

# Installation Guide



## Chain Kit Installation

1. Wrap first chain over structural member (by others).
2. Adjust to desired height, then hook end into the chain to secure the chain.
3. Repeat for second chain.
4. Hang the fixture by inserting hooks into holes in the ends of the fixture.
5. Adjust the chains so that the fixture hangs level by adjusting the hook at the top.
6. Make electrical connections, following national and local electrical codes.
7. Fixture can now be energized.

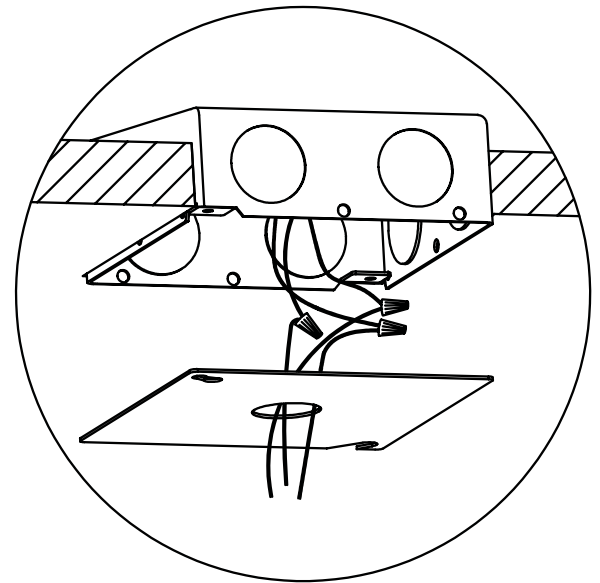
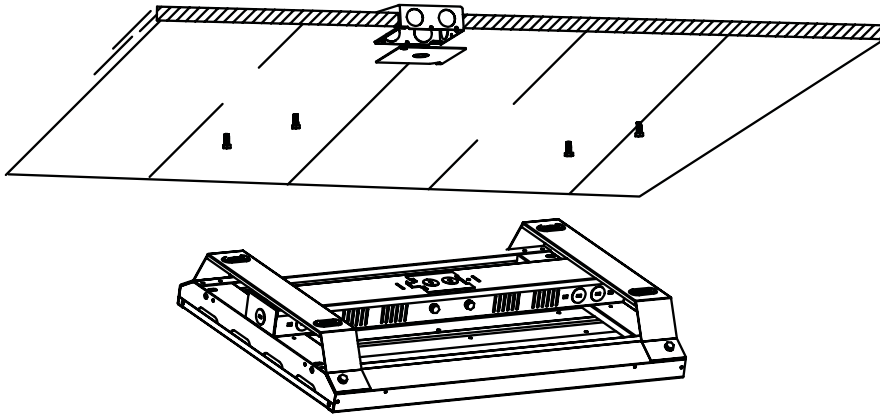


Deco Lighting practices a program of continuous product improvement, and as a result product specifications change frequently. We reserve the right to change product specifications without notice. Contact Deco for the latest product information.



## Surface Mount Installation

1. Install junction box (by others) into ceiling. Provide power to junction box.
2. Measure holes on mounting brackets of fixture, and install anchors (by others) in ceiling centered on the junction box at the appropriate distance.
3. Insert screws (by others) into anchors but do not tighten completely.
4. Feed wires through j box cover (by others). Make electrical connections. Close j box cover.
5. Install fixture by slipping keyhole slots in the brackets over the screws installed in the ceiling. Tighten screws until fixture is secure.
6. Fixture can now be energized.



# DHL-LP-LED

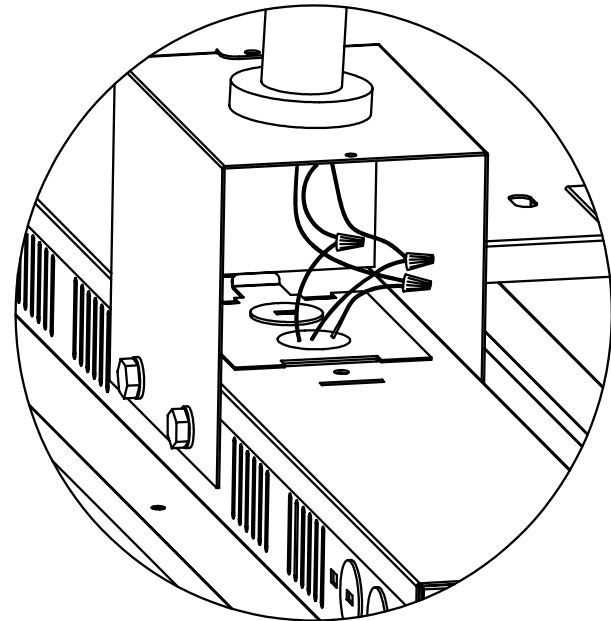
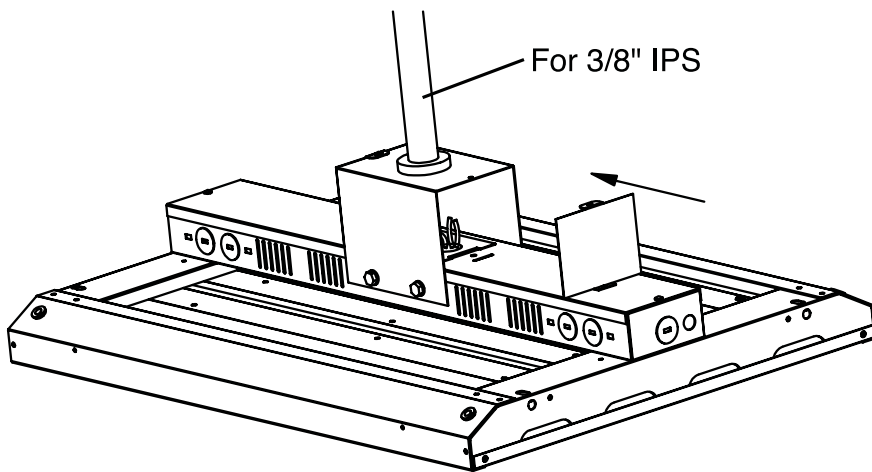
## Low Profile LED Linear High/Low Bay

# Installation Guide



## Stem Mount Installation

1. Install junction box (by others) in ceiling. Provide power to junction box.
2. Install cross bracket (by others) on junction box.
3. Attach wires (hot, neutral, and ground, by others) to junction box wiring and feed through 3/8" IPS stem. Ensure that wires are sufficiently long to make electrical connections to fixture.
4. Install stem into cross bracket.
5. Remove cover on box on the top of the fixture.
6. Install fixture by tightening fixture onto stem.
7. Make electrical connections to fixture. Reattach box cover.
8. Fixture can now be energized.



Deco Lighting practices a program of continuous product improvement, and as a result product specifications change frequently. We reserve the right to change product specifications without notice. Contact Deco for the latest product information.