



DLED-SR5

5" COB LED Surface Cylinders

Client: _____ Order #: _____
 Project Name: _____ Type: _____ Qty: _____



Performance Data

CRI
80+

CCT
3000K, 3500K, 4000K

Projected Lifetime
218,000 Hours (L70),
131,000 Hours (L80)

Dimming
Available with 0-10V inputs
dimming down to 10%

Operating Temperature
-20°C to +50°C Ambient

CSA Listed
Suitable for dry, damp, wet
locations



Description

The DLED-SR5 is a 5" LED cylinder luminaire available in a ceiling, wall mount, or pendant style. The DLED-SR series features high efficacy chip-on-board LED modules paired with Triac 120V or 0-10V dimming drivers. Utilizing a precision-designed optical diffuser, the SR5 delivers high lumen output while maintaining a soft, well-dispersed spread ideal for today's interior spaces.

Features

- Durable aluminum extrusion heat sink intergrated with COB(chip on board).
- Inner reflector provide more light and beam distribution.
- Anodized haze clear, gold, champagne, pewter color finished full reflectors.
- Also available anodized reflectors with black.
- Round seamless .060 thick spun aluminum, housing available in semi-matte white, black or silver finish.
- Aluminum extruded Heat sink designed to facilitate heat dissipation to reduce LED junction temperature for maintaining constant light output, color and life of solid state components.
- Driver feature power factor >.90, THD >20% and has integral thermal protection to sense over temperature or internal failure.
- Driver mounts externally to the module, allowing future replacement, if needed.
- Consult with factory for optional 0~10V analog dimmable driver.
- Aluminum casted bracket secured to housing cross-bar by set screws.
- 50,000 hr of lamp life.

DLED-SR5

A

B

C

D

E

UNV

F

G

H

I

Ordering Information

A FIXTURE SERIES

DLED-SR5 5" COB LED
Surface Cylinders

B MOUNTING

C Ceiling Mount
W Wall Mount
P Pendant Mount

C PENDANT STEM LENGTH

12 12"
18 18"
24 24"
36 36"
48 48"

D WATTAGE/LUMENS

14 14W/1000
23 23W/1800

E CCT

30 3000K
35 3500K
40 4000K

F VOLTAGE

UNV 120-277V¹

G FINISH

WH White
BK Black
BZ Bronze
SL Silver

H TRIM

See Page 2

I OPTIONS

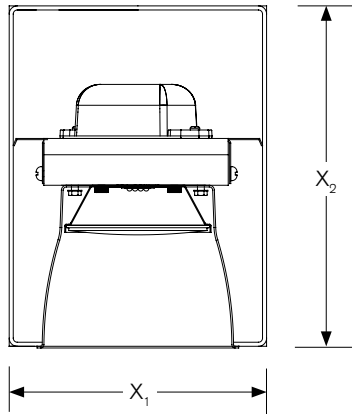
DM Dimmable²
EM Emergency³

¹ Triac 120V low voltage electronic dimmer switches

² 0-10V dimmer switches

³ Consult Factory

Dimensions



	Inches
X ₁	6.00
X ₂	7.875

Photometrics

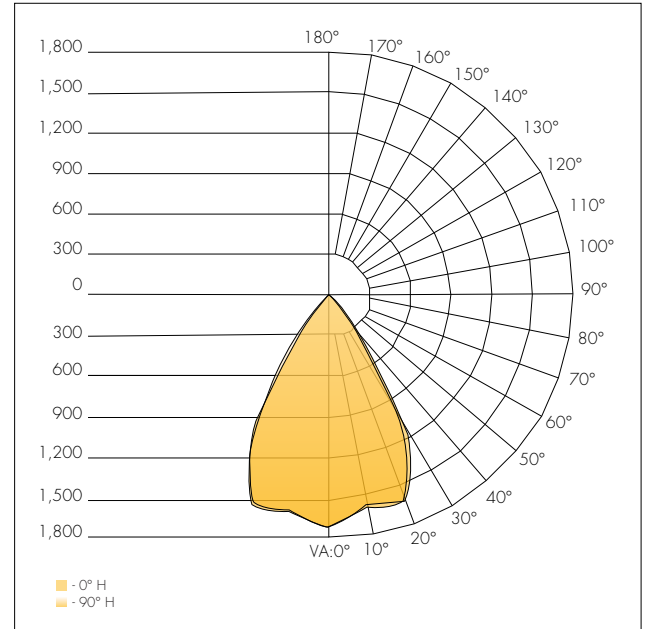
Coefficients of Utilization - Zonal Cavity Method
Effective Floor Cavity Reflectance: 20%

RCC %:	80				70				50				30				10				0
RW %:	70	50	30	0	70	50	30	0	50	30	20	0	50	30	20	0	50	30	20	0	0
RCR: 0	1.19	1.19	1.19	1.19	1.16	1.16	1.16	1.00	1.11	1.11	1.11	1.06	1.06	1.06	1.06	1.02	1.02	1.02	1.02	1.00	1.00
1	1.13	1.11	1.08	1.06	1.11	1.08	1.06	.94	1.04	1.03	1.01	1.01	.99	.98	.97	.96	.95	.95	.95	.93	.93
2	1.08	1.03	.99	.95	1.06	1.01	.97	.87	.98	.95	.92	.95	.92	.90	.92	.90	.88	.88	.88	.87	.87
3	1.02	.96	.91	.87	1.00	.94	.90	.81	.92	.88	.85	.89	.86	.83	.87	.84	.82	.82	.82	.80	.80
4	.97	.89	.84	.80	.95	.88	.83	.76	.86	.82	.78	.84	.80	.77	.82	.79	.76	.76	.76	.75	.75
5	.92	.84	.78	.73	.90	.83	.77	.71	.81	.76	.72	.79	.75	.72	.78	.74	.71	.71	.71	.70	.70
6	.87	.78	.72	.68	.86	.78	.72	.66	.76	.71	.67	.75	.70	.67	.73	.69	.66	.66	.66	.65	.65
7	.83	.74	.67	.63	.82	.73	.67	.62	.72	.66	.63	.70	.66	.62	.69	.65	.62	.62	.62	.61	.61
8	.79	.69	.63	.59	.78	.69	.63	.58	.67	.62	.59	.66	.62	.58	.65	.61	.58	.58	.58	.57	.57
9	.75	.65	.59	.55	.74	.65	.59	.54	.64	.59	.55	.63	.58	.55	.62	.58	.54	.54	.54	.53	.53
10	.71	.62	.56	.52	.70	.61	.55	.51	.60	.55	.52	.59	.55	.51	.59	.54	.51	.51	.51	.50	.50

Zonal Lumen Summary

Zone	Lumens	%Luminaire
0-30	1,255.2	72.1%
0-40	1,617.6	92.9%
0-60	1,729.2	99.3%
60-90	11.9	0.7%
0-90	1,741.2	100%

Model 23W 4000K



Trims

DLEDT-R54

Specular Open Reflector



DLEDT-R514

Baffle w/ Reflector



All trims are rated for damp location and regressed lens trims are wet location listed.