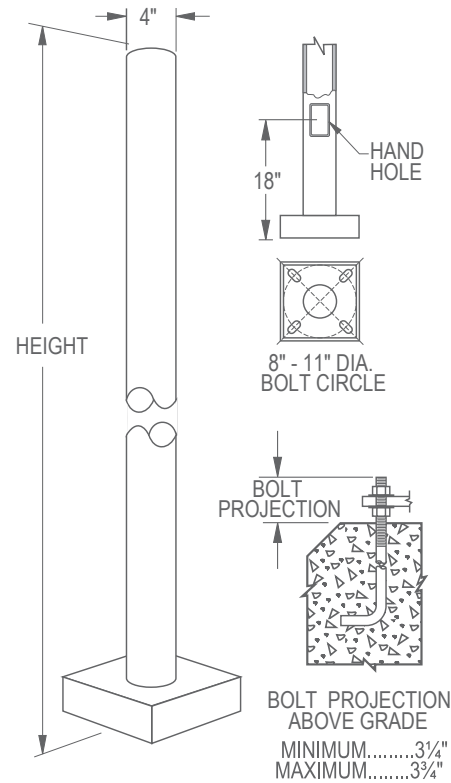
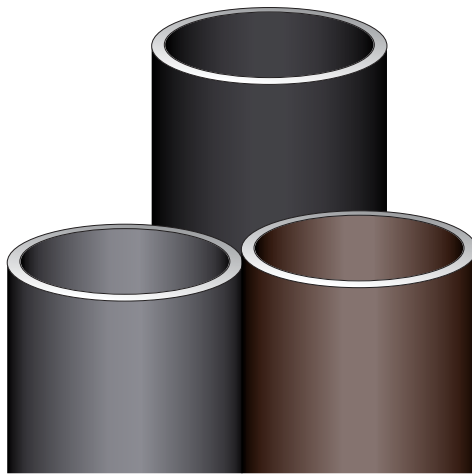


DP4R

4" Round Pole

Job Information

Type:	
Catalog #:	
Project:	
Comments:	
Prepared by:	



Ordering Information

Example: (DP4R-S-10-TN238-DM2180-WH-GLV-RBC)

DP4R														
Series	Size	Pole / Bolt Circle / Anchorage		Mounting	Drill Mount		Finish	Finish Options		Option				
4" Round Pole	A Aluminum	8	08' (.125) / 10 1/4" BC / 3/4" x 18" x 3"		TN238	2 3/8" x 4" Tenon		BZ	Bronze	GLV	Galvanized	DUP	Duplex Receptacle	
		10	10' (.125) / 10 1/4" BC / 3/4" x 18" x 3"		TN278	2 7/8" x 4" Tenon		BL	Black	PDR	Thermoset	GFI	GFI Receptacle	
		12	12' (.125) / 10 1/4" BC / 3/4" x 18" x 3"		OT	Other Tenon Mt		WH	White		Polyester	T3120	3 Way Adapter	
		14	14' (.125) / 10 1/4" BC / 3/4" x 18" x 3"					GY	Grey		Powder	T490	4 Way Adapter	
	S Steel	10	10' (11 ga.) / 9" BC / 3/4" x 18" x 3"					GR	Green				RBC	Round Base Cover
		12	12' (11 ga.) / 9" BC / 3/4" x 18" x 3"					CU	Custom Paint				CPL12	1/2" Coupling ³
		14	14' (11 ga.) / 9" BC / 3/4" x 18" x 3"						(Consult Factory)				CPL34	3/4" Coupling ³
		16	16' (11 ga.) / 9" BC / 3/4" x 18" x 3"										CPL2	2" Coupling ³
		18	18' (11 ga.) / 9" BC / 3/4" x 24" x 3"											
		2011	20' (11 ga.) / 10" BC / 3/4" x 24" x 3"											
		207	20' (07 ga.) / 10" BC / 3/4" x 30" x 3"											
		24	24' (07 ga.) / 11" BC / 3/4" x 30" x 3"											

¹DM290, DM390, DM490 require TN278 and T490 adapter

²DM3120 requires TN278 and T3120 adapter

³Specify coupling location



Features

- 4" diameter
- Shaft conforms to ASTM-A-501-68 specifications
- Shaft meets or exceeds minimum yield strength of 46,000 p.s.i., base meets or exceeds minimum yield strength of 36,000 p.s.i.
- Steel wall thickness 11 ga. (.120 wall) or 7 ga. (.180 wall); aluminum wall thickness is .125 wall.
- Reinforced hand hole is furnished with cover, shaft is furnished with ground lug located inside pole on wall opposite hand hole.
- Base telescopes and is circumferentially welded to pole shaft.
- Slotted bolt holes provide 1" flexibility on either side of bolt circle centerline.
- (4) anchor bolts fabricated from hot rolled steel bar, minimum yield strength of 50,000 p.s.i.
- Bolts are fully galvanized and are furnished with two nuts and two washers.
- Polyester powder coat

Engineering Data

Maximum EPA - Square Feet

Catalog Number	Maximum Fixt. wgt.	150 MPH	100 MPH	90 MPH	80 MPH	70 MPH
DP4R-S-10	225	2.05	12.0	14.7	17.8	20.9
DP4R-S-12	165		9.3	11.7	14.5	17.2
DP4R-S-14	135		7.5	9.0	10.8	11.9
DP4R-S-16	110		5.8	7.2	9.3	11.2
DP4R-S-18	100		4.6	5.8	7.5	9.0
DP4R-S-2011	100		3.6	4.4	6.0	7.2
DP4R-S-207	135		6.8	10.2	14.8	18.6
DP4R-S-24	110		3.2	5.8	8.9	13.1
DP4R-A-8	100		6.9	8.7	11.4	15.2
DP4R-A-10	100		4.7	6.0	8.0	10.9
DP4R-A-12	100		3.3	4.4	6.0	8.5
DP4R-A-24	100		2.2	3.1	4.5	6.6

All above design calculations are based on sustained wind forces plus additional 1.3 wind gust(Example: Pole rated at 80 MPH withstands 104 MPH gusts)