



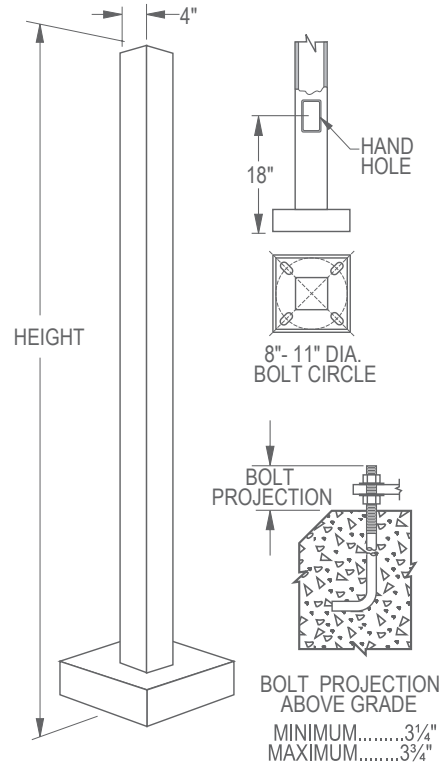
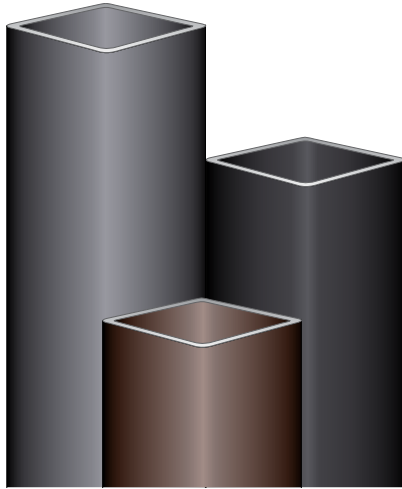
DECO® LIGHTING

DP4S

4" Square Pole

Job Information

Type:	
Catalog #:	
Project:	
Comments:	
Prepared by:	



Ordering Information

Example: (DP4S-S-15-TN238-DM290-BZ-GLV-T3120)

DP4S														
Series	Size	Pole / Bolt Circle / Anchorage		Mounting		Drill Mount		Finish		Finish Options		Option		
4" Square Steel Pole	A Aluminum	10125	10' (.125) / 10 1/2" BC / 3/4" x 18" x 3"	TN238	2 3/8" X 4" Tenon	DM1	Drill Mount	BZ	Bronze	GLV	Galvanized	DUP	Duplex Receptacle	
		12125	12' (.125) / 10 1/2" BC / 3/4" x 18" x 3"	TN278	2 7/8" X 4" Tenon	DM2180	Drill Mount	BL	Black	PDR	Thermoset	GFI	GFI Receptacle	
		14125	14' (.125) / 10 1/2" BC / 3/4" x 18" x 3"	OT	Other Tenon Mt. _	DM180	Drill Mount	WH	White		Polyester Powder	T3120	3 Way Adapter	
		16125	16' (.125) / 10 1/2" BC / 3/4" x 18" x 3"			DM290	Drill Mount ¹	GY	Grey			T490	4 Way Adapter	
		16188	16' (.188) / 10 1/2" BC / 3/4" x 18" x 3"			DM390	Drill Mount ¹	GR	Green			RBC	Round Base Cover	
		18125	18' (.125) / 10 1/2" BC / 3/4" x 18" x 3"			DM490	Drill Mount ¹	CU	Custom Paint (Consult Factory)			CPL12	1/2" Coupling ³	
	18188	18' (.188) / 10 1/2" BC / 3/4" x 18" x 3"			DM3120	Drill Mount ²					CPL34	3/4" Coupling ³		
	20188	20' (.188) / 10 1/2" BC / 3/4" x 18" x 3"									CPL2	2" Coupling ³		
	S Steel	10	10' (11 ga.) / 9" BC / 3/4" x 18" x 3"											
		12	12' (11 ga.) / 9" BC / 3/4" x 18" x 3"											
14		14' (11 ga.) / 9" BC / 3/4" x 18" x 3"												
15		15' (11 ga.) / 9" BC / 3/4" x 18" x 3"												
16		16' (11 ga.) / 9" BC / 3/4" x 18" x 3"												
18		18' (11 ga.) / 9" BC / 3/4" x 18" x 3"												
2011		20' (11 ga.) / 10" BC / 3/4" x 24" x 3"												
207		20' (7 ga.) / 11" BC / 3/4" x 30" x 3"												
2511	25' (11 ga.) / 11" BC / 3/4" x 24" x 3"													
257	25' (7 ga.) / 11" BC / 3/4" x 30" x 3"													

¹DM290, DM390, DM490 require TN278 and T490 adapter

²DM3120 requires TN278 and T3120 adapter

³Specify coupling location

Deco Lighting practices a program of continuous product development, and as a result product specifications change frequently. We reserve the right to change product specifications without notice. Contact Deco for the latest product information.

©2018 Deco Lighting, www.getdeco.com T: (800) 613-DECO F: (310) 366-6855 Rev Date: 03/19/18 #2



Features

- 4" square
- Shaft conforms to ATSM-A-501-68 specifications
- Shaft meets or exceeds minimum yield strength of 46,000 p.s.i. base meets or exceeds minimum yield strength of 36,000 p.s.i.
- Steel wall thickness 11 ga. (.120 wall) or 7 ga. (.180 wall); aluminum wall thickness is .125 or .188 wall.
- Reinforced hand hole is furnished with cover, shaft is furnished with ground lug located inside pole on wall opposite hand hole
- Base telescopes and is circumferentially welded to pole shaft
- Slotted bolt holes provide 1" flexibility on either side of bolt circle centerline
- (4) anchor bolts fabricated from hot rolled steel bar, minimum yield strength of 50,000 p.s.i.
- Bolts have "I" bend on one end and are threaded on the other end.
- Bolts are fully galvanized and are furnished with two nuts and two washers
- Polyester powder coat

Engineering Data

Maximum EPA - Square Feet

Catalog Number	Maximum Fixt. wgt.	100 MPH	90 MPH	80 MPH	70 MPH
DP4S-S-10	400	16.7	20.5	26.1	33.4
DP4S-S-12	400	12.2	16.1	20.4	25.8
DP4S-S-14	400	9.9	12.8	16.1	20.2
DP4S-S-15	400	8.9	11.4	14.4	17.9
DP4S-S-16	400	7.9	10.1	12.8	15.9
DP4S-S-18	400	6.2	8.2	10.1	13.8
DP4S-S-2011	400	4.8	6.2	7.9	11.6
DP4S-S-207	450	8.8	11.3	14.0	17.4
DP4S-S-2511	350	1.6	3.2	5.5	8.8
DP4S-S-257	450	4.3	6.1	9.1	11.2
DP4S-A-8	100	12.2	15.7	20.5	27.4
DP4S-A-10	100	8.2	11.1	14.6	20.4
DP4S-A-12	100	5.4	7.5	10.5	14.9
DP4S-A-14	100	3.3	5.0	7.5	11.2
DP4S-A-16125	100	1.8	3.2	5.2	8.2
DP4S-A-16188	200	4.4	6.6	9.4	13.7
DP4S-A-18125	100	n/a	1.7	3.5	6.2
DP4S-A-18188	125	2.9	4.7	7.1	11.0
DP4S-A-20188	125	1.4	2.9	5.1	8.3

All above design calculations are based on sustained wind forces plus additional 1.3 wind gust (Example: Pole rated at 80 MPH withstands 104 MPH gusts)