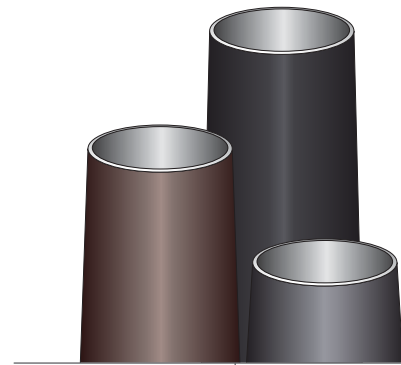


model
DRTS

Features

- One or two piece construction fabricated from coil stock; wall thickness of 11ga or 7ga
- Weldable, hot rolled, commercial quality carbon steel with a minimum yield strength of 55,000 PSI
- Shaft has uniform taper of approx. .14' per foot.
- Base plate meets or exceeds minimum yield strength of 36,000 PSI
- Base telescopes and is circumferentially welded to pole shaft
- Slotted bolt holes provide 1" flexibility on either side of bolt circle centerline
- (4) anchor bolts fabricated from hot rolled steel bar with a minimum yield strength of 50,000PSI
- Bolts have L bend on one end and are threaded on the other end
- Bolts are fully galvanized and are furnished with two nuts and washers
- Polyester powdercoat finish
- Surface is pretreated by sand blast for maximum paint adhesion

Round Tapered Steel



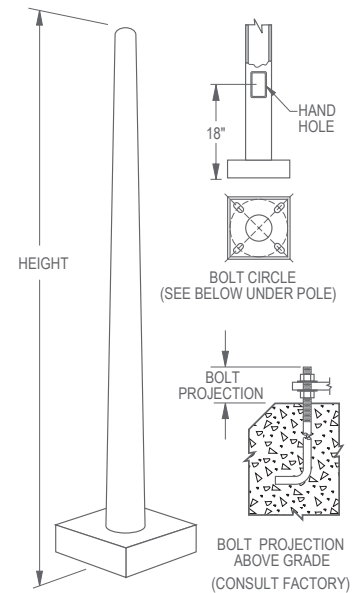
Dimensions

Engineering Data

Maximum EPA - Square Feet

Catalog Number	Maximum Fixt. wgt.	100 MPH	90 MPH	80 MPH	70 MPH
DRTS-20	375	10.7	13.1	17.5	23.2
DRTS-25	325	11.8	14.3	18.7	24.4
DRTS-30	425	10.2	12.5	17.1	22.4
DRTS-35	375	10.1	12.3	17.0	22.2
DRTS-4011	350	8.6	10.8	15.5	20.9
DRTS-407	550	15.6	18.9	24.7	30.6
DRTS-4511	350	8.2	10.6	15.9	21.1
DRTS-457	550	13.2	16.5	21.3	28.1
DRTS-5011	275	6.3	8.5	11.3	15.1
DRTS-507	325	8.3	10.1	12.7	16.6

All above design calculations are based on sustained wind forces plus additional 1.3 wind gust. (Example: Pole rated at 80 MPH withstands 104 MPH gusts)



ORDERING INFORMATION:

Example: (DRTS-20-TN238-DM290-MBZ-GLV-T3120)

DRTS	—	—	—	—	—	—	—	—
Series		Mounting		Finish		Options		
Round Tapered Steel		TN238 - 2 3/8"X4" Tenon TN278 - 2 7/8"X4" Tenon OT - Other Tenon Mt _____		DBZ - Dark Bronze MBZ - Medium Bronze BL - Black WH - White SLV - Silver BA - Bronze Anodized NA - Natural Anodized BA - Black Anodized		DUP - Duplex Receptacle GFI - GFI Receptacle T3120 - 3 Way Adapter T490 - 4 Way Adapter RBC - Round Base Cover CPL12 - 1/2" Coupling ³ CPL34 - 3/4 Coupling ³ CPL2 - 2" Coupling ³		
	Pole / Bolt Circle / Anchorage		Drill Mount		Finish Options			
	20 - 20' (11ga) / 11 1/2" BC / 1"x36"x4" 25 - 25' (11ga) / 11 1/2" BC / 1"x36"x4" 30 - 30' (11ga) / 11 1/2" BC / 1"x36"x4" 35 - 35' (11ga) / 13 1/2" BC / 1"x36"x4" 4011 - 40' (11ga) / 13 1/2" BC / 1"x36"x4" 407 - 40' (7ga) / 13 1/2" BC / 1 1/4"x42"x6" 4511 - 45' (11ga) / 13 1/2" BC / 1 1/4"x42"x6" 457 - 45' (7ga) / 13 1/2" BC / 1 1/4"x42"x6" 5011 - 50' (11ga) / 13 1/2" BC / 1 1/4"x42"x6" 507 - 50' (7ga) / 13 1/2" BC / 1 1/4"x42"x6"		DM1 - Drill Mount ■ DM2180 - Drill Mount ■■ DM290 - Drill Mount ¹ ■ DM390 - Drill Mount ¹ ■ DM490 - Drill Mount ¹ ■ DM3120 - Drill Mount ² ■		PP - Prime Paint GLV - Galvanized PDR - Thermoset Polyester Powder			

¹DM290, DM390, DM490 require TN278 and T490 adapter
²DM3120 requires TN278 and T3120 adapter
³Specify coupling location