



DWH-LED Industrial/Vapor Tight LED

IMPORTANT SAFETY INSTRUCTIONS

1. Read carefully before installing fixture. Retain for future reference.

WARNING To prevent electrical shock, turn off electricity at fuse box before proceeding.

2. Failure to follow instructions may result in serious injury or death.

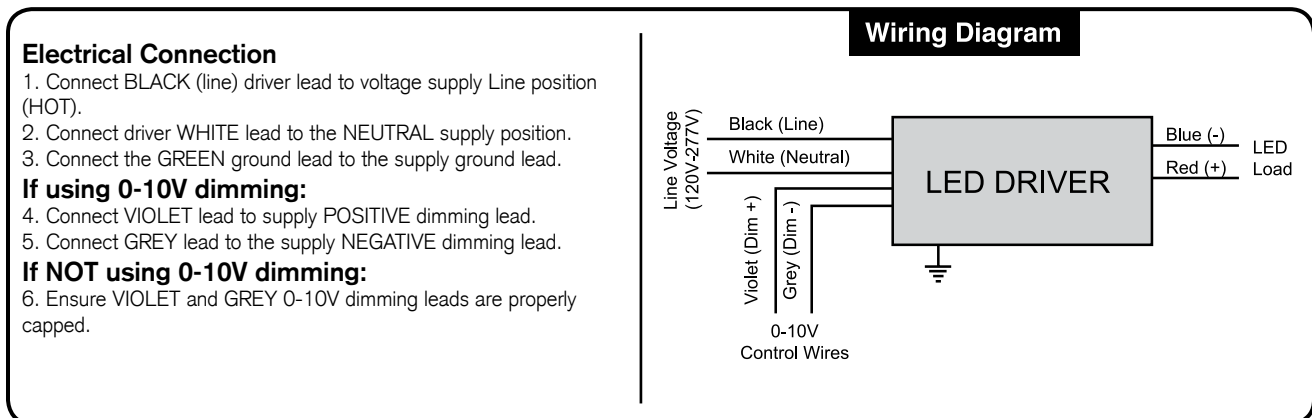
3. Upon receipt the fixture, thoroughly inspect for any freight damage which should be brought to the attention of the delivery carrier. Compare the catalog description listed on the package slip with the fixture label on the housing to assure you have received material.

4. This fixture must be wired in accordance with the international electrical code and applicable local codes and ordinances. Proper grounding is required to insure personal safety. Carefully observe the correct grounding procedure under installation section.

5. DECO luminaires may be damaged if connected to conduit systems containing water - Article 300-5G of National Electric Code requires that "Conduits or raceways through which moisture may contact energized live parts shall be sealed or plugged at either or both ends".

*Deco Lighting assumes no responsibility for claims arising out of improper or careless handling or installation of this product.

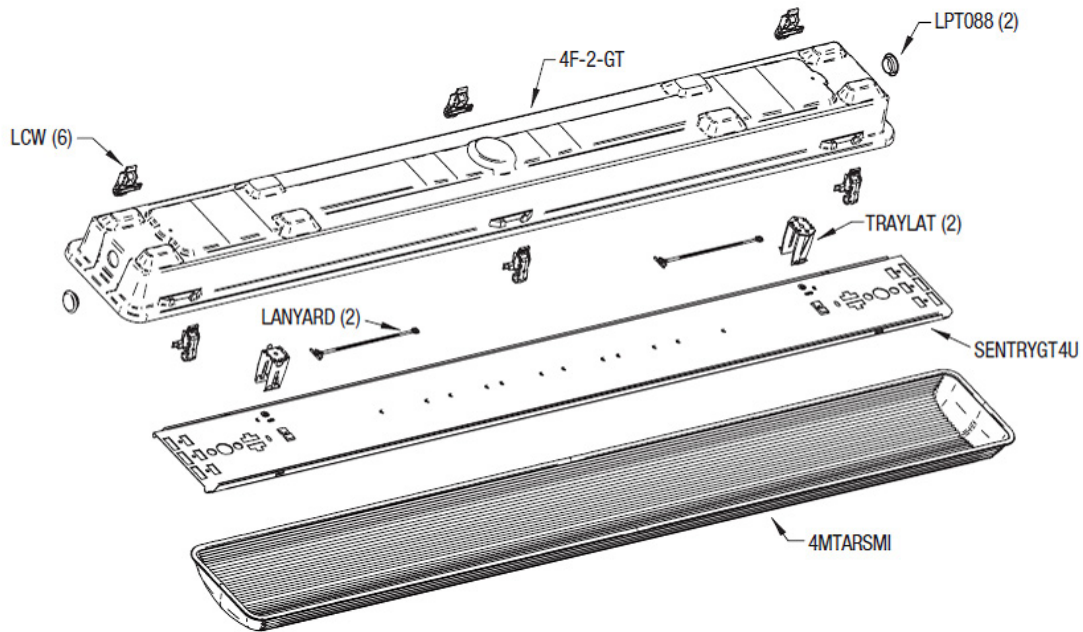
General Wiring Diagram





DWH-LED Industrial/Vapor Tight LED

Installation: Exploded View for Reference

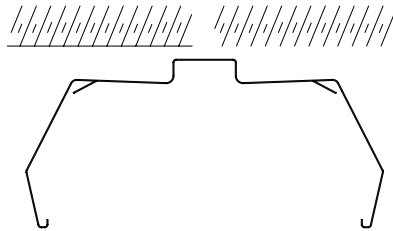
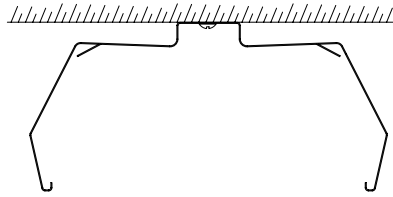


*1 set of (2) mounting brackets are included per 4' section

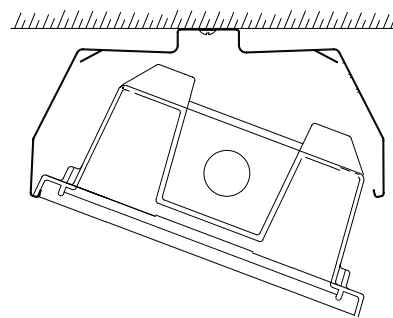


DWH-LED Industrial/Vapor Tight LED

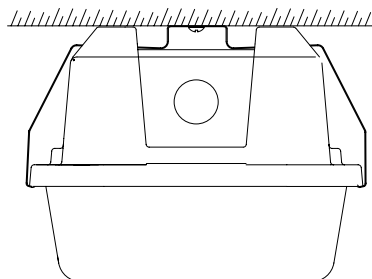
1. Locate drill holes for mounting brackets. Use hardware found in hardware kit. Mount bracket to surface.



2. Rotate Up and Snap other slide of housing into bracket.



3. Install Diffuser once unit is securely installed with brackets.

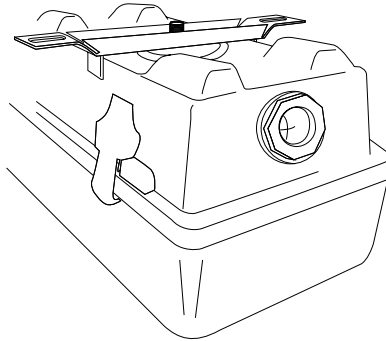




DWH-LED Industrial/Vapor Tight LED

Mounting Options:

Mounting bracket:



Chain & Hook by others:

