



DECO | LIGHTING

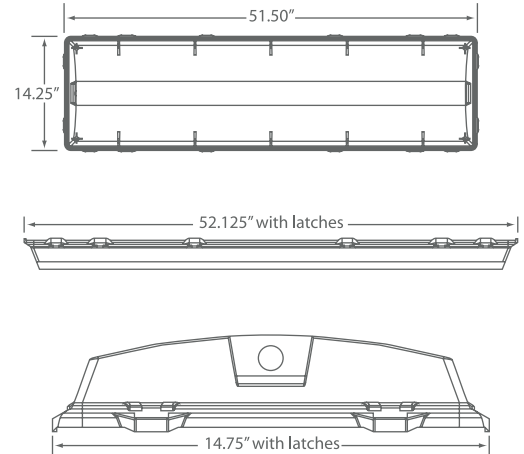
DWP-LED

Enclosed Vapor/Dust Proof Luminaire



Job Information

Type:	
Catalog #:	
Project:	
Comments:	
Prepared by:	



Description

The DWP series is a high quality LED enclosed luminaire specifically designed for long-term, element prone installations. The DWP features 0-10V dimming standard and consists of an internal steel geartray enclosed in durable fiberglass, quality paint finishes and superior electrical components. This luminaire is an excellent choice for food processing areas, car washes, cool storage areas, beverage and bottling facilities, exterior retail, construction sites, gymnasiums and locations subject to the elements.

Ordering Information

Example: (DWP-LED-150-40-UNV-A-EM)



Series	Wattage/Lumen	Color Temp.	Voltage	Diffuser	Option
Enclosed Vapor/Dust Proof Luminaire	100	100W/10875 ³	UNV 120-277V	PC Polycarbonate Lens A Acrylic Lens ²	CSC Control Scope Connected
	150	150W/16200 ^{2,3}			EM Emergency
	200	200W/21200 ³			MS Motion Sensor ¹
	300	300W/31500 ³			CM Ceiling Mount

¹ Utilizes Wattstopper FSP-211 sensor
² DLC Listed (Please view table on Page 3 for more info)
³ Delivered Lumens (5000K)



Deco Lighting practices a program of continuous product development, and as a result product specifications change frequently. We reserve the right to change product specifications without notice. Contact Deco for the latest product information.

©2016 Deco Lighting, www.getdeco.com T: (800) 613-DECO F: (310) 366-6855
 Rev Date: 1/13/17 #3

Digitize your light.®

Features

- Vandal resistant options are available.
- Prior to painting, all metal parts are treated with a multi-stage phosphate bonding process to ensure adhesion and inhibit rusting.
- All steel components are painted with a lighting grade baked white enamel, having a reflectance factor exceeding 87% for premium quality and durability.
- Stainless steel latches and mounting brackets standard.
- Housing is molded of one-piece impact resistant fiberglass reinforced polyester; self extinguishing, flame resistant and unaffected by many industrial chemicals.
- Continuous poured gasket is permanently bonded to the upper housing, forming a continuous tight seal with the diffuser.
- Stainless steel latches clamp the diffuser tightly to the housing.
- Knockouts are provided on ends for convenient installation.
- 0-10V dimming standard
- Acrylic diffuser is 100% impact resistant for longevity.
- Lens features clear bottom surface for maximum light transmission.
- NSF Approved for Splash and Non-food Zones.

Performance Data

CRI:	80+
CCT:	3000K, 3500K, 4000K, 5000K
Warranty:	10 yr. Limited Warranty
Dimming:	Available with 0-10V inputs dimming down to 10%
Operating Temperature:	-30° to +133°F Max Ambient
L70 Rating:	100,000+ Hours
IP Rating:	IP67
Sound Rating:	Class A (inaudible in a 24dB ambient environment)
Driver Current:	700mA

Delivered Light Output & Equivalency Chart

HID to LED Replacement		
DELIVERED LUMENS	HID	LED Replacement
1300lm	50W	10W
2600lm	70W	20W
3900lm	100W	30W
5200lm	150W	40W
7800lm	175W	60W
11700lm	250W	80W
15600lm	400W	120W
26000lm	750W	200W

Interested in upgrading from HID to LED lighting? Use the conversion table below to get a general idea of what wattage LED fixture will replace your current lighting system. Lumen output and overall performance will vary by fixture, so please contact our factory or your nearest sales rep regarding specific questions on what wattage will best suit your desired space and application.

Step Dimming & Bi-Level

FSP-211

The FSP-211 mounts in an outdoor lighting fixture and provides multi-level control based on motion. The sensor also includes a photocell to measure the ambient light level. It controls 0-10 VDC LED drivers or dimming ballasts, as well as non-dimming ballasts and, with an FSP-Lx Lens, is rated for wet and cold locations. All control parameters are adjustable via a wireless configuration tool capable of storing and transmitting sensor profiles.

Key Features

- Fully adjustable high and low dimmed light levels.
- Designed for LED fixtures; rated for extreme temperatures and up to 200,000 on/off cycles.
- Hold off setpoint with automatic calibration option for convenience and added energy savings.
- Adjustable via handheld wireless configuration tool.
- IP66 rated with choice of lenses for wet and outdoor locations, and mounting heights from 8' to 40'.
- Adjustable time delay and cut off delay.

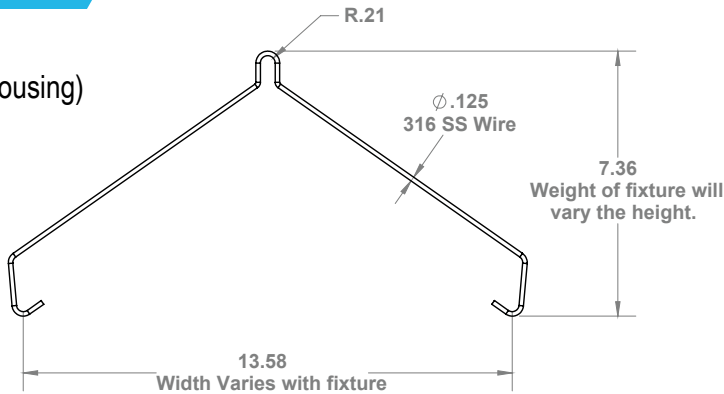


DLC Listing

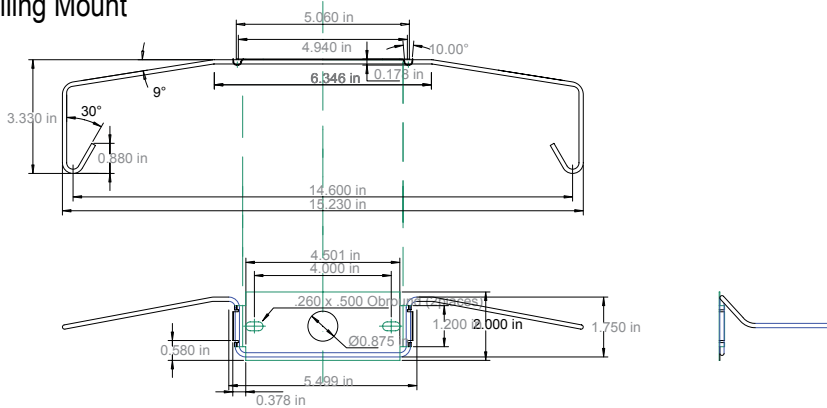
Acrylic Lens	
150W	
3000K	X
4000K	X
5000K	X

Mounting Options

V-Hook
(Standard with housing)



CM- Ceiling Mount



Step Dimming & Bi-Level

FSP-211B-D

The FSP-2x1B is a family of passive infrared (PIR) outdoor sensors that raise or lower the electric lighting level to high, low or off based on motion and/ or daylight contribution. Typically, once the sensor stops detecting movement and the time delay elapses, lights will first fade to low mode, and eventually switch off. When motion is detected, the sensor ramps the light level to high mode unless the daylight contribution is sufficient.

The integral photocell can also switch the lights on and off for dusk to dawn control, so that lighting remains on overnight even without motion detection.

The sensors control 0-10VDC or nondimming LED drivers or ballasts. The low voltage FSP-201B may be used with dim-to-off drivers or ballasts.

Initial setup and subsequent sensor adjustments are made using a Wireless Handheld Configuration Tool (FSIR-100). This tool enables adjustment of sensor parameters including high/low mode, sensitivity, time delay, cut off and more.

The FSIR-100 can read current parameter settings, and stores up to six sensor parameter profiles to speed commissioning of multiple sensors.

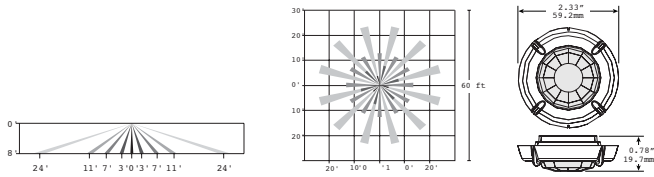
The FSP-2x1B family is available in three configurations for mounting inside a fixture, to the outside of a fixture or enclosure via a 1/2" knockout, or to a pole.



Coverage & Dimensions

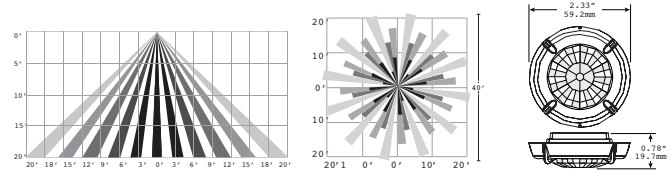
The FS-Lx lenses work with FSP-211 motion sensors to provide multi-level lighting control based on motion and the ambient light level. Four lens choices provide flexibility for varying mounting heights.

FSP-L2



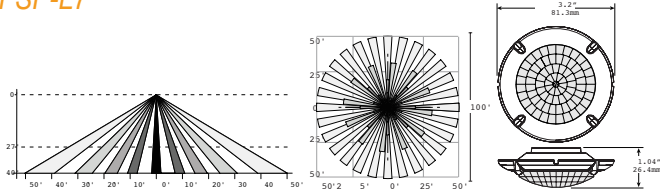
360° lens, maximum coverage 48' diameter from 8' height

FSP-L3



360° lens, maximum coverage 40' diameter from 20' height

FSP-L7



360° lens, maximum coverage 100' diameter from 40' height