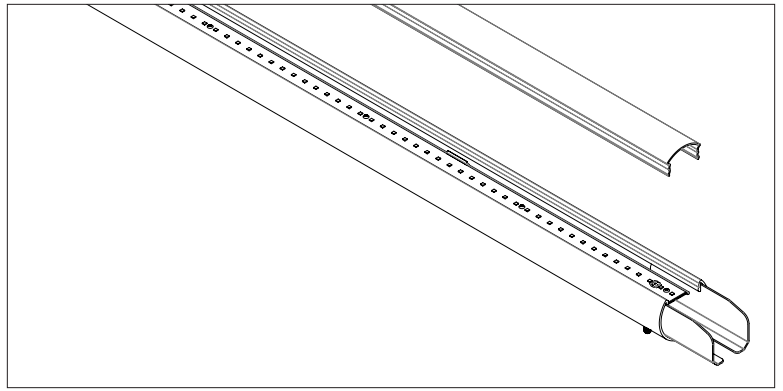
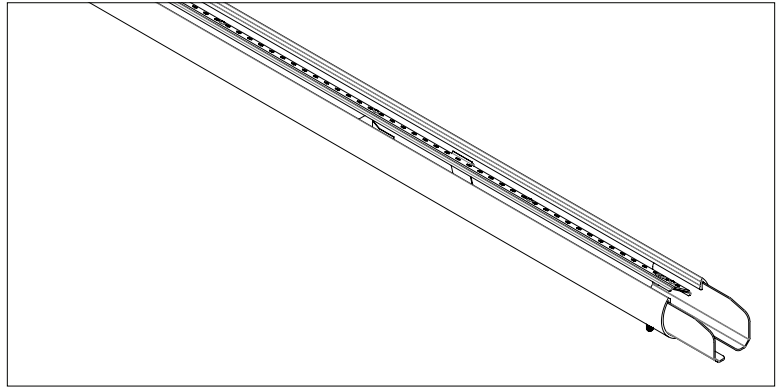


STEP ONE

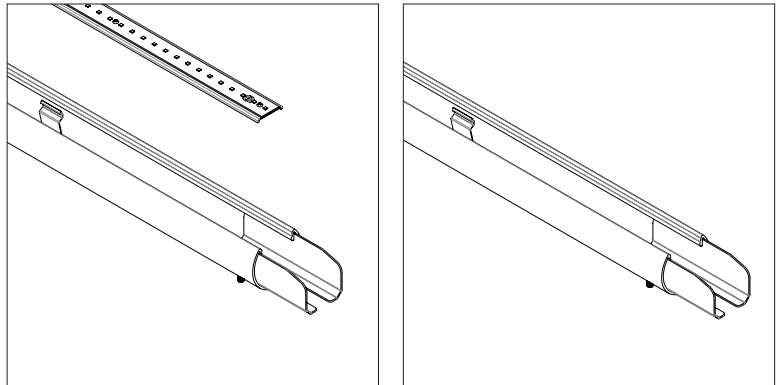
Begin by removing the lens from your first of run by pulling upwards on the sides of the lens.

**STEP TWO**

Remove the LED board closest to the join by using a tool such as a small screwdriver to gently push the board to the side, and upward until it is free from the clips.

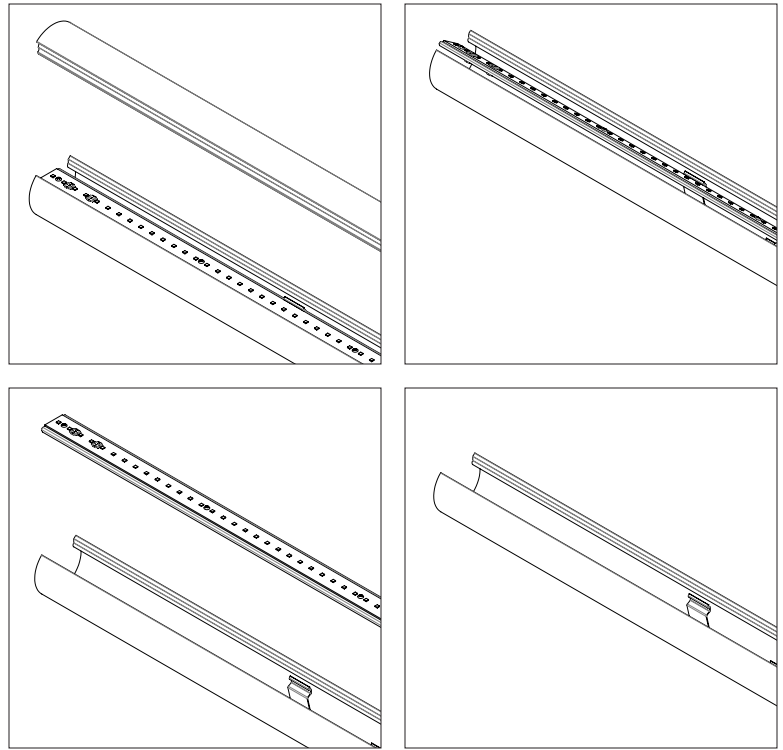
**STEP THREE**

Pull upward on the LED board to remove it from the fixture housing, and disconnect the orange 2-position wire disconnect (not shown). Place the LED board with the LEDs facing up as to not damage the LEDs.

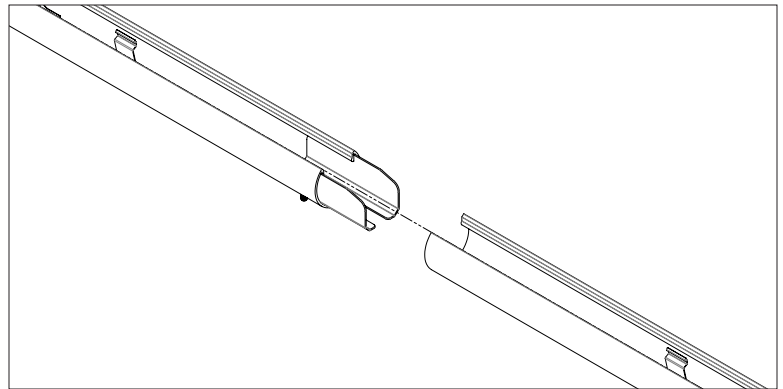


STEP FOUR

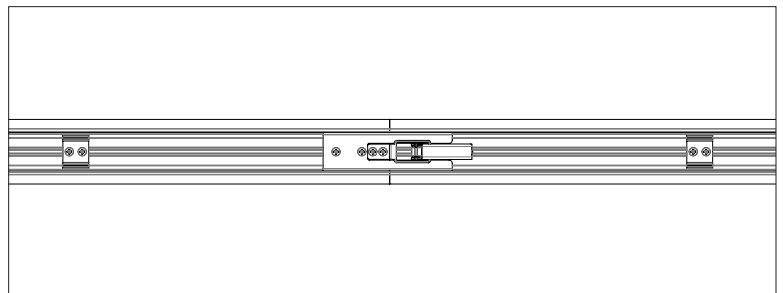
Repeat steps 1 through 3 for the next fixture in your continuous run.

**STEP FIVE**

Align the 2 housings and slide the joiner from the first housing into the second housing.

**STEP SIX**

Secure the join by closing the draw latch in the second housing around the latch keeper in the first housing.

**STEP SEVEN**

Connect the white 6-position wire disconnect from the first housing to the next (not shown) and tuck the wires into the housing as to not interfere with the LED boards.

STEP EIGHT

Reconnect the orange 2-position wire disconnect between the first driver and LED board. Check the rear side of the LED board to ensure the red and blue wires did not become disconnected from the LED boards during the disassembly process. If they have, simply insert the wire(s) back into the wire harness on the rear side of the LED board.

Important Note

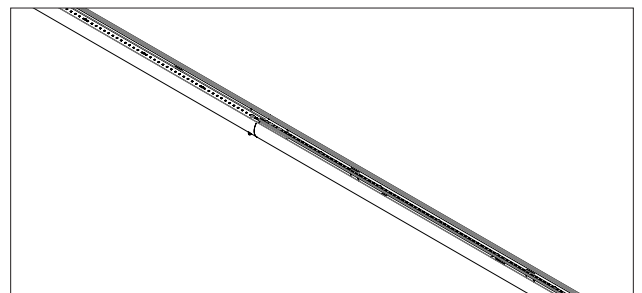
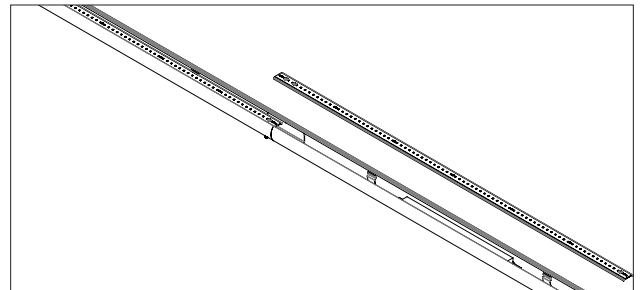
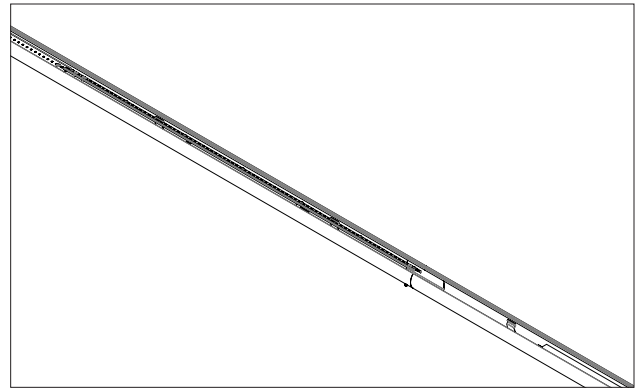
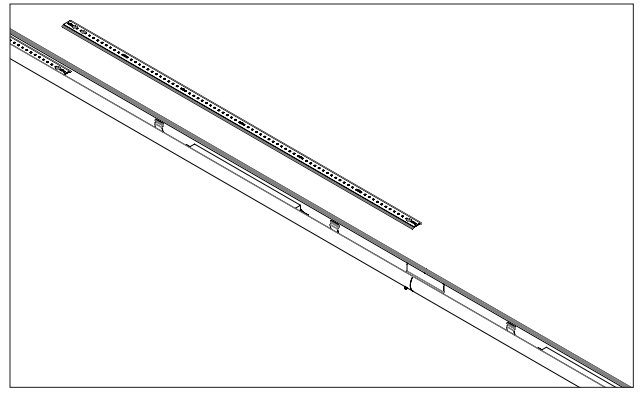
On a small batch of LED boards from the initial run, the + and – icons were printed incorrectly on the rear side of the LED board. See the FRONT side of the LED board for the correct + and – terminal.

STEP NINE

Angle the LED board into one side of the LED clips and press towards the side of the housing to allow clearance between the LED board and the other side of the LED clips. Users may find a tool such as a small screwdriver useful to spread the clips apart in order to allow the LED board to slide back into the clips.

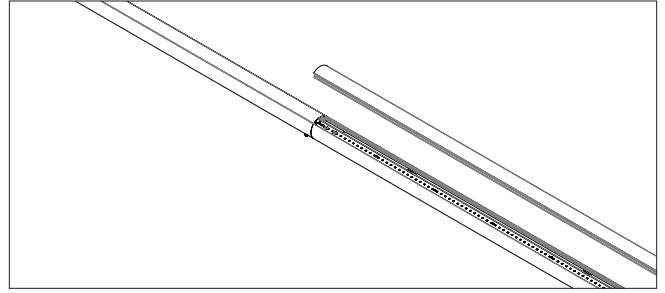
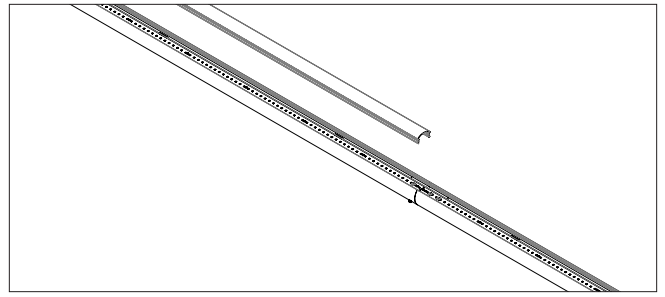
STEP TEN

Repeat steps 8 and 9 for the LED board in the next housing.



STEP ELEVEN

Reinstall the lenses into the first and second housings, respectively.

**STEP TWELVE**

It is helpful to test the newly completely assembly before installing the fixture to ensure that all internal wire connections were successfully made.

