



## EVIAN TUBE PENDANT Interior Ambient LED Luminaire

### IMPORTANT SAFETY INSTRUCTIONS

1. Read carefully before installing fixture. Retain for future reference.

2. Failure to follow instructions may result in serious injury or death.

3. Upon receipt the fixture, thoroughly inspect for any freight damage which should be brought to the attention of the delivery carrier. Compare the catalog description listed on the package slip with the fixture label on the housing to assure you have received material.

4. This fixture must be wired in accordance with the National Electrical Code and applicable local codes and ordinances. Proper grounding is required to insure personal safety. Carefully observe the correct grounding procedure under installation section.

5. DECO luminaires may be damaged if connected to conduit systems containing water - Article 300-5G of National Electric Code requires that "Conduits or raceways through which moisture may contact energized live parts shall be sealed or plugged at either or both ends".



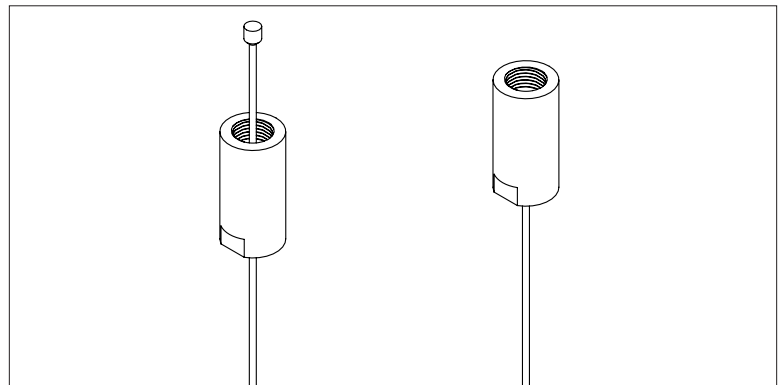
**To prevent electrical shock, turn off electricity at fuse box before proceeding.**

\*Deco Lighting assumes not responsibility for claims arising out of improper or careless handling or installation of this product.

### INSTALLING THE MOUNTS

#### HELPFUL NOTE

Begin by removing the lens from your first of run by pulling upwards on the sides of the lens.



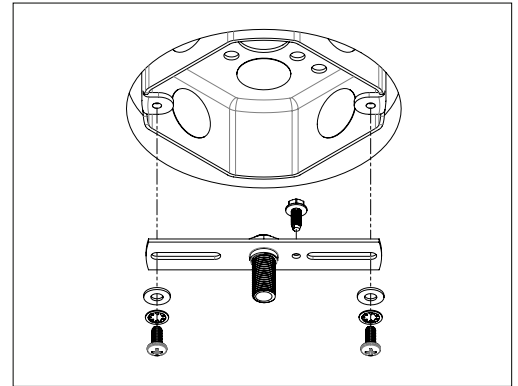


## EVIAN TUBE PENDANT Interior Ambient LED Luminaire

### STEP ONE

Prepare the Powerfeed Canopy for Installation

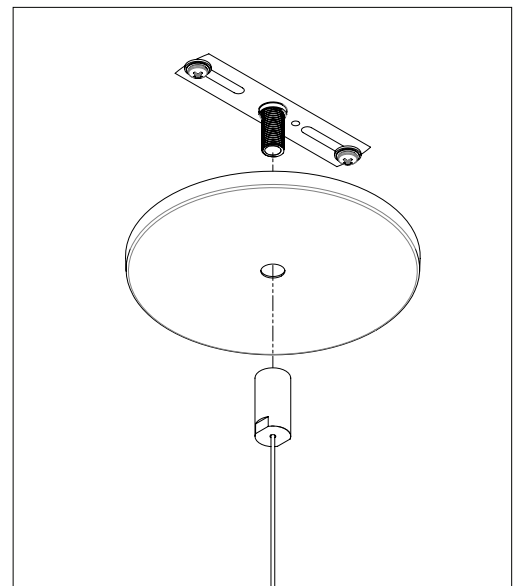
1. Use (2) #8-32 Screws, (2) Lock Washers, and (2) Flat Washers to fasten the included Junction Box Strap to the Junction Box.
2. Thread the included 1/8" IP Threaded Stem so that the bottom protrudes approximately 3/4" from the surface of the ceiling.
  - a. Retain the stem using the included jam nut on the top side of the Junction Box Strap



### STEP TWO

Prepare the Non-Powerfeed Canopy for Installation

1. Securely fasten the Non-Powerfeed threaded stem so that the bottom protrudes approximately 3/4" from the surface of the ceiling.
  - a. Mechanical mounting provisions are not included by Deco Lighting. On-Site contractor is responsible for securely mounting the stem so that it securely supports the weight of the luminaire and necessary hardware.
2. Round the Non-Powerfeed Canopy (1 Hole) over the stem, and secure the canopy in place by threading the Cable Coupler and suspension cable onto the protruding 1/8" IP Threaded Stem.
  - a. Tight enough to ensure a secure fit, but not tight enough to damage and deform the canopy.



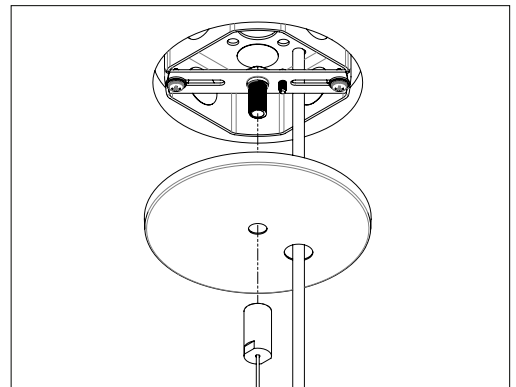
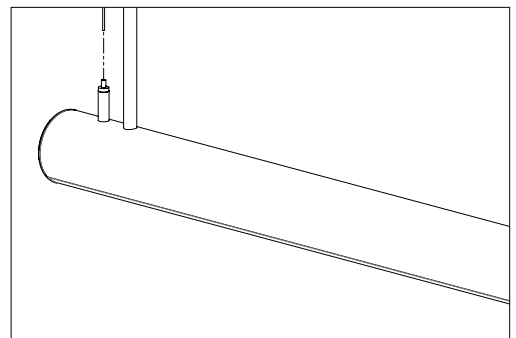
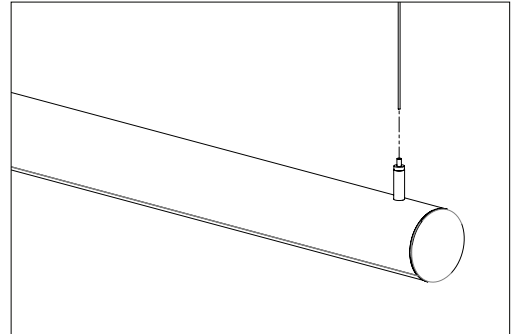


## EVIAN TUBE PENDANT Interior Ambient LED Luminaire

### STEP THREE

Suspend the Luminaire

1. Loosen the top portion of the included cable gripper (on the luminaire), depress this top portion, and feed the suspension cable into the top of the cable gripper.
  - a) Begin with the non-powerfeed side, which should already be fastened to the ceiling per previous step.
  - b) Repeat this step for the cable gripper on the Powerfeed side of the luminaire.
    - i) In the same step, feed the power cord from the luminaire through the non-centered hole of the Powerfeed Canopy (2 Holes).
2. Route the power cord up to the Junction Box and make all necessary electrical connections
  - a) Ground
  - b) Neutral
  - c) Line
3. Route the 1/8" IP Threaded Stem from the Junction Box strap through the center hole of the Powerfeed canopy.
  - a) Secure the canopy in place by threading the Cable Coupler and suspension cable onto the protruding 1/8" IP Threaded Stem



\*Tight enough to ensure a secure fit, but not tight enough to damage and deform the canopy

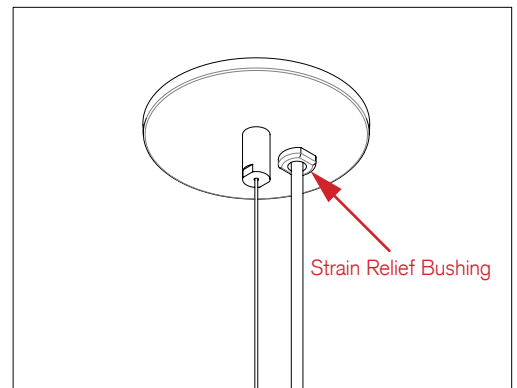


## EVIAN TUBE PENDANT Interior Ambient LED Luminaire

### STEP FOUR

Finish the Installation

1. Depress the top portion of each cable gripper (on luminaire) to adjust the length of each cable until the luminaire sits level at the desire height.
2. Lock the cable length by tightening the top portion of the cable grippers.
3. Secure the power cord within the powerfeed canopy by applying the included strain relief bushing around the power cord, and pressing into place on the powerfeed canopy.



4. Energize the work are to test the functionality of the luminaire.

